

EXPLODED DIAGRAM

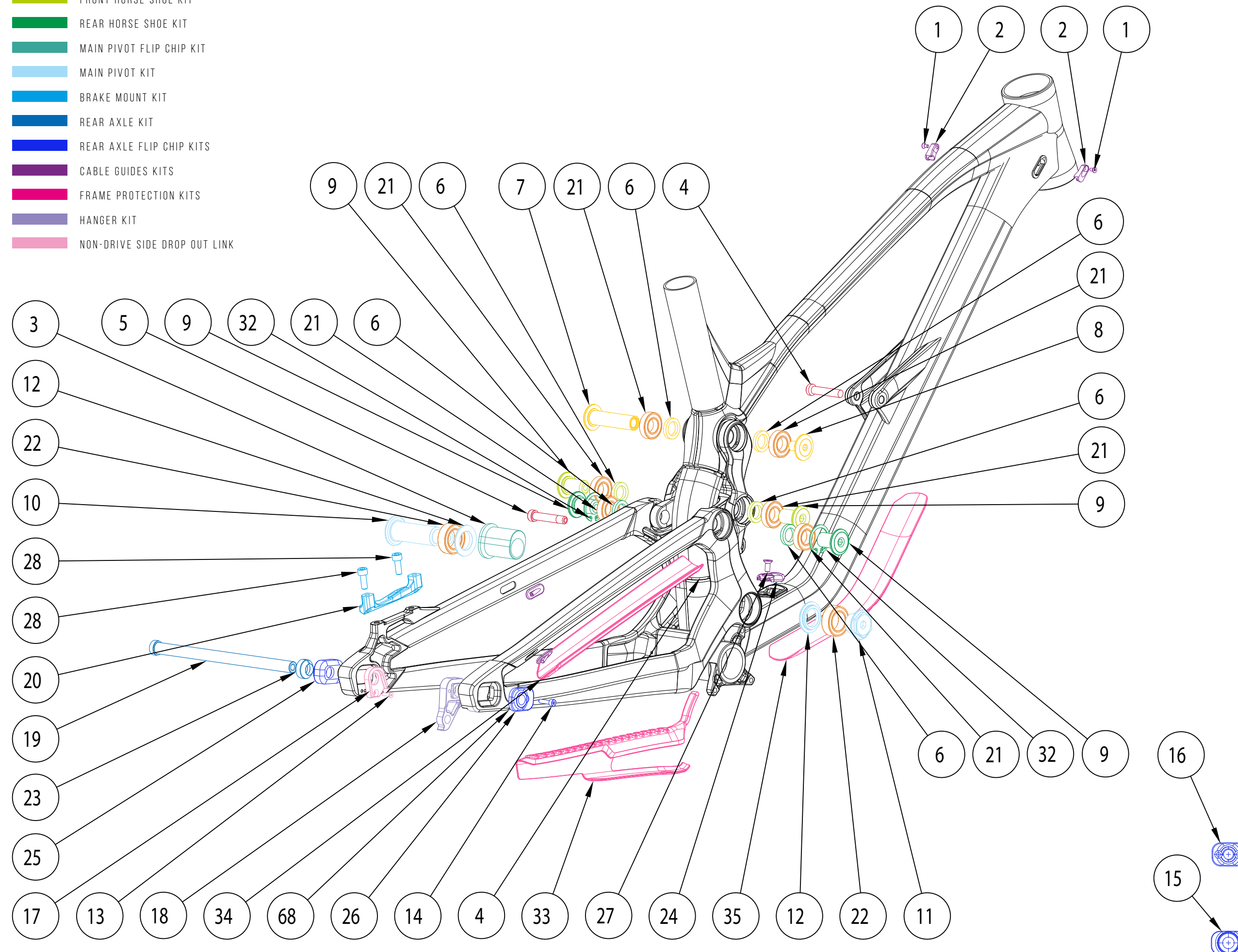
275

MATERIAL	HYDROFORMED 6061 TRIPLE-BUTTED ALUMINIUM
SIZE	S/M/L/XL
FORK TRAVEL	200MM
AXLE TO CROWN	585MM
FORK OFFSET	46MM
SHOCK TRAVEL	200MM
WHEELS SIZE	27.5"
MAX TYRE SIZE	2.5"
SHOCK SIZE	250X75MM
SHOCK HARDWARE F	25X8MM
SHOCK HARDWARE R	30X8MM
HEADTUBE	49MM SEMI-INTEGRATED
HEADSET	ZS49-28.6 / ZS49/40 -
BEARINGS REQUIRED	6X NP-90 (BB 6902 LLU MAX), 2X NP-91 (63804-2RS MAX)
SEATPOST	30.9MM
SEAT CLAMP	34.9MM
BB	THREADED 83MM BSA
REAR HUB	BOOST 157X12MM
REAR AXLE	NUKEPROOF M12X1.75 198MM
CHAIN GUIDE	ISCG05
BRAKE MOUNT	200MM DIRECT POST
PROTECTION	3D CONTOURED RUBBER FRAME PROTECTION FOR DT/SS/CS

290

MATERIAL	HYDROFORMED 6061 TRIPLE-BUTTED ALUMINIUM
SIZE	M/L/XL
FORK TRAVEL	200MM
AXEL TO CROWN	604MM
FORK OFFSET	56MM
SHOCK TRAVEL	190MM
WHEELS SIZE	29"
MAX TYRE SIZE	2.5"
SHOCK SIZE	250X70MM
SHOCK HARDWARE F	25X8MM
SHOCK HARDWARE R	30X8MM
HEADTUBE	49MM SEMI-INTEGRATED
HEADSET	ZS49-28.6 / ZS49/40
BEARINGS REQUIRED	6X NP-90 (BB 6902 LLU MAX), 2X NP-91 (63804-2RS MAX)
SEATPOST	30.9MM
SEAT CLAMP	34.9 MM
BB	THREADED 83MM BSA
REAR HUB	BOOST 157X12MM
REAR AXLE	NUKEPROOF M12X1.75 198MM
CHAIN GUIDE	ISCG05
BRAKE MOUNT	200MM DIRECT POST
PROTECTION	3D CONTOURED RUBBER FRAME PROTECTION FOR DT/SS/CS

- SHOCK BOLT KIT
- BEARING KIT
- SWINGLINK KIT
- FRONT HORSE SHOE KIT
- REAR HORSE SHOE KIT
- MAIN PIVOT FLIP CHIP KIT
- MAIN PIVOT KIT
- BRAKE MOUNT KIT
- REAR AXLE KIT
- REAR AXLE FLIP CHIP KITS
- CABLE GUIDES KITS
- FRAME PROTECTION KITS
- HANGER KIT
- NON-DRIVE SIDE DROP OUT LINK

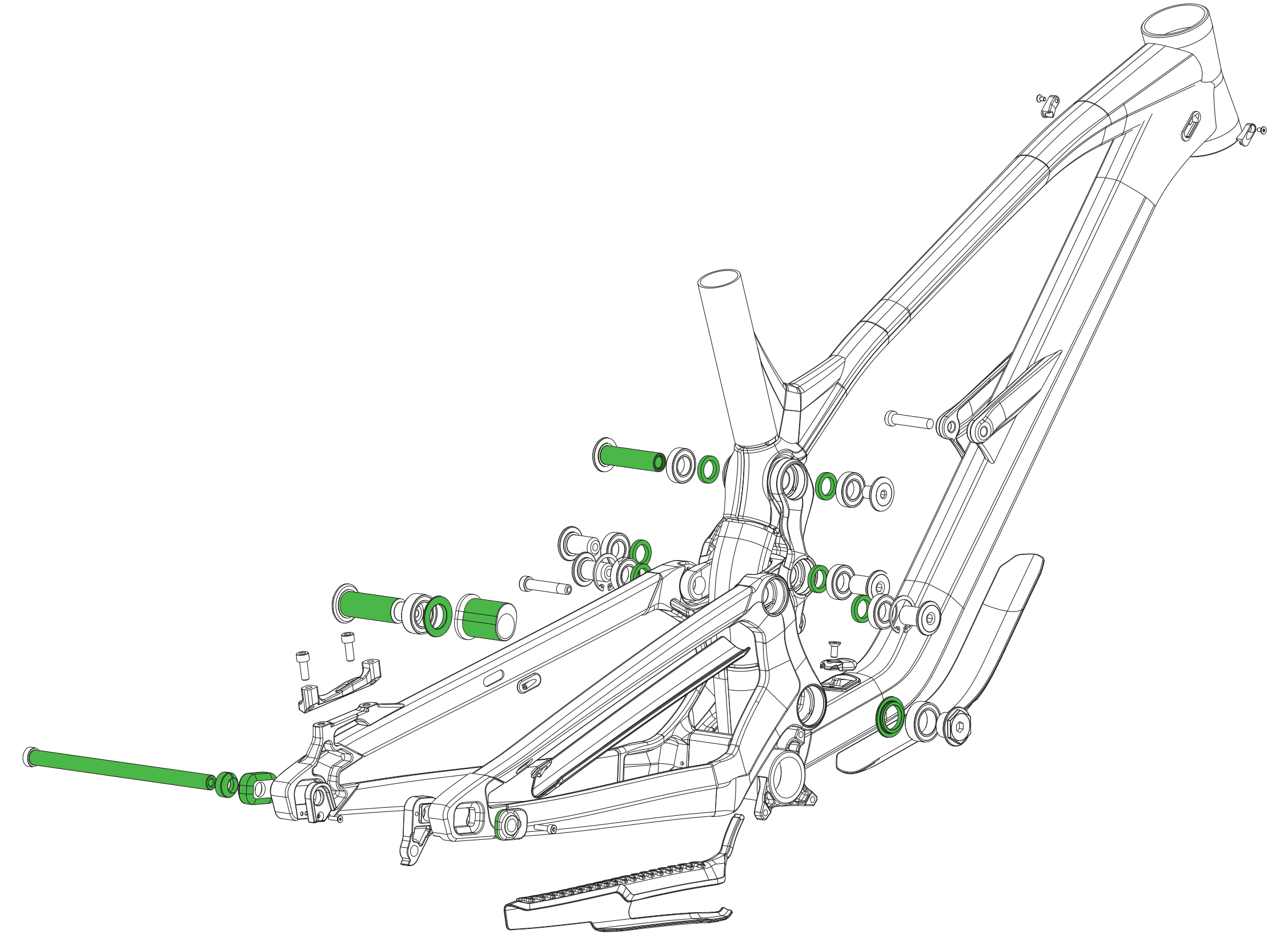
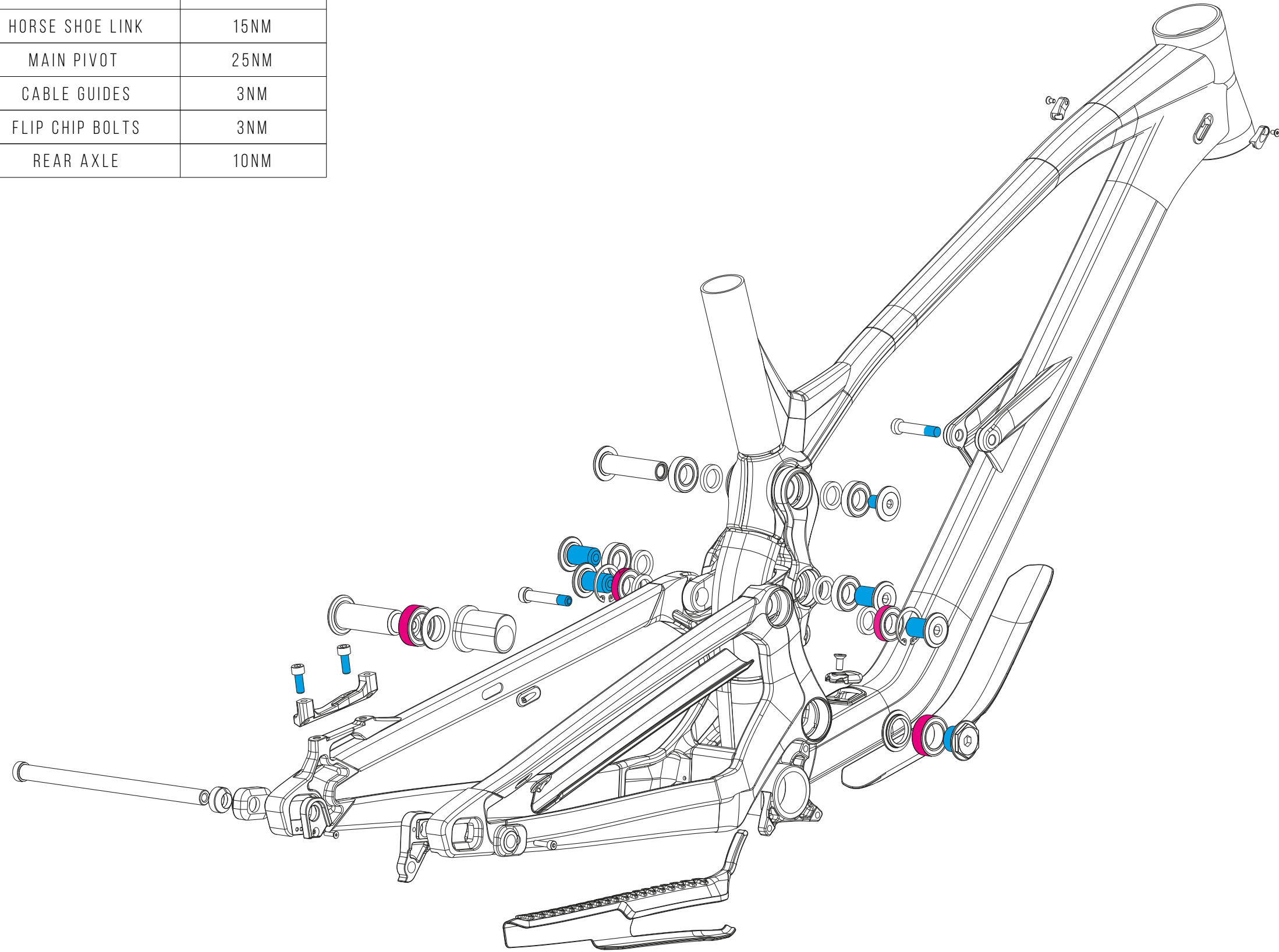




ITEM #	NUKEPROOF #	DESCRIPTION	QTY
1	NP-70	CABLE GUIDE BOLT	2
2	NP-71	METAL CABLE GUIDE	2
3	NP-72	MAIN PIVOT CLIP CHIP 2/3	1
4	NP-73	FRONT SHOCK BOLT	1
5	NP-74	REAR SHOCK BOLT	1
6	NP-75	SWING LINK WASHER	6
7	NP-76	SWING LINK AXLE	1
8	NP-77	SWING LINK BOLT	1
9	NP-78	HORSE SHOE BOLT	4
10	NP-79	MAIN PIVOT AXLE	1
11	NP-80	MAIN PIVOT BOLT	1
12	NP-81	MAIN PIVOT WASHER	2
13	NP-82	NON-DRIVE SIDE FLIP CHIP BOLT	1
14	NP-83	DRIVE SIDE FLIP CHIP BOLT	1
15	NP-84	NON-DRIVE SIDE FLIP CHIP MIDDLE	1
16	NP-85	DRIVE SIDE FLIP CHIP MIDDLE	1
17	NP-86	NON-DRIVE SIDE DROP OUT	1
18	NP-87	GEAR HANGER	1
19	NP-88	REAR AXLE	1
20	NP-89	BRAKE MOUNT ADAPTOR	1
21	NP-90	6902-2RS	6
22	NP-91	63804-2RS	2
23	NP-92	AXLE COMPRESSION WASHER	1
24	NP-93	DOWN TUBE CABLE GUIDE	1
25	NP-94	NON-DRIVE SIDE FLIP CHIP LONG/SHORT	1
26	NP-95	DRIVE SIDE FLIP CHIP LONG/SHORT	1
27	NP-96	DOWN TUBE CABLE GUIDE BOLT	1
28	NP-97	BRAKE ADAPTOR BOLT	2
29	NP-98	1.5MM BRAKE ADAPTOP WASHER	2
30	NP-99	1MM BRAKE ADAPTOP WASHER	2
31	NP-100	MAIN PIVOT FLIP CHIP 1/4	1
32	NP-101	HORSE SHOE CIRCLIP	2
33	NP-102	CHAIN STAY PROTECTION	1
34	NP-103	SEAT STAY PROTECTION	1
35	NP-104	DOWN TUBE PROTECTOR	1
36	NP-105	CABLE GUIDE	2

275/290 - TORQUE AND GREASE DIAGRAMS

RECOMMENDED TORQUE VALUES

PART NUMBER	TORQUE
SHOCK BOLTS	15NM
UPPER SWING LINK	8NM
HORSE SHOE LINK	15NM
MAIN PIVOT	25NM
CABLE GUIDES	3NM
FLIP CHIP BOLTS	3NM
REAR AXLE	10NM



 THREADLOCK LOCTITE 243
 THREADLOCK LOCTITE 638

 GREASE