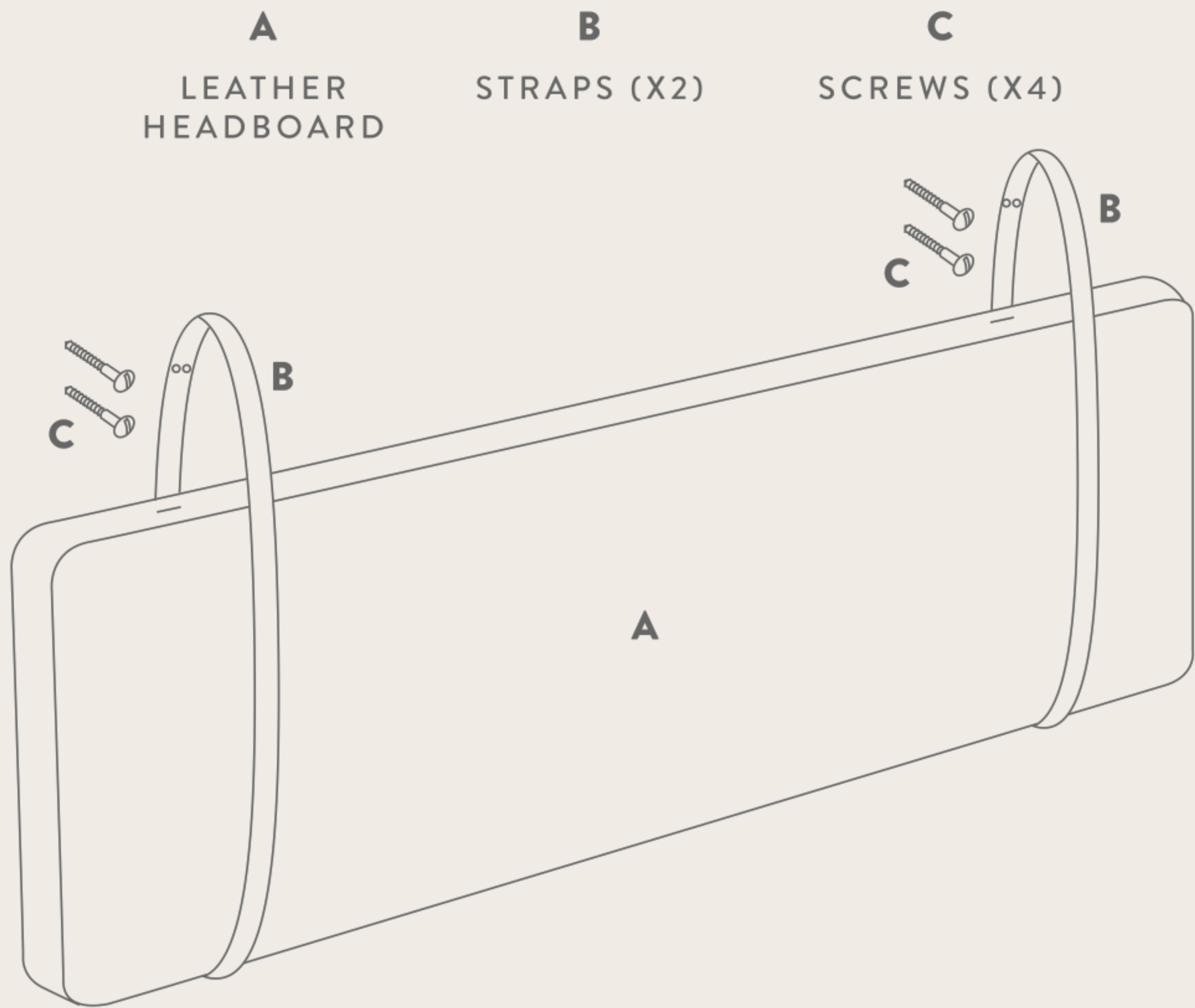




HOW TO HANG YOUR HEADBOARD

Your package includes 1 leather headboard, a pair of straps and 4 screws.
You will need to grab a ruler/measuring tape, power drill and a pencil to get started.



THE CITIZENRY

WWW.THE-CITIZENRY.COM

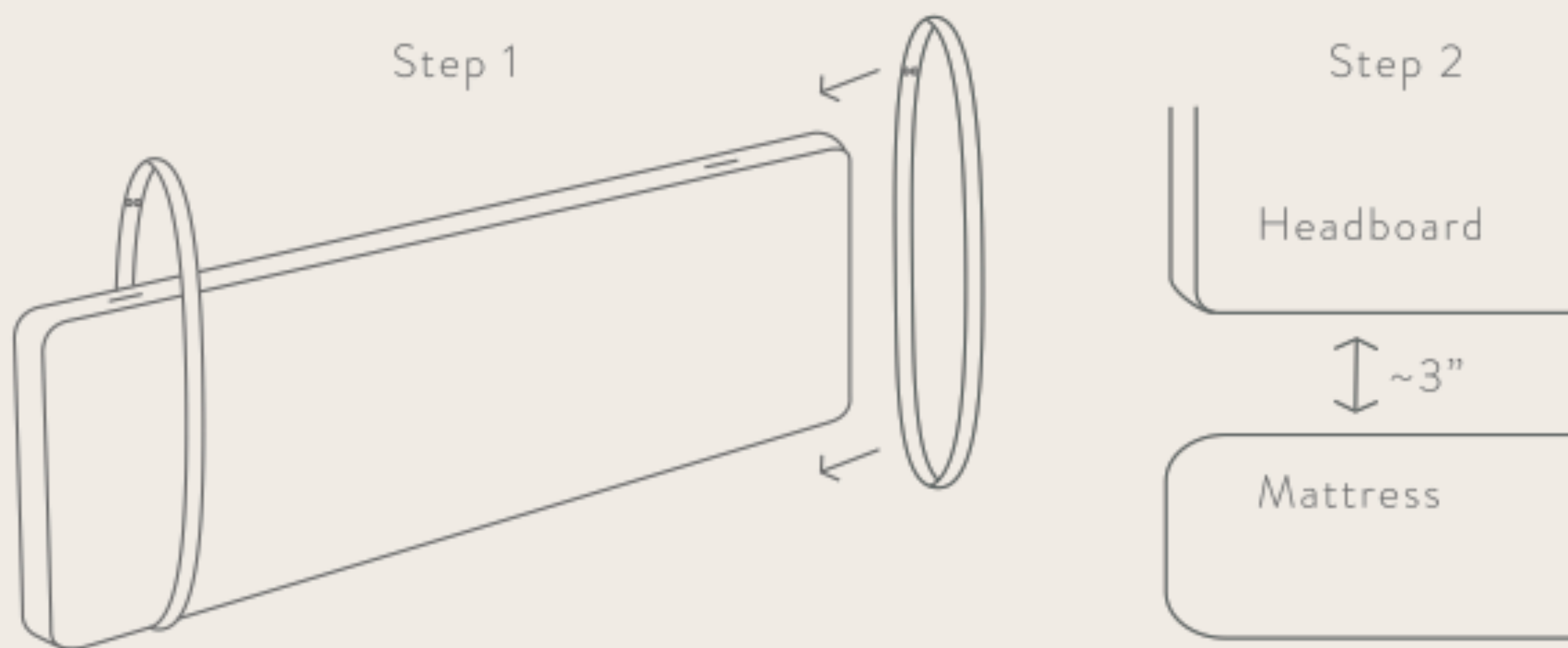
STEP-BY-STEP

STEP 1: ASSEMBLE PIECES

Insert headboard into straps, making sure the seams on the straps are at the back of the cushion. Line up the guiding stitches on the headboard with the straps for placement.

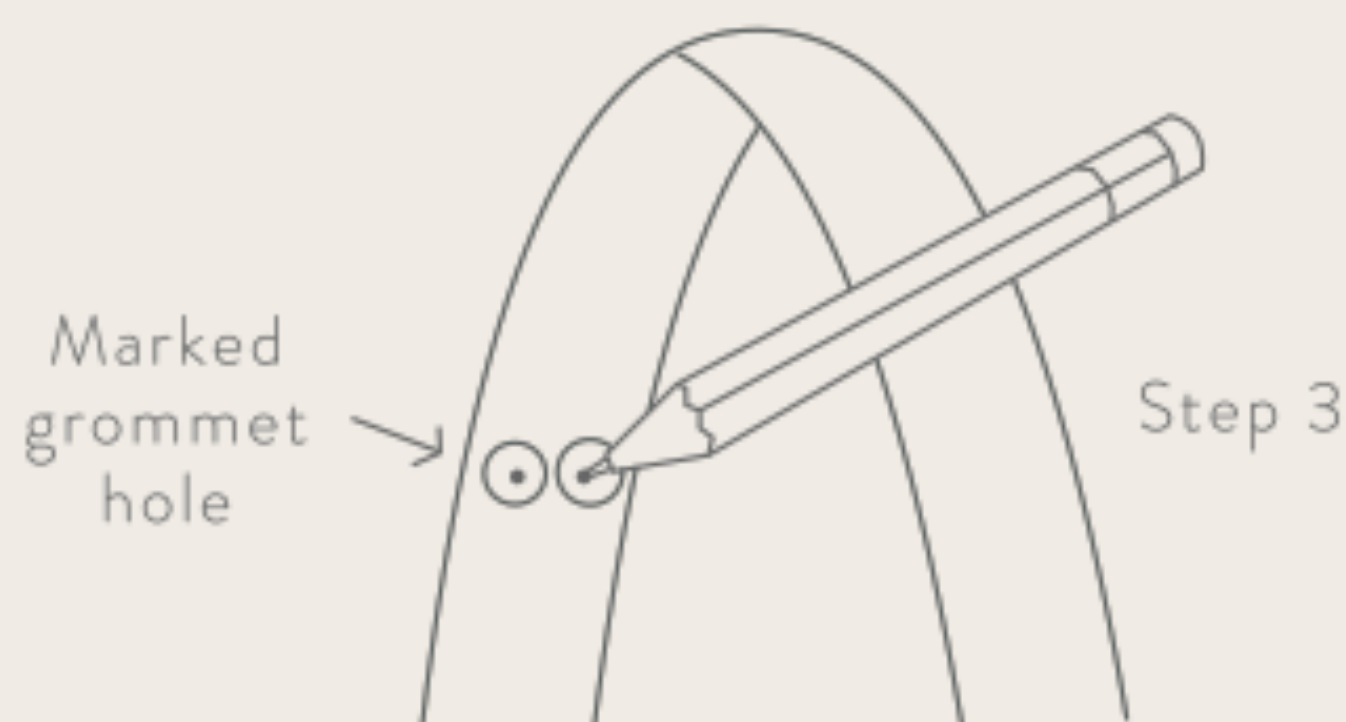
STEP 2: FIND PERFECT PLACEMENT

Grab a friend to help hold the headboard up by the straps to find the perfect placement. We recommend hanging the headboard about 3" above your mattress.



STEP 3: MARK THE GROMMET HOLES

After finding the perfect height, make sure the headboard is level before marking the two grommet holes on each strap with a pencil.



STEP 4: MOUNT STRAPS AND ASSEMBLE HEADBOARD

Remove the headboard from the straps before mounting. Using your pencil guides, attach the straps to the wall by drilling screws into the grommet holes. Once your straps are mounted, slide the headboard in and re-align the straps with the stitches on the back.

Questions? We're here to help.

1.866.356.4284 // assistant@the-citizenry.com.