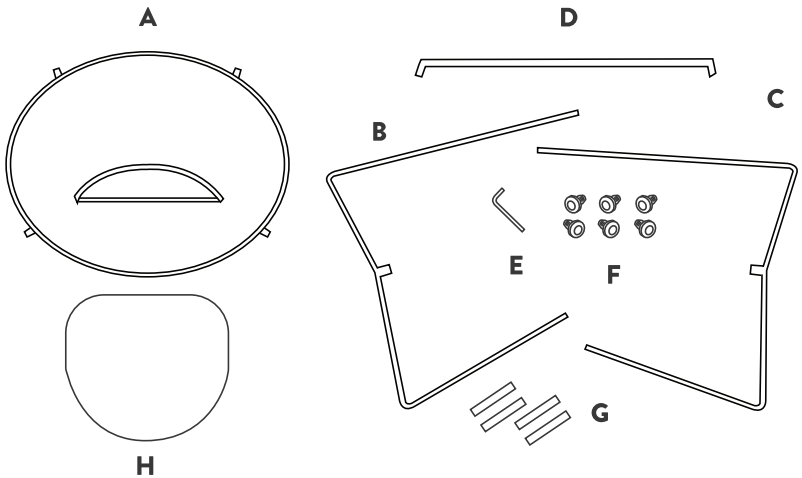




# HOW TO ASSEMBLE THE LEON OUTDOOR CHAIR

---

Before you get started, let's make sure you have everything you need. You should have received 1 seat (A), 2 legs (B & C), 1 steel bar (D), 1 hex wrench (E), 6 screws (F), 4 gliders (G), and 1 cushion (H). The only other thing you may need is a friend to help – trust us, it's a lot easier with an extra pair of hands!



## THE CITIZENRY

[WWW.THE-CITIZENRY.COM](http://WWW.THE-CITIZENRY.COM)

### STEP 1: CONNECTING FIRST LEG

Start with the seat (A) facedown on the ground – the holes should be facing you. Take leg (B) and place the long side in hole (1) of the seat (A). Then, place the short side of the leg (B) in hole (2). Next, slide the bar (D) into hole (3).

### STEP 2: CONNECTING SECOND LEG

Now, grab leg (C) and connect hole (4) to the bar. Then, slide the long side of leg (C) into hole (5) on the seat (A). Finally, slide the short side of leg (C) into hole (6) – heads up, this last one may take a little muscle!

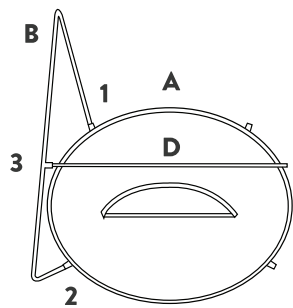
### STEP 3: BRINGING IT ALL TOGETHER

Flip the chair over to see if all the legs are even – if not, just shift the legs until they are the same height. Then, use the hex wrench (E) to secure the screws (F) in each hole.

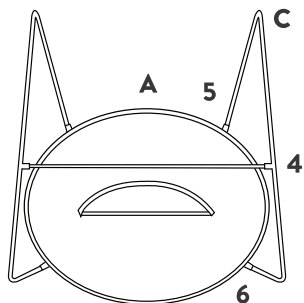
### STEP 4: FINISHING TOUCHES

Attach 2 gliders (G) on the base of each leg (B & C). Finally, add the cushion (H) by looping the Velcro straps around the bars of the seat (A). The curved edge of the cushion should face the outer edge of the chair.

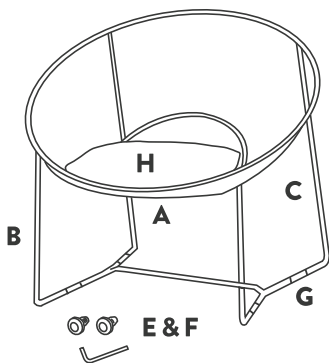
And just like that, you've got yourself a mighty fine (and super comfy) outdoor chair. Now, go on, post up poolside, and pour yourself a refreshing beverage. You've earned it.



STEP 1



STEP 2



STEP 3 & 4

Run into any questions? Give us a call at 1.888.356.4284

or send us a note at [assistant@the-citizenry.com](mailto:assistant@the-citizenry.com).