

Mini Portable Washing Machine

View this product on decogear.com



MODEL NO: DGWSHM01

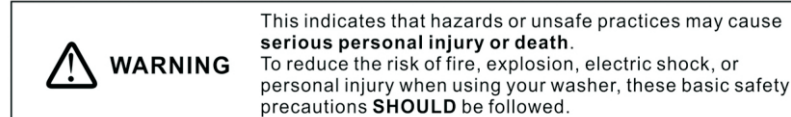
Important Safety Instructions

This manual contains important information on the installation, use, and care of your appliance. Please read this manual carefully before installation and operation of this machine to prevent injury and property damage.

WHAT YOU NEED TO KNOW ABOUT SAFETY INSTRUCTIONS

Warnings and Important Safety Instructions in this manual DO NOT cover all possible conditions and situations that may occur. It is your responsibility to use common sense, caution and care when installing, maintaining and operating your washer.

IMPORTANT SAFETY SYMBOLS AND PRECAUTIONS



Important Safety Instructions

⚠ WARNING

To reduce the risk of fire, electric shock, or injury to persons when using your appliance, follow basic precautions, including the following:

Basic Precautions

1. Read all instructions before using the appliance.
2. Use this appliance only for its intended purpose as described in this owner's Manual.
3. Before use, the washer must be properly installed as described in this manual.
4. ALWAYS follow the fabric care instructions supplied by the garment manufacturer.
5. Do not wash or spin articles that have been previously cleaned in, washed in, or spotted with gasoline, dry-cleaning solvents, other flammable or explosive substances as they give off vapors that could ignite or explode.
6. Do not allow children to play on or in the appliance. Close supervision of children is necessary when the appliance is used near children.
7. Before the appliance is removed from service or discarded, remove the lid of the washer to prevent children from climbing inside.
8. Do not reach into this appliance if this tub or agitator is moving.
9. Do not install or store this appliance where it will be exposed to the weather or freezing temperatures.
10. Do not tamper with the controls.
11. Do not repair or replace any part of the appliance or attempt any servicing unless it is specifically recommended in the user-maintenance instructions or in published user-repair instructions that you understand and have the skills to carry out.
12. Do not add gasoline, dry-cleaning solvents, or other flammable or explosive substances to the wash water. These substances give off vapors that could ignite or explode.
13. Under certain conditions, hydrogen gas may be produced in a hot water system that has not been used for 2 weeks or more.
14. HYDROGEN GAS IS EXPLOSIVE. If the hot water system has not been used for 2 weeks or more, before using a washer or combination washer-dryer, turn on all hot water faucets and let the water flow from each for several minutes. This will release any accumulated hydrogen gas. As the gas is flammable, do not smoke or use an open flame during this time.
15. Keep the area underneath and around your appliances free of combustible materials (lint, paper, rags, etc.), gasoline, chemicals and other flammable vapors and liquids.
16. Do not place items exposed to cooking oil in your washer. Items contaminated with cooking oils may contribute to a chemical reaction that could cause a load to catch fire.
17. Turn off the water faucets and unplug the washer if the machine is to be left for an extended period of time, such as during vacations.
18. Packaging material can be dangerous for children. There is a risk of suffocation! Keep all packages away from children.
19. Always check the inside of the washer for foreign objects before loading laundry. Keep the lid closed when not in use.

Important Safety Instructions

Installation Warnings and Precautions

1. Plug the power cord into an AC 120V/60Hz wall socket rated at 15amps or higher. Use the socket for this washer only.
2. Do not use an extension cord.
- Sharing a wall socket with other appliances, using a power strip, or extending the power cord may result in electric shock or fire.
- Do not use an electric transformer. It may result in electric shock or fire.
- Ensure that the power voltage, frequency, and current match the product's specifications. Failing to do so may result in electric shock or fire.
3. Have this appliance installed by a qualified technician or service company.
- Failing to do so may result in electric shock, fire, explosion, problems with the product, or injury.
4. Remove all foreign substances such as dust or water from the power plug terminals and contact points using a dry cloth on a regular basis.
- Unplug the power plug and clean it with a dry cloth.
- Failing to do so may result in electric shock or fire.
5. Plug the power plug into the wall socket in the right direction so that the cord runs towards the floor.
- If you plug the power plug into the socket in the opposite direction, the electric wires within the cable may be damaged and this may result in electric shock or fire.
6. Plug the power plug into the wall socket firmly. Do not use a damaged power plug, or loosen wall socket.
- This may result in electric shock or fire.
7. Do not pull or excessively bend the power cord.
8. Do not twist or lie the power cord.
9. Do not hook the power cord over a metal object, place a heavy object on the power cord, insert the power cord between objects, or push the power cord into the space behind the appliance.
- This may result in electric shock or fire.
10. Do not pull the power cord when unplugging the power plug.
- Unplug the power plug by holding the plug.
- Failing to do so may result in electric shock or fire.
11. If the power plug or power cord are damaged, contact your nearest service center.
12. This appliance must be properly grounded.
13. Do not install the appliance near a gas pipe, plastic water pipe, or telephone line.
- Improper grounding may result in electric shock, fire, explosion, or problems with the product.
- Never plug the power cord into a socket that is not grounded correctly. Make sure the socket you use is grounded in accordance with local and national codes.
14. Do not install the appliance near a heater or flammable material.
15. Do not install this appliance in a humid, oily, or dusty location, or in a location exposed to direct sunlight or water (rain drops).
16. Do not install this appliance in a location where gas may leak.
- This may result in electric shock or fire.
17. If the washer is moved to a new location, have it checked and re-installed by a qualified service technician.
- Failing to follow this warning may result in electric shock or fire.

Important Safety Instructions

Installation Warnings and Precautions

18. Do not install on carpet. Install washer on a level and solid floor that can support its weight.
- Failing to do so may result in abnormal vibrations, noise, or problems with the product.
19. The washer is heavy. Two or more people may be needed to install and move the appliance.
- Failing to do so may result in bodily or other injuries.
20. Store and install the washer where it will not be exposed to temperatures below freezing or exposed to outdoor weather conditions.
- Failing to do so may result in serious leak damage.
21. Position the appliance so that the power plug is easily accessible.
- Failing to do so may result in electric shock or fire due to electric leakage.
22. To reduce the risk of injury to persons, adhere to all industry recommended safety glasses.
- Failing to follow all of the safety warnings in this manual may result in property damage, or injury to persons.

Usage and Maintenance Warnings and Precautions

1. If the appliance is flooded, cut the power immediately and contact your nearest service center.
2. If the appliance emits a strange noise, a burning smell, or smoke, unplug the power plug immediately and contact your nearest service center.
- Failing to do so may result in electric shock or fire.
3. In the event of a gas leak (such as propane gas, LP gas, etc.), ventilate the area immediately. Do not turn any appliance or light on or off.
- Do not use a ventilating fan.
- A spark may result in an explosion or fire.
4. Do not wash items contaminated with gasoline, kerosene, benzene, paint thinner, alcohol, dry cleaning detergent or other flammable or explosive substances.
- This may result in electric shock, fire, or an explosion.
5. Do not force the washer lid open while the washer is operating (high-temperature washing / drying / spinning).
- Water flowing out of the washer may cause burns or cause the floor to be slippery. This may result in injury.
- Forcing the lid open can damage the product or cause injury.
6. Make sure to remove the packaging (sponge, styrofoam) attached to the bottom of the washer before using it.
7. Do not insert your hand or a metal object under the washer.
- This may result in injury.
8. Do not attempt to operate this appliance if it is damaged, malfunctioning, partially disassembled, or has missing or broken parts, including a damaged cord or plug.
- This may result in electric shock, fire, or death.
9. Do not touch the power plug with wet hands.
- This may result in electric shock.
10. Do not turn the appliance off by unplugging the power plug while the washer is in operation.
- Plugging the power plug into the wall socket again may cause a spark and result in electric shock or fire.
11. Keep all packaging material well out of the reach of children, as packaging materials can be dangerous to children.
- If a child places a bag over its head, it may suffocate.

Important Safety Instructions

Usage and Maintenance Warnings and Precautions

12. Do not let children or infirm persons use this washer unsupervised.
- Failing to do so may result in electric shock, burns or injury.
13. Do not attempt to repair, disassemble, or modify the appliance yourself!
- Do not use any fuse (such as copper, steel wire, etc.) other than the standard fuse.
- If you need to repair or reinstall the appliance, contact your nearest service center.
- Failing to do so may result in electric shock, fire, problems with the product, or injury.
14. If any foreign substance such as water enters the appliance in any area other than the tub, unplug the power plug and contact your nearest service center.
- Failing to do so may result in electric shock or fire.
15. If the water supply hose comes loose from the faucet and floods the appliance, unplug the power plug.
- Failing to do so may result in electric shock or fire.
16. Do not mix chlorine bleach with ammonia or acids such as vinegar.
- Incorrect usage can produce poisonous gas, resulting in serious injury.
17. Do not reach into the washer while parts are moving. Before loading, unloading, or adding items, press the START/PAUSE button and allow the basket to come to a complete stop before reaching inside.
- Failing to do so may result in electric shock, injury or fire.
18. Do not allow children to play on or in the washer. Close supervision of children is necessary when the washer is used near children. As children grow, teach them the proper, safe use of all appliances.
- Failing to do so may result in serious injury to persons.
19. Keep laundry products out of children's reach. Observe all warnings on product labels and follow instructions.
- Failing to do so may result in serious injury to persons.
20. Disconnect this appliance from the power supply before attempting any user maintenance. Turning the controls to the OFF position does not disconnect this appliance from the power supply.
- Failing to do so may result in electric shock, injury or fire.
21. Do not clean the appliance by spraying water directly onto it.
22. Do not use benzene, thinner, or alcohol to clean the appliance.
- This may result in discoloration, deformation, damage, electric shock or fire.
23. Unplug the power plug when the appliance is not being used for long periods of time or during a thunderlightning storm.
- Failing to do so may result in electric shock or fire.
24. Keep hands and foreign objects clear of the lid when closing the lid.
- Failing to do so may result in personal injury.

Important Safety Instructions

Usage and Maintenance Warnings and Precautions

25. If the washer is contaminated by a foreign substance such as detergent, dirt, food waste, etc., unplug the power plug and clean the washer with a damp, soft cloth.
26. The clear portion of the lid can be broken by a strong impact. Take care when using the washer.
- If the clear portion is cracked or broken, it may result in injury 27. After a water supply failure or when reconnecting the water supply hose, open the faucet slowly.
28. Open the faucet slowly after a long period of non-use.
- The air pressure in the water supply hose or the water pipe may result in damage to a part or in water leakage.
29. If a drain error occurs during an operation, check if there is a draining problem.
- If the washer is used when it is flooded because of a draining problem, it may result in electric shock or fire due to electric leakage.
30. Do not insert your hand or a metal object under the washer.
- This may result in injury.
31. Insert the laundry into the washer completely so that laundry does not get caught in the lid.
- If laundry gets caught in the lid, it may result in damage to the laundry or the washer, or result in water leakage.
32. Ensure that the faucet is turned off when the washer is not being used.
- Ensure that the water supply hose connectors are properly tightened.
- Failing to do so may result in property damage or injury.
33. Open the faucet and check if the water supply hose connector is firmly tightened and that there is no water leaking before using the product.
- If the water supply hose connectors are loose, it may result in water leakage.
34. Do not stand on top of the appliance or place objects (such as laundry, lit candles, lit cigarettes, dishes, chemicals, metal objects, etc.) on the appliance.
- This may result in electric shock, fire, problems with the product, or injury.
35. Do not operate the appliance with wet hands.
36. Do not spray volatile material such as insecticide onto the surface of the appliance.
- As well as being harmful to humans, it may also result in electric shock, fire, or problems with the product.
37. Do not place an object that generates an electromagnetic field near the washer.
- This may result in injury due to a malfunction 38. Since the water drained during a high temperature wash or drying cycle is hot, do not touch the water.
- This may result in burns or injury.
39. Do not wash spin, dirty water-proof seats, mats, or clothing.
- Do not wash thick, hard mats even if the washer mark is on the care label. This may result in injury or damage to the washer, walls, floor, or clothing due to abnormal vibrations.
40. Do not operate the washer when inner-rinse hose is removed.
- This may result in electric shock or injury due to water leakage.
41. Do not place any non-laundry objects, such as shoes, food waste, or animals into the washer.
- This can cause abnormal vibrations that can damage the washer, and, in the case of pets, cause severe injury or death.
42. Do not press the buttons using sharp objects such as pins, knives, fingernails, etc.
- This may result in electric shock or injury.

Important Safety Instructions

Usage and Maintenance Warnings and Precautions

43. Do not wash laundry contaminated by oils, creams, or lotions usually found in skincare shops or massage clinics.
- This may result in the rubber seal becoming deformed and water leakage.
44. Ensure that the water inlet pipe is connected and the tap is opened before washing clothes.
45. Do not leave metal objects (safety pins, hair pins, etc.) or bleach in the tub for long periods of time.
- This may cause the tub to rust.
- If rust appears on the surface of the tub, apply a neutral cleansing agent to the surface and use a sponge to clean it. Never use a metal brush.
46. Do not use hot water from water cooling/heating devices.
- This may result in problems with the washer.
47. Do not use natural hand-washing soap in the washer.
- If it hardens and accumulates inside the washer, it may cause problems with the product (discoloration, rust, or bad odors).
48. Do not wash large laundry items such as bedding in the washing net.
- Failing to do so may result in injury due to abnormal vibrations.
- Place smaller items, such as lace socks and lingerie in the washing net.
49. Do not use hardened detergent.
- If it accumulates inside the washer, it may result in water leakage.
50. Do not wash throw rugs or doormats.
- If you wash throw rugs or doormats, the sand will accumulate inside the washer. It may result in error such as no draining.
51. The washer only for cold water.
- Failing to do so may result in washer broken

SAVE THESE INSTRUCTIONS

Product Features

1. Stylish design, small size, easy to move
2. Save water, electricity, and space
3. High quality plastic outer shell that never rusts!
4. Durable and affordable
5. Washing is effective and your clothes get cleaned!

WARNING

To reduce the risk of fire, electric shock, or injury, read the IMPORTANT SAFETY INSTRUCTIONS before operating this appliance.

OPERATION STEPS

1. Directly connect tap and inlet to inject water or manually add water
2. Hang drain pipe up when washing and lower in a downward angle when draining the washer
3. Low foaming detergents are recommended for use. Do not add too much detergent.
4. Add up to 4.4 lbs of clothes.
5. Do not touch the washing tub when in operation to avoid injury
6. Detergents and washing powders dissolve less easily when water temperatures are low. Add a small amount of warm water if necessary.
7. Once you're finished, it's good to leave the lid open to allow the inside to dry out.

SPIN CYCLE

1. Write out clothes to remove excess water. Then install the spin drum and add up to 4.4 lbs of wet clothes evenly spaced inside spin drum.
2. Set spin cycle settings and the washer will spin the drum.

PLEASE NOTE

Uneven clothing thrown in can make the machine become unbalanced. Just like larger household units, this portable washing machine is most effective when clothes are distributed evenly with care.

This machine features a built-in mechanism to stop the motor from overheating. If you overload the washing machine during wash or spin cycles, you may trip this motor brake designed to stop the motor to prevent damage. Always ensure you load the washing machine within designed weight limits. (You may encounter a rubber odor if the motor brake is engaged).

Precautions

1. Do not attempt to move or interfere with the machine when it is in operation.
2. Do not clean items that are damaged or can damage the washer.
3. Keep out of the reach of children – supervise when in use.
4. Do not use foam and clothing clogs at the bottom during use.

⚠ WARNING

- When using the product, make sure to place it on a hard level ground surface. The surface should be dry without accumulated water to prevent damage to the motor. Not doing so will lead to poor insulation, leak electricity, and influence the service life of the motor.
- Children must be under adult supervision to ensure they do not play with the machine.
- Do NOT place your hand in the barrel while the drum rotates to avoid finger injuries caught in clothing.



Product List

1. Washing machine
2. User's Manual
3. Power cord and Plug
4. Warranty Card

Product Model	DGWSHM01
NISZ output/ frequency	110 V-60Hz
Rated Power	250W
Product Net Weight	11.7lbs
Product Size	14.6x21inch

Regular Cleaning and Maintenance

⚠ WARNING

- To reduce the risk of fire, electric shock, or injury to persons, read and follow this entire Owner's Manual, including the Important Safety Instructions. Before operating this washer, unplug the washer before cleaning to avoid the risk of electric shock. Failure to follow this warning can cause serious injury, fire, electric shock, or death.
- Never use harsh chemicals, abrasive cleaners, or solvent to clean the washer. They will damage the surface of the washer.

• Cleaning the exterior

Turn off the water faucets after finishing the day's washing. This will shut off the water supply to your washer and prevent the unlikely possibility of damage from escaping water. Leave the lid open to allow the inside of your washer to dry out. Use a soft cloth to wipe up all detergent, bleach or other pills as they occur. Clean the following as recommended:
Control Panel - Clean with a soft, damp cloth. Do not use abrasive powders or cleaning pads. Do not spray cleaners directly onto the panel.

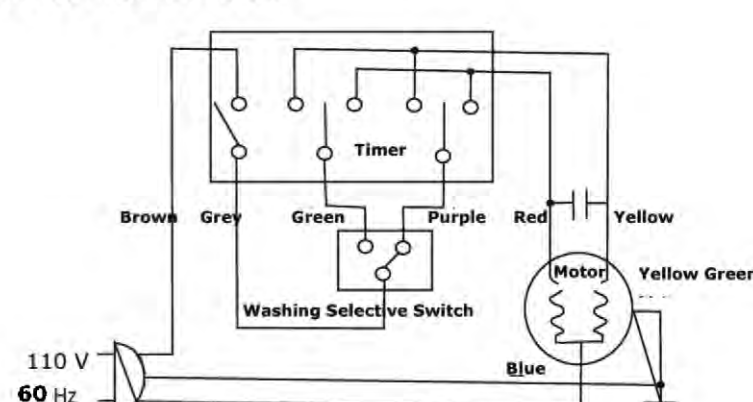
• Cleaning the interior

Clean the interior of your washer periodically to remove any dirt, soil, odor, mold, mildew, or bacterial residue that may remain in your washer as a result of washing clothes. Failure to follow these instructions may result in unpleasant conditions, including odors and/or permanent stains on your washer or laundry. Hard water deposits may be removed, if needed. Use cleaners labeled "Washer safe".

• Tub clean

Run the tub clean cycle with some bleach. Run the tub clean cycle once a month, or more often under heavy use conditions or if odor is present.

Electrical schematic



Troubleshooting

Symptom	Cause	Remedy
Slow rotation	excessive clothing placement	Reduce clothing
Drainage not smooth	The outlet of the drain pipe is not smooth. 20cm above the ground.	Lower the drain pipe.

To reduce the risk of fire, this appliance must be fastened or otherwise secured to an uncovered concrete floor.

Pour réduire les risques d'incendie, cet appareil doit être fixé ou fixé d'une autre manière sur un sol en béton non recouvert.

Manufacturer's 1-Year Limited Warranty

The manufacturer warrants that all parts and components are defect free in materials and workmanship for 1 year. This warranty is valid only in accordance with the conditions set forth below:

1. The warranty extends only to the original consumer purchaser and is not transferable. In addition, proof of purchase must be demonstrated.
2. This limited warranty is the only written or express warranty given by the manufacturer. Any implied warranty of merchantability or fitness for a particular purpose on this product is limited in duration to the duration of this warranty. Some states do not allow limitations on how long an implied warranty lasts, so the above limitation may not apply to you.
3. This warranty gives you specific legal rights. You may also have other rights which vary by state.

Procedure for Replacement or Return within the 1 Year:

To return the product for replacement or refund within the 1 year, the original purchaser must pack the product securely and send it postage paid with a description of the reason for replacement or refund, proof of purchase, and include your order number on the package, to the following address:

Deco Gear
80 Carter Drive
Edison, NJ 08817