



COMPACT 15" UNDER COUNTER REFRIGERATOR

FOR BUILT-IN INSTALLATION INSTRUCTION MANUAL

Model: **DGUTRFG01**



To ensure proper use of this appliance and your safety, please read the following instructions completely before operating this appliance.

TABLE OF CONTENTS

Before Use.....	2
Energy Saving Tips.....	2
Important Safety Instructions.....	2
Included Parts.....	5
Specifications.....	6
How To Operate:	
Starting Your New Refrigerator.....	6
Button Panel Operation.....	6
How To Clean.....	7
How To Install.....	7
Care And Maintenance.....	8
Handle Installation Guide.....	10
Troubleshooting Guide	
What To Do.....	11

BEFORE USE

- Before connecting the appliance to the power supply, let the unit stand upright for 4 hours, which will reduce the possibility of the cooling system malfunctioning due to improper handling and moving during transportation or installation.
- Clean your unit thoroughly before use. (See “How to Clean”)
- Use the parts diagram on page 4 to insure proper positioning of internal components.

ENERGY SAVING TIPS

- Keep the refrigerator doors closed as much as possible, particularly in warm/humid conditions.
- Maintain adequate ventilation around the back and sides of the unit. This unit can either be built-in installation or stand alone, when built-in installation, do not let the back of the unit sit tightly against the wall.
- Allow warm food to cool to room temperature before placing in the refrigerator.
- Do not obstruct the front hot air outlet frame.

IMPORTANT SAFETY INSTRUCTIONS

When using any electrical appliance, basic safety precaution must be followed in order to reduce the risk of fire, electrical shock, and/or injury to person or property. Before you use your refrigerator, please read the owner’s manual carefully and observe the following safety tips.

Use this appliance only for its intended purpose as described in this owner’s manual.

DANGER: Risk of child entrapment. Before you throw away your old refrigerator or freezer:

- Take off the doors.
- Leave the shelves in place so that children may not easily climb inside.
- The appliance must be correctly installed and connected to the power supply in accordance with the installation instructions before it is used. (See: “HOW TO INSTALL”).

WARNING: Keep clear of obstruction all ventilation openings in the appliance enclosure or in the built-in structure.

WARNING: Do not use mechanical devices or other means to accelerate the defrosting process, other than those recommended by the manufacturer.

WARNING: Do not damage the refrigerant circuit.

WARNING: Do not use electrical appliances inside the food storage compartments of the appliance, unless they are of the type recommended by the manufacturer.

- This appliance is intended to be used in household and similar applications such as
 - staff kitchen areas in shops, offices and other environments;
 - farm houses and by clients in hotels, motels and other residential type environments;
 - bed and breakfast type environments;
 - catering and similar non-retail applications.
- Do not store explosive substances such as aerosol cans with a flammable propellant in this appliance.
- The main power supply must be properly grounded. Never to remove the ground prong from the plug and never use the two-prong adapter.
- Do not run cord over carpeting or other heat insulators. Do not cover the cord. Keep cord away from traffic areas, and do not submerge in water. **WARNING:** If the supply cord is damaged, it must be replaced by the manufacturer or its service agent or a similarly qualified person in order to avoid a hazard. Repair or replace immediately all electric service cords that have become frayed or otherwise damaged. Do not use a cord that shows cracks or abrasion damage along its length, the plug or the connector end.
- This refrigerator must be positioned so that the plug is accessible. Never unplug you unit often by pulling on the power cord. Always grasp the plug firmly and pull straight out from the outlet.
- Do not use an extension cord as this can negatively affect the performance of the unit. If you must use an extension cord, use 18AWG minimum size and rated no less than 1875 watts.
- When transporting the refrigerator, keep the unit in the upright position. Do not tilt the appliance beyond 45° or place the unit in upside down position. Do not tip over.
- Do not touch the cooled surfaces while the appliance operates, especially not with wet hands, because the skin may stick to the cold surfaces.
- It is recommended that the refrigerator is positioned away from any combustible sources such as gas, petrol, alcohol, lacquer and banana oil, etc. The aforementioned objects should not be stored in the refrigerator under any circumstances.
- If the unit fails to cool properly, dispose of spoiled food as needed.
- Unplug your unit first before cleaning or before making any repairs. **NOTE:** *If for any reason this product requires service, we strongly recommend that a certified technician perform the service. Repairs made by non-qualified personnel will void the warranty.*
- Do not defrost the appliance with other electric devices (hair dryer etc.) and never scrape the ice or frost layer with sharp tools. Warning: Do not damage the refrigerant circuit.
- The rating plate is inside the appliance or outside on the rear or side wall.

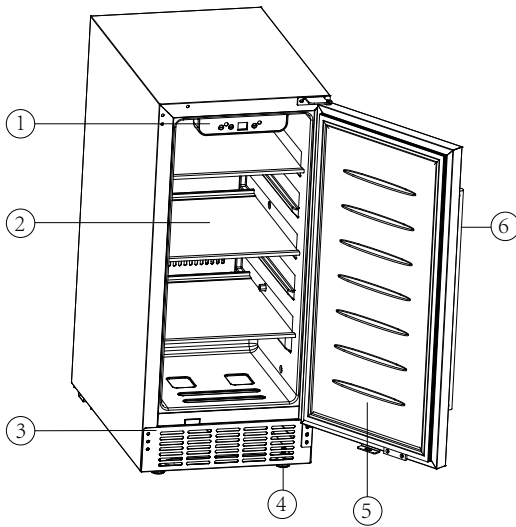
- This appliance is not intended for use by persons (including children) with reduced physical, sensory or mental capabilities, or lack of experience and knowledge, unless they have been given supervision or instruction concerning use of the appliance by a person responsible for their safety. Children should be supervised to ensure that they do not play with the appliance.
- Please dispose of the appliance according to local regulations as the appliance contains flammable gas and refrigerant.
- Follow local regulations regarding disposal of the appliance due to flammable refrigerant and gas. All refrigeration products contain refrigerants, which under the guidelines of federal law must be removed before disposal. It is the consumer's responsibility to comply with federal and local regulations when disposing of this product.
- Do not operate your refrigerator in the presence of explosive fumes.
- WARNING--Do not use the flame or catch the fire near the unit.



Safety instruction for refrigerant

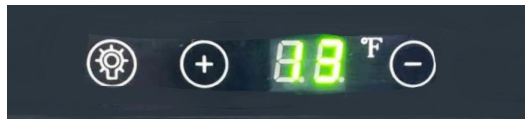
- DANGER-Risk of Fire or Explosion. FLAMMABLE REFRIGERANT Used. Do Not Use Mechanical Device To Defrost Refrigerator. Do Not Puncture Refrigerant Tubing
- DANGER-Risk of Fire or Explosion. FLAMMABLE REFRIGERANT Used. To Be Repaired Only By Trained Service Personnel. Do Not Puncture Refrigerant Tubing.
- CAUTION – Risk Of Fire Or Explosion. FLAMMABLE REFRIGERANT Used. Consult Repair Manual/Owner's Guide Before Attempting To Service This Product. All Safety Precautions Must be Followed.
- CAUTION--Risk of Fire or Explosion. Dispose Of Property In Accordance With Federal Or Local Regulations. Flammable Refrigerant Used.
- CAUTION – Risk Of Fire Or Explosion Due To Puncture Of Refrigerant Tubing; Follow Handling Instructions Carefully. FLAMMABLE REFRIGERANT Used.

NAME OF THE PARTS



Model No.: **DGUTRFH01**

(1) Operation Panel:



- (2) Removable Food Shelf
- (3) Hot Air Outlet Frame
- (4) Height adjustable feet
- (5) Door
- (6) Door Handle (Assembly required)

SPECIFICATIONS

Product Description	Compact Refrigerator		
Model No.	DGUTRFG01		
Capacity	82 L/3.0 Cu.Ft.		
Electrical Rating	115V~/60Hz/0.9 A		
Refrigerant	R600a, 0.67 Oz/19 g		
Unit Dimensions With Feet (Inches)	Width	Depth(With handle)	Height
	15.0" (380mm)	22.5"(572mm)	33.8 "(860mm)
Net Weight (Lbs)	57.80lbs		

HOW TO OPERATE

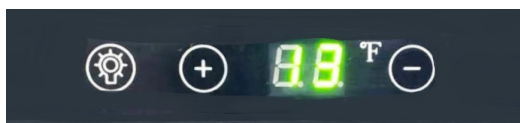
Starting Your New Refrigerator

Important: If the unit is brought in from outside in the winter season, give it a few hours to warm up to room temperature before plugging it in.

Additionally, after transportation and moving the unit, please wait for a least 4 hours before plugging in the unit.

1. Remove the packaging material.
2. Clean the unit thoroughly. Wipe the outside with a soft dry cloth, the interior with a clean moist cloth.
3. Connect the power cord to a standard wall outlet. Once powered, you will hear a beep. The display on the control panel will revert to the current internal temperature.
4. Do not put food into the unit within the first two hours after powering on.

Operation button panel



There are three buttons and a temperature display window on the control panel. These let you operate the unit and set your desired running temperature.


Temperature adjustment



Press two buttons " + " & " - " to adjust the set temperature to your desired value. Each press will change the temperature 1 degree Fahrenheit.

Setting Range: 32-50 Fahrenheit. The default setting is 39 Fahrenheit.

Interior Light Control

The unit has built in with the LED light in the cooling compartment. The internal LED light is controlled

by the magnetic door switch and the light button “” on the control panel. Normally, when you open the door, the LED light will be on. Once the door is closed, the LED light will shut off instantly.

If you press the “” button for more than 3 seconds, it will cut supply power to the LED light and opening or closing the door will not activate the LED light. If you press the “” button for more than 3 seconds again to cancel this lock, the LED light will reset to be on or off with the door opening and closing.

Note: Wait 3-5 minutes before restarting if you unplug the refrigerator. The unit may fail to operate properly if restarted too quickly.

HOW TO CLEAN

Cleaners: Never use harsh, abrasive cleaners, heavy-duty cleaners, or solvents on any surface.

Exterior: Wipe with damp, sudsy cloth, rinse and dry. For stubborn stains and for periodic waxing, use silicon wax.

Refrigeration Section: Wash shelves and other removable parts in warm sudsy water, rinse and dry. Wash interior with baking soda solution (3 tablespoons to 1 liter of water) or warm sudsy water, rinse and dry.

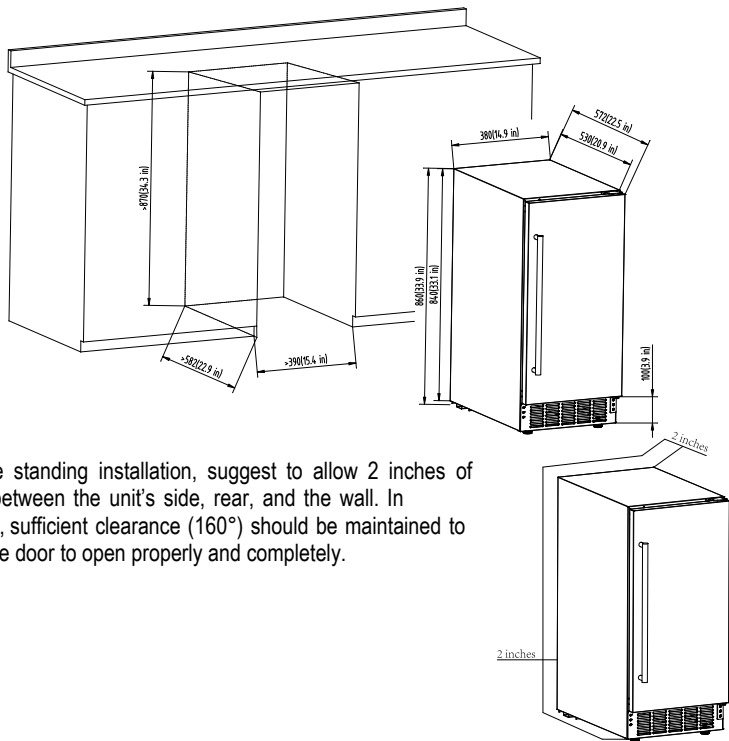
Magnetic Door Seals: Wash with warm sudsy water.

The Finishing Touch: Replace all parts and return thermostat dial to desired setting.

HOW TO INSTALL

This appliance can either stand alone or be built in. The front grille must be not obstructed.

- Install the unit in a convenient location away from extreme heat and cold. This unit should be far away from the heating source, such as stoves, heater, or radiators, and is prevented from being exposed to direct sunlight. Allow sufficient clearance between the unit and sidewall so the door will open without obstruction. This refrigerator is designed for recessed or built-in installation.
- Place the unit on a level surface that will be strong enough to support the unit when it is fully loaded. Not recommended for carpeting or other soft / uneven surfaces. To level your fridge, adjust the front feet located at the bottom of the unit.
- For under-counter built-in installation, please following the following diagram, and leave the enough space for the unit.



- For free standing installation, suggest to allow 2 inches of space between the unit's side, rear, and the wall. In addition, sufficient clearance (160°) should be maintained to allow the door to open properly and completely.

- The appliance must be correctly connected to the power supply, 115V/60Hz, and grounded.

The refrigerator is not designed to be installed in an outside area such as a garage or a porch. Ambient temperatures of below 50° or above 90° will hinder the performance of the appliance.

CARE AND MAINTENANCE

- ▶ The refrigerator should be cleaned on a regular basis. (See: "HOW TO CLEAN")
- ▶ It is necessary to have an adequate ventilation space around the refrigerator in order to attain proper performance, dissipation of heat, maintain efficiency, and low power consumption. Clearance of minimum 2 inches should be maintained at the rear and sides of the unit. **And especially do not obstruct the front hot air outlet frame. (See: "HOW TO INSTALL")**
- ▶ To attain proper performance, be sure to plug the appliance into a properly grounded 115/60 Hz outlet.
- ▶ Do not modify the power cord under any circumstance to allow the unit to be plugged into a

non-grounded outlet. To avoid heat damage to the power cord, please ensure that it does not come in proximity or in direct contact with the compressor of the refrigerator.

▶ Please avoid installing the refrigerator in a location where the appliance will come in contact with water or moisture to minimize rusting of metal parts.

▶ The refrigerator should not be installed near any heat source or in a location where it will come in direct contact with the sunlight.

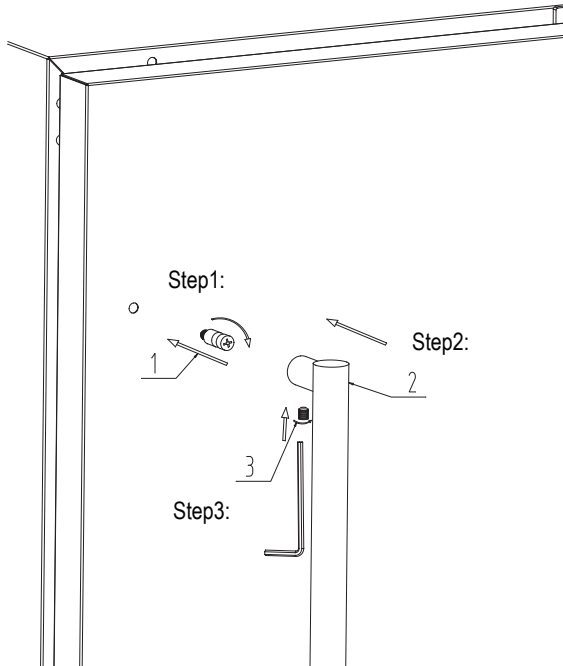
▶ The components, if need to be replaced, should be replaced with like components, and should be replaced by the manufacturer or its service agent or a similarly qualified person in order to avoid a hazard and to minimize the risk of possible ignition and also to decrease the cooling performance due to incorrect parts or improper service.

HANDLE INSTALLATION GUIDE

TOOLS NEEDED: Phillips screwdriver #2 and inner hexagon tool.

IMPORTANT: NEVER LAY THE REFRIGERAOR ON ITS BACK.

The compressor components are installed at the back of the unit and may easily be damaged if the refrigerator is placed on its back.



1. Fix the top and bottom screw with the screwdriver.
2. Put the handle on the previously placed screws - making sure the top and bottom screws are in the handle holes.
3. Use the inner hexagon to fix the top and bottom screws on to the handle - ensure the screws are fastened well.
4. Pull the handle to make sure the handle is properly tight and not loose.

TROUBLESHOOTING GUIDE

WHAT TO DO ...

When the fridge is not in use for a prolonged period:

- Remove the plug from the outlet.
- Remove all contents from the fridge.
- Dry the interior and leave the door open for a few days.

When the refrigerator does not work:

- Check if there is a power failure.
- Check if the power plug is plugged into the power outlet.
- Check that the fuse has not blown in main supply circuit.

When you wish to move the fridge:

- Secure all movable parts and contents. (Package them separately if necessary.)
- Transport the fridge only in an upright position. In any other position you may damage the compressor.

Before calling service, please follow the checklist below.
This may save you an expensive service call.

If the refrigerator seems too warm inside:

- Check to see that the door is closing properly and the door seal is not damaged.
- Check that the interior circulation is not obstructed by having too many goods stored. (The fridge is overloaded)
- Did you store anything hot, without first cooling it to room temperature?
- Is there sufficient clearance around all sides and above the fridge?
- Do anything obstruct the front hot air outlet frame?

When the refrigerator is cooling excessively:

- The set temperature digit may be set too high
- If you place food sorts which contain a lot of moisture directly under the cool outlets, they will freeze easily. This does not indicate a unit malfunction.

When the defrosting water overflows inside the refrigerator and onto the floor:

- Check that the drain pipe and the drain hose are not clogged.
- Check that the drain pan is housed properly.

When condensation forms on the outside of the refrigerator:

- Condensation may form on the outside when the humidity level is high such as during a wet summer season. This is the same result as the condensation formed when chilled water is poured into a glass. It does not, therefore, indicate a failure, wipe dry with a dry cloth.

If the fridge starts making any unusual noises:

- Is it wobbling? Re-level it and check if it now operates normally.
- Have any objects fallen behind the fridge? If so, remove them and check if operation is now normal.
- Are any containers inside the fridge vibrating or resonating? If so, rearrange them then check to see if operation has returned to normal.



Manufacturer's 1-Year Limited Warranty

The manufacturer warrants that all parts and components are defect free in materials and workmanship for 1 year. This warranty is valid only in accordance with the conditions set forth below:

1. The warranty extends only to the original consumer purchaser and is not transferable. In addition, proof of purchase must be demonstrated.
2. This limited warranty is the only written or express warranty given by the manufacturer. Any implied warranty of merchantability or fitness for a particular purpose on this product is limited in duration to the duration of this warranty. Some states do not allow limitations on how long an implied warranty lasts, so the above limitation may not apply to you.
3. This warranty gives you specific legal rights. You may also have other rights which vary by state

Procedure for Replacement or Return within the 1 Year:

To return the product for replacement or refund within the 1 year, the original purchaser must pack the product securely and send it postage paid with a description of the reason for replacement or refund, proof of purchase, and include your order number on the package, to the following address:

Deco Chef
80 Carter Drive
Edison, NJ 08817

Other contact info

Phone: 844-413-2646

Customer Service Email: customerservice@decogear.com