

## Manufacturer's 1-Year Limited Warranty

The manufacturer warrants that all parts and components are defect free in materials and workmanship for 1 year. This warranty is valid only in accordance with the conditions set forth below:

1. The warranty extends only to the original consumer purchaser and is not transferable. In addition, proof of purchase must be demonstrated.
2. This limited warranty is the only written or express warranty given by the manufacturer. Any implied warranty of merchantability or fitness for a particular purpose on this product is limited in duration to the duration of this warranty. Some states do not allow limitations on how long an implied warranty lasts, so the above limitation may not apply to you.
3. This warranty gives you specific legal rights. You may also have other rights which vary by state.

### Procedure for Replacement or Return within the 1 Year:

To return the product for replacement or refund within the 1 year, the original purchaser must pack the product securely and send it postage paid with a description of the reason for replacement or refund, proof of purchase, and include your order number on the package, to the following address:

Deco Home  
80 Carter Drive  
Edison, NJ 08817

# decohome

## INSTRUCTION MANUAL

View this product on [decogear.com](http://decogear.com)



## AIR PURIFIER

DGAIRHEP13W

Thank you very much for using our products.  
Please read the user manual carefully before use and keep it for future reference.

## CONTENT

Before You Use	01
Product Overview	02
Specifications	04
Installation Filter	04
Function Instruction	06
Maintenance	08
FAQ	09

## POINTS FOR ATTENTION

Before using, please read this user manual carefully and keep it for future reference.

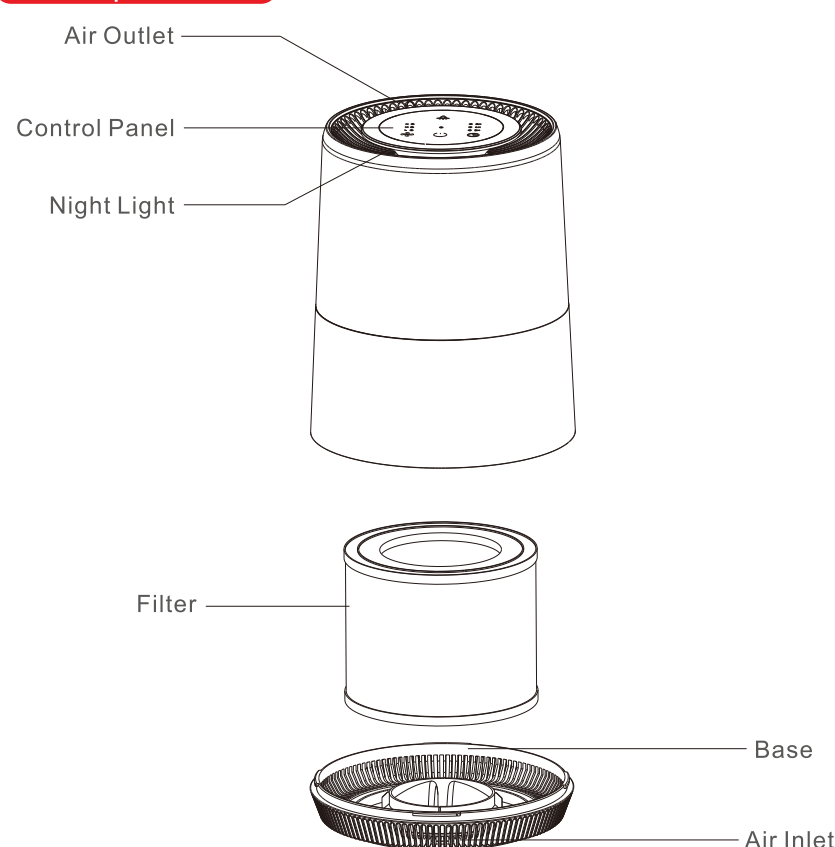
### Warning

1. To avoid electric shock and fire, do not allow water, liquid or any flammable detergent to get into or to clean the product.
2. Do not spray insecticide, perfume or other flammable spray around the products.
3. Before connecting the power supply, please check whether the voltage of the product is consistent with the local power supply voltage.
4. This product can not replace normal ventilation, daily dust collection or oil residue when cooking.
5. Ensure the product is used in a stable and horizontal level.
6. Leave at least 30cm of space on the back and sides of the product, and at least 50cm of space above the product.
7. Ensure both the filter and its cover are properly installed before using.
8. Do not insert finger or other things into the air outlet/inlet to prevent physical damage.

01

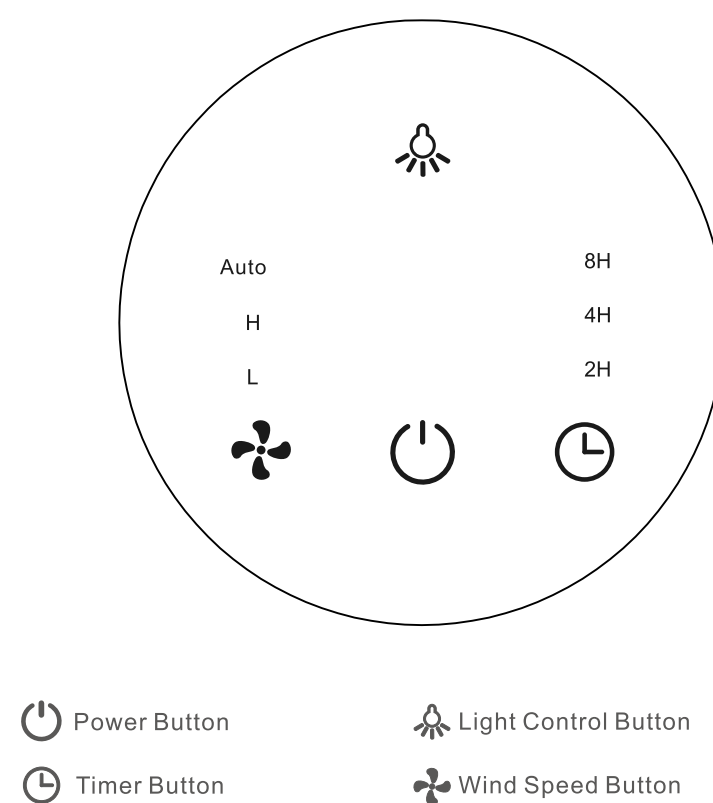
## PRODUCT OVERVIEW

### Components



02

### Control Panel



03

## SPECIFICATIONS

Model No.	AIRHEP13W
Size	226*226*303mm
Net Weight	1.9kg
Adapter	Input: 100-240V 50/60Hz Output: 24V-1.2A
Power	23W
CADR	100
Coverage Area	≤12m <sup>2</sup>

## INSTALLATION FILTER

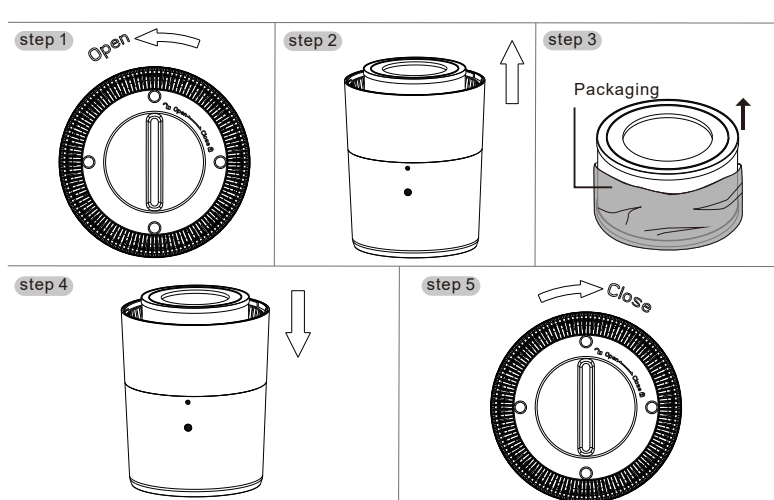
### Notice

- Please remove the packaging of the filter before using for the first time.
- Ensure the machine is unplugged before removing or installing the filter.
- When the power indicator keeps flashing in red, the filter should be replaced.
- Please wipe the dust on the filter regularly, do not wash or use it repeatedly.
- Please use the filter specially designed for this product.

04

### Steps of Installing Filter

Unplug the power socket of machine before replacing or installing the filter.



1. Invert the machine, and rotate the base along the direction marked "OPEN".
2. Take out the filter from the machine.
3. Remove the packaging of the filter.
4. Install the filter into the machine.
5. Then install the base, rotate and tighten the base along the direction marked "CLOSE".

### Please Note:

1. Please press the power button for 7s to reset after installing a new filter, and the red light will stop flashing.
2. When using the device for the first time, please remove the filter packing before using. Do not reset the device

05

## FUNCTION INSTRUCTION

Insert the plug into the power socket, the buzzer will ring for 1 second, which indicates the device is properly connected to the power source.

### Button Operation

#### Power Button

1. Touch the power button to turn on the air purifier. When the buzzer rings once, the power indicator, low-mode indicator, and night lights are on. The device starts to work at the low mode by default.
2. Touch the power button again, the buzzer will ring once and the device will stop running with all lights off.

**Notice:** In case your device is constantly powered, turn off the device and then turn it back on again. It will then default to shutdown before the working state

#### Timer Button

1. When on and functioning, touch the timer button to set increments of 2, 4, or 8 hours, followed by a buzzer ringing once and the corresponding indicator light lit.
2. The device will continue to operate until manually shut down if timer function is not selected.
3. When in a timed mode, the machine will begin to countdown from the selected amount. Once time is up, the device will shut down.

**Notice:** The timer function will not work if the device is already off.

06

#### Wind Speed Button

1. When on, the buzzer will ring once every time the wind speed button is pressed
2. It can be set at Auto-High-Low working modes and the corresponding indicator lights on.
3. In Auto mode, the wind speed will change automatically complying with air quality. When the LED light is turned on, it will display different color LED light to show the air quality (Blue color means that the air quality is Good; Yellow is normal; and Red is bad). When the air quality is bad, the wind speed will change to High mode; When the air quality is normal, it will change to Middle mode; When the air quality is good, it will change to Low mode.

**Notice:** The wind speed button will not function if the device is powered down

#### Night Light Button

1. Touch the light button, the buzzer will ring once, the device enters soft light mode.
2. Touch it again, the buzzer will ring once and the LED light will turn into standard mode.
3. Touch it one more time, the LED light will turn off.

### Notice:

1. When the device detects that the air filter needs to be replaced, the LED light will repeatedly flash red.
2. Please press the power button for 7s after installing a new filter. Then the device will start to countdown the lifespan of filter.

07

## MAINTENANCE

### Notice

- Ensure the machine is unplugged before maintenance.
- Do not immerse the machine into water or any liquid.
- Do not use abrasive, corrosive or flammable cleansers (such as bleach or alcohol) to clean any part of the unit.
- Don't use a vacuum cleaner to clean the filter or wash it directly.
- Please sterilize the filter under sunlight regularly.

### Cleaning & Storage

- ① Ensure the machine is power-off and unplugged.
- ② Use a soft cloth with neutral cleanser to clean away any dust or debris from the surface of the unit and air inlet/outlet.
- ③ After the machine completely dry out, put on the bag and place it in a cool and well-ventilated place.
- ④ If you do not use it for a long time, in the basic of previous steps, please turn on the machine for a few minutes from time to time to ensure a good performance.

**Notice:** Please don't drop any water into the machine when cleaning the air outlet.

08

## FAQ

SITUATION	REASON
Not working	<ul style="list-style-type: none"> <li>• Is it plugged into a power socket? Is there a power outage?</li> <li>• Is the home leakage switch or fuse cut off?</li> <li>• Is the filter replacing indicator flashing?</li> </ul>
Poor performance	<ul style="list-style-type: none"> <li>• Is there any dust in the surface of primary filter?</li> <li>• Is there any obstacle blocking the air inlet/outlet.</li> </ul>
Significant noise	<ul style="list-style-type: none"> <li>• Is there anything stuck on the fan in the air outlet?</li> <li>• Is the machine tilted?</li> <li>• Please set a lower grade of wind speed if the noise is too loud, or set low grade of wind speed when using in bedroom at night.</li> </ul>
Smell or odor	<ul style="list-style-type: none"> <li>• It is the normal phenomenon that the machine emits the smell of plastic for the first time. The machine will emit nasty smell if the filter is dusty, so in this situation, please clean or replace the filter.</li> <li>• If the burning smell emits from the machine, please unplug the power socket and contact with buyer or customer service.</li> </ul>
The reminder of replacing filter after user replaced a new one.	<ul style="list-style-type: none"> <li>• Please press the power button for 7s to reset the machine and the life counter of the filter will start.</li> </ul>

**Notice:** If the above FAQ can not solve your problems and need maintenance, please contact the supplier or after sales service center. Please do not disassemble the machine to maintain by yourself.

09