



PORTABLE ICE MAKER USER MANUAL

[View this product on decogear.com](http://decogear.com)

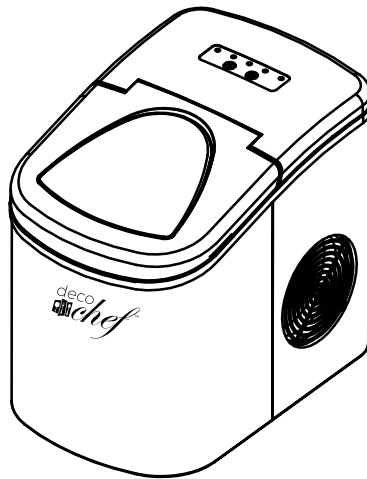


TABLE OF CONTENTS


IMPORTANT SAFEGUARDS.....	1
SAFETY INSTRUCTIONS.....	2
DESCRIPTION OF PARTS.....	3
BEFORE FIRST USE.....	4
USE YOUR ICE MAKER.....	4
CARE AND CLEANING.....	6
TROUBLESHOOTING GUIDE.....	6
WARRANTY.....	8

* This ice maker is not designed to keep ice frozen. After each use, remove all ice cubes, drain the water.

IMPORTANT SAFEGUARDS



When using electrical appliances, basic safety precautions should always be followed including the following

- Read all instructions.
- Do not touch hot surfaces. Use handles or knobs.
- To protect against electrical hazards, do not immerse cord, plugs, or the appliance in water or other liquid.
- This appliance is not intended for use by persons (including children) with reduced physical, sensory or mental capabilities or lack of experience and knowledge, unless they have been given supervision or instruction concerning the use of the appliance by a person responsible for their safety.
- Close supervision is necessary when any appliance is used by or near children. Children should be supervised to ensure that they do not play with the appliance.
- Unplug from outlet when not in use and before cleaning or servicing.
- Do not operate any appliance with a damaged cord or plug or after the appliance malfunctions, or is dropped or damaged in any manner. Return appliance to the manufacturer for examination, repair or electrical or mechanical adjustment. All servicing should be performed by an authorized service representative.
- Do not use outdoors.
- Do not let cord hang over edge of table or counter, or touch hot surfaces. Do not let the power cord cross over carpeting or other heat insulators. Do not cover the cord.
- Do not place on or near a hot gas or electric burner, or in a heated oven.
- Always attach plug to appliance first, then plug cord into the wall outlet. To disconnect, turn any control to 'OFF', then remove plug from wall outlet.
- Do not use appliance for other than intended use.
- Do not leave unit unattended while in use.
- Plug the Ice Maker into an exclusive grounded 3-prong outlet. No other appliance should be plugged into the same outlet. Be sure that the plug is fully inserted into the receptacle.
- If the Ice Maker is brought in from outside in wintertime, do not use for a few hours, allowing the unit to warm up to the room temperature before operating.
- Do not clean your Ice Maker with any flammable fluids. The fumes may create a fire hazard or explosion.
-  **WARNING:** Do not touch the Evaporator when the Ice Maker is making ice, it may burn your skin.
- **DANGER** – Risk of fire or explosion. Flammable refrigerant used. Do not use mechanical devices to defrost ice maker. Do not puncture refrigerant tubing.
- **DANGER** – Risk of fire or explosion. Flammable refrigerant used. To be repaired only by trained service personnel. Do not puncture refrigerant tubing.
- **CAUTION** – Risk of fire or explosion. Flammable refrigerant used. Consult repair manual/owner's guide before attempting to install or service this product. All safety precautions must be followed.

- **CAUTION** – Risk of fire or explosion. Dispose of property in accordance with federal or local regulations. Flammable refrigerant used .
- **CAUTION** – Risk of fire or explosion due to puncture of refrigerant tubing; follow handling instructions carefully. Flammable refrigerant used.
- The ice maker should be installed in accordance with the safety standard for refrigeration systems, ashrae15. The ice maker shall not be installed in corridors or hallways of public buildings.
- If the unit is with problem need to be maintained, that replacing with like components and that servicing shall be done by factory authorized service personnel, so as to minimize the risk of possible ignition due to incorrect parts or improper service.

SAVE THESE INSTRUCTIONS HOUSEHOLD USE ONLY

SAFETY INSTRUCTIONS

This appliance must be plugged into at least a 15 AMP 110-115 VOLT 60 Hz GROUNDED OUTLET. This appliance must be grounded. It is equipped with a 3-wire cord having a grounding plug. The plug must be plugged into an outlet that is properly installed and grounded.

WARNING!

Improper use of grounded wire can result in the risk of electric shock. Consult a physician if necessary. Do not attempt to defeat this safety feature by modifying the plug.

Avoid the use of an extension cord because it may overheat and cause a risk of fire. However, if it is necessary to use an extension cord:

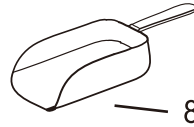
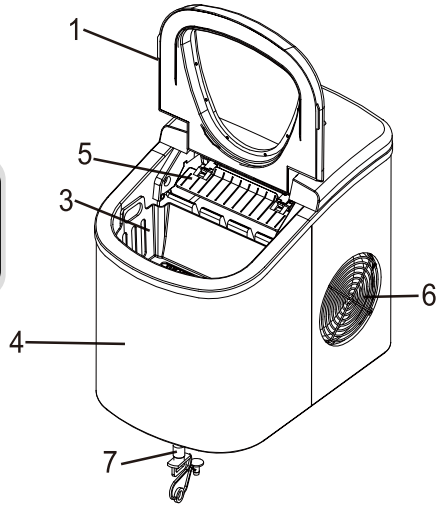
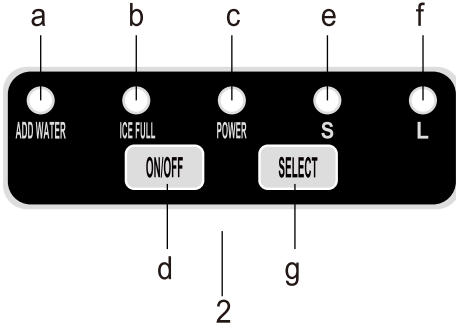
- A. Use only 3-wire extension cords with 3-blade grounding plug.
- B. The marked rating of an extension cord must be equal to or greater than the rating of this appliance.
- C. It should be positioned such that it does not drape over the counter or tabletop where it can be pulled on by children intentionally.

Attempting any maintenance or cleaning:

To minimize the possibility of electric shock, unplug this appliance from the power supply or disconnect at the household distribution panel by removing the fuse or switching off the circuit breaker before attempting any maintenance or cleaning.

NOTE: Pressing the Power ON/OFF button to an off position does NOT disconnect the appliance from the power supply.

DESCRIPTION OF PARTS



1. Cover
2. Control Panel
 - a. Add Water Indicator Light
 - b. Ice Full Indicator Light
 - c. Power Indicator Light
 - d. On/Off Button
 - e. 'S' Small Ice Size Indicator Light
 - f. 'L' Large Ice Size Indicator Light
 - g. Select Button – to choose ice size
3. Ice Basket
4. Water Reservoir (below Ice Basket)
5. Ice Shovel and Evaporator Fingers (behind Ice Shovel)
6. Air Outlet
7. Drain Plug
8. Ice Scoop

BEFORE FIRST USE

This portable icemaker uses a fully automatic control system, with an advanced microcomputer for easy and convenient ice making. Making ice is simple and fast. Just add water, plug into an outlet, and press the ON button. You can select one of the two ice cube sizes with the touch of a button. When first turning on the unit or during icemaking cycles, the compressor will stay idle for 3 minutes, while energizing.

There are warning indicators that alert you to fill water when the reservoir is empty and to remove ice when the storage basket is full. The icemaker also has built-in safeguards that can limit accidental damage, automatically shutting down the system when necessary.

Please read carefully.

1. The incline angle of the icemaker cabinet should not exceed 45° during transportation or use. Do not turn the icemaker upside down. Doing so could cause the compressor or refrigerating system to operate incorrectly. When the icemaker is moved or transported, please allow time for the fluids in the compressor to settle. Before using the icemaker for the first time, please wait 2 hours after the unit has been leveled and positioned in its proper place.
2. Please ensure the icemaker is level and on a stable table or platform to avoid malfunction.
3. The machine must be placed on a dry and level surface with sufficient ventilation, far from heat sources such as ovens, heaters and corrosive gases. Leave an 8-inch clearance on all sides of the icemaker for proper ventilation.
4. Do not fill the water reservoir with hot water. This may damage the icemaker. It is best to fill the water reservoir with water of room temperature or lower.

USE YOUR ICE MAKER

1. Ensure that the Drain Plug underneath the front of the unit is closed and the Water Tube Screen is in place.
2. Plug the Ice Maker into the wall outlet and the green power indicator light will blink (approximately every 5 seconds).
3. Open the Cover and remove the Ice Basket.
4. Fill the Water Reservoir. NOTE: Do not fill above the MAX water level mark at the back of the Water Reservoir.
5. Replace the Ice Basket and close the Cover.

6. Press the Power Button and the green indicator light will remain on. To change between either the small or large ice size, press the Select Button until the light is lit up beside the desired ice size.
7. The first ice making cycle will last approximately 8 - 13 minutes depending on the ice size that is selected. The ice making cycle starts with water being pumped into the Water Tray situated below the Evaporator Fingers. Over the next 8 - 13 minutes ice forms on the Evaporator Fingers. Once this has completed, the Ice Tray will tilt backwards and the remaining water in the Ice Tray is drained back into the Water Reservoir. The ice cubes are then dropped from the Evaporator Fingers and pushed forward into the Ice Basket by the Ice Shovel. The Ice Tray will automatically move back into position under the Evaporator Fingers and start the next cycle.
8. The 'Ice Full' LED light will light up when the ice basket is full and the Ice Maker will stop the ice making cycle automatically. Gently remove the ice from the Ice Basket with the Ice Scoop. Once the Ice Basket has been emptied and the Cover closed, the Ice Maker will restart its ice making function automatically. **IMPORTANT:** Wait 3 minutes then press the Power Button to restart the ice making function.
9. The 'Add Water' LED light will light up when there is no more water in the Water Reservoir and the ice making cycle will stop automatically. Press the Power Button once (the Power Button will flash every 5 seconds). Remove the Ice Basket and add water to the Water Reservoir. **NOTE:** Do not fill above the MAX water level mark at the back of the Water Reservoir. Replace the Ice Basket and close the Cover. **IMPORTANT:** Wait 3 minutes then press the Power Button to restart the ice making function.
10. When you have finished making ice, transfer the ice to a freezer. **NOTE:** The ice will last in the Ice Maker for up to a 18 hour period, depending on the ambient temperature. Stop the ice making cycle by pressing the Power Button. Unplug the unit from the wall outlet. Open the Cover and allow the Ice Maker to reach room temperature and follow the directions in the Care and Cleaning section.

CARE AND CLEANING

1. Stop the Ice Making Cycle by pressing the Power Button and the green LED light will go out. Unplug the Ice Maker from the wall outlet. Allow the unit to warm up to room temperature.
2. If the Water Tray is not in the vertical position behind the Evaporator Fingers, gently push the Water Tray back so that all water drains into the Water Reservoir.
3. Open the Drain Plug to drain out excess water.
4. Remove the Ice Basket.
5. Remove the Water Tube Screen and rinse under running water.
6. Clean the Ice Maker interior with a soft cloth dampened in warm water and vinegar. Rinse with a clean damp cloth.
7. Replace the Drain Plug and the Water Tube Screen. Wash the Ice Basket and Ice Scoop in warm soapy water. Rinse and dry.
8. Clean the exterior of the Ice Maker with a soft damp cloth. Use a mild dishwashing soap, if necessary.
9. IMPORTANT NOTE: Do not clean the Evaporator Fingers.

TROUBLESHOOTING GUIDE

PROBLEM	POSSIBLE CAUSES	SOLUTION
"ADD WATER" indicator light turns on.	Low water level or lack of water.	Add water and the icemaker will operate automatically.
There is no indication on the control panel.	Disconnection of plug.	Check that the plug is plugged into the electrical outlet.

<p>“Ice Full” and “Add Water” indicators light up simultaneously.</p>	<p>Electrical Power Surge or There may be air in the lines or the lines are blocked. The water tank cannot detect water level.</p>	<p>Turn off the icemaker, pull out the electric plug, fill it with water if needed, replace the plug and then restart the unit. or Inspect relative parts; remove the drain cap on the back of the unit and drain out a small amount of water. Replace the drain cap and attempt to use the unit again. or Check if ice is blocking the ice pusher. Turn off the unit; let the ice melt and restart.</p>
<p>The “Ice Full” indicator light is on.</p>	<p>The ice basket is full.</p>	<p>Remove ice from the ice storage basket to make more.</p>
<p>The unit does not operate.</p>	<p>Power is not being supplied to the unit. The ambient temperature or the water temperature is too high.</p>	<p>Plug the unit into a standard 110/120 Volt, 60 Hertz power source. Please run the icemaker in temperatures below 90°F and/or pour colder water into the water reservoir.</p>
<p>Ice blockage. No ice is being made.</p>	<p>Making ice takes too much time.</p>	<p>Turn off the machine. Start the machine after the ice block melts. Or change the size selector to small ice cubes.</p>
<p>The icemaking cycle seems normal but no ice is produced.</p>	<p>There is refrigerant leakage. A pipe in the cooling system is blocked.</p>	<p>Consult a qualified technician or call Customer Service.</p>



Manufacturer's 1-Year Limited Warranty

The manufacturer warrants that all parts and components are defect free in materials and workmanship for 1 year. This warranty is valid only in accordance with the conditions set forth below:

1. The warranty extends only to the original consumer purchaser and is not transferable. In addition, proof of purchase must be demonstrated.
2. This limited warranty is the only written or express warranty given by the manufacturer. Any implied warranty of merchantability or fitness for a particular purpose on this product is limited in duration to the duration of this warranty. Some states do not allow limitations on how long an implied warranty lasts, so the above limitation may not apply to you.
3. This warranty gives you specific legal rights. You may also have other rights which vary by state

Procedure for Replacement or Return within the 1 Year:

To return the product for replacement or refund within the 1 year, the original purchaser must pack the product securely and send it postage paid with a description of the reason for replacement or refund, proof of purchase, and include your order number on the package, to the following address:

Deco Chef
80 Carter Drive
Edison, NJ 08817

