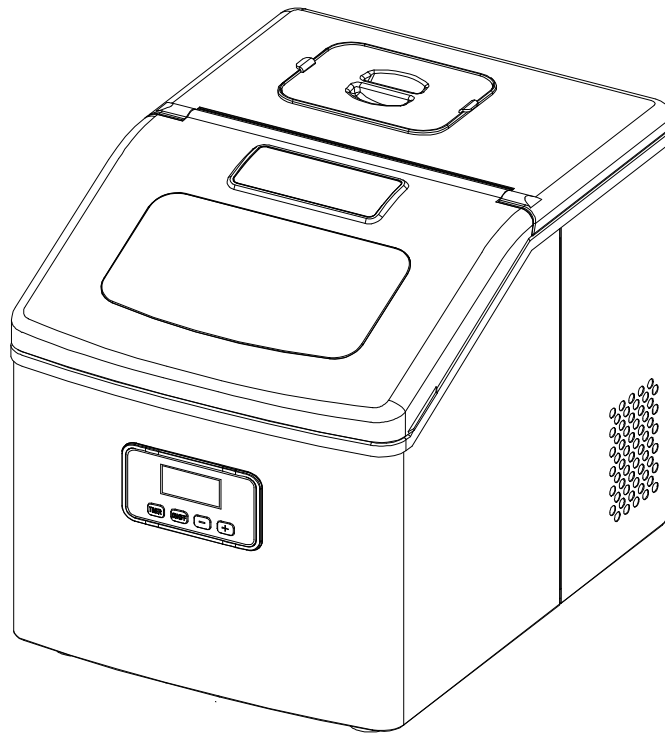




Counter Top 40 LB Ice Maker

Instruction Manual



For the DCICM Models

Please read this instruction manual before using your portable ice maker.
We recommend that you keep this in a safe place for future reference.

[View this product on decogear.com](http://decogear.com)

TABLE OF CONTENTS

IMPORTANT SAFETY INSTRUCTIONS	2
PREPARING YOUR ICE MAKER FOR USE	
IMPORTANT SAFETY TIPS.....	3-4
GETTING TO KNOW YOUR UNIT	5
OPERATING PROCEDURES & MAINTENANCE	
UNPACKING YOUR ICE MAKER.....	5
CONNECTING YOUR ICE MAKER.....	6
CLEANING AND MAINTAINING YOUR ICE MAKER.....	6-7
USING YOUR ICE MAKER	8
TROUBLESHOOTING.....	9
TECHNICAL PARAMETERS & CIRCUIT DIAGRAM	10

IMPORTANT SAFETY INSTRUCTIONS

Your safety and the safety of others are very important.

Provided within are a number of important safety messages for your appliance.
Always read and obey all safety messages.

This is the safety alert symbol:



All safety messages will follow the safety alert symbol along with the word “DANGER” or “WARNING”.

 **DANGER**

 **WARNING**

These words mean:

You can be killed or seriously injured if you don't fully follow these instructions.

All safety messages will tell you what the potential hazard is, how to reduce the chance of injury, and what can happen if instructions are not followed.

PREPARING YOUR ICE MAKER FOR USE

IMPORTANT SAFETY TIPS

When using electrical appliances, basic safety precautions should be followed to reduce the risk of fire, electric shock, and injury to persons or property. Read all instructions before using any appliance.

- Do not operate this, or any other appliance with a damaged cord. Connect to properly polarized outlets only. No other appliance should be plugged into the same outlet. Be sure that the plug is fully inserted into the receptacle.
- Do not run the power cord over carpeting or other heat insulators. Do not cover the cord. Keep cord away from traffic areas, and do not submerge in water.
- We do not recommend the use of an extension cord, as it may overheat and become a fire risk. If you must use an extension cord, use No.14 AWG minimum size, rated no less than 1875 watts.
- Unplug the ice maker before cleaning, making any repairs, or servicing.
- Exercise caution and use reasonable supervision when appliance is used near children.
- Do not use your ice-maker outdoors. Place the ice-maker away from direct sunlight and make sure that there is at least 6 inches of space between the back of your unit and wall. Keep a minimum distance of 6 inches on each side of your unit free.
- Do not use other liquids to make the ice cubes other than water.
- Do not clean your ice maker with flammable fluids. The fumes can create a fire hazard or explosion.
- Do not tip over.
- If the ice maker is brought in from outside in wintertime, give it a few hours to warm up to room temperature before plugging it in.

WARNING: This appliance must be properly grounded.

- **DANGER – Risk Of Fire or Explosion. Flammable Refrigerant Used. Do Not Use Mechanical Devices To Defrost Ice Maker. Do Not Puncture Refrigerant Tubing.**



- **DANGER – Risk Of Fire Or Explosion. Flammable Refrigerant Used. To Be Repaired Only By Trained Service Personnel. Do Not Puncture Refrigerant Tubing.**

- CAUTION – Risk Of Fire Or Explosion. Flammable Refrigerant Used. Consult Repair Manual/Owner’s Guide Before Attempting To Install or Service This Product. All Safety Precautions Must be Followed.
- CAUTION – Risk Of Fire Or Explosion. Dispose Of Properly In Accordance With Federal Or Local Regulations. Flammable Refrigerant Used.
- CAUTION - Risk Of Fire Or Explosion Due To Puncture Of Refrigerant Tubing; Follow Handling Instructions Carefully. Flammable Refrigerant Used.
- The ice maker should be installed in accordance with the safety standard for Refrigeration Systems, ASHRAE15. The ice maker shall not be installed in corridors or hallways of public buildings.
- If the unit has a problem or needs to be maintained, replacement with like components and servicing shall be done by factory authorized service personnel, so as to minimize the risk of possible ignition due to incorrect parts or improper service.

IMPORTANT:

The wires in this unit are colored in accordance with the following code:

Green or Green with a yellow stripe: Grounding

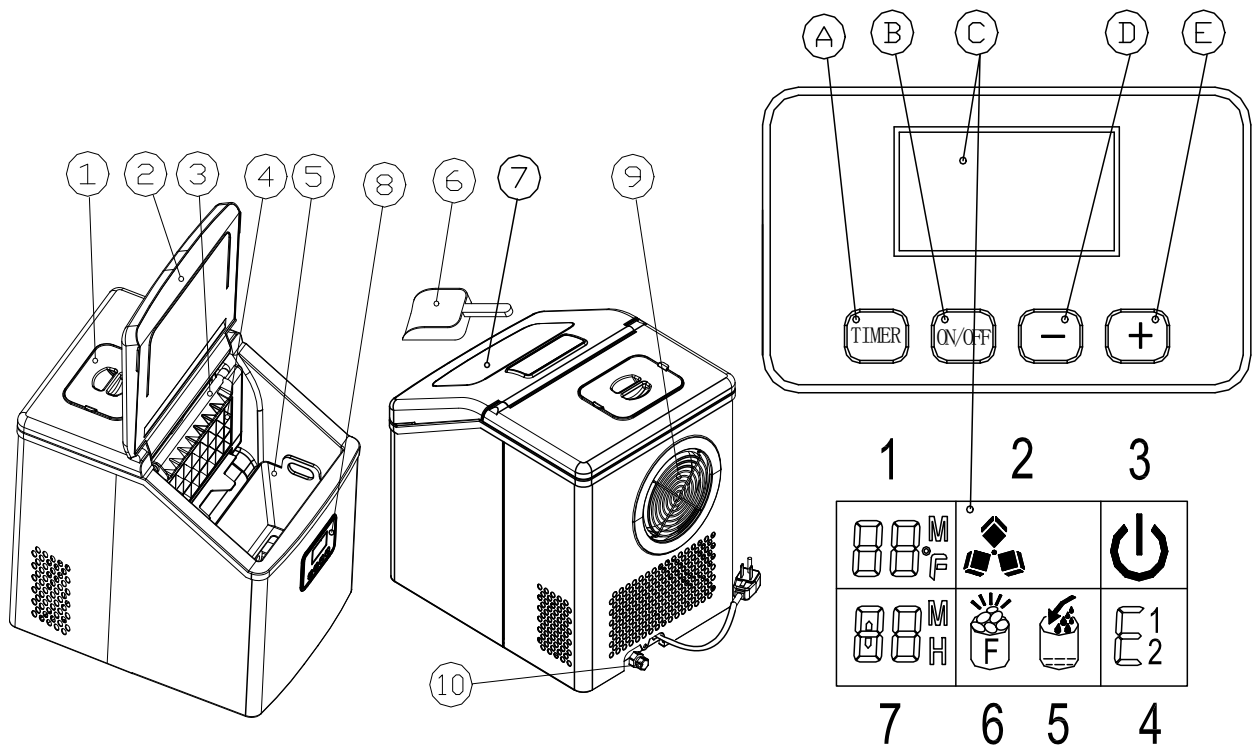
White: Neutral

Black: Live

To avoid a hazard due to instability of the appliance, it must be placed at a even or flat surface.

GETTING TO KNOW YOUR UNIT

1. Water reservoir cover
2. Unit top cover
3. Water separator pipe
4. Evaporator
5. Ice basket
6. Ice scoop
7. Transparent window
8. Control Panel:
 - A. Timer button
 - B. Power button
 - C. LCD Display area
 1. Ambient temp and ice making countdown symbol: when display shows <M>, ice is being made. <°F> displays temperature.
 2. Ice making and Ice harvesting symbols: when the ice cube symbol is on, the unit is making ice cubes. When the symbol flashing, the unit is harvesting ice.
 3. ON/OFF symbol.
 4. Error code E1-Ambient temp sensor breakdown. E2-refrigerating tube sensor breakdown
 5. Lack of water warning symbol.
 6. Ice full symbol.
 7. Time setting display area. <H> notes timer unit ON/OFF. When <M> is active, a preset ice making time has been set.
 - D. Ice making and timer decrease.
 - E. ice making and timer increase.
9. Hot Air Outlet
10. Water draining port: To drain water from the unit.



OPERATING PROCEDURES & MAINTENANCE

UNPACKING YOUR ICE MAKER

1. Remove the exterior and interior packaging. Check that ice basket and ice scoop is included. If any parts are missing, please contact our customer service.
2. Clean the interior with lukewarm water and a soft cloth. Take out the ice basket and clean it
3. Find a location for your ice maker that is protected from direct sunlight and other sources of heat (i.e.: stove, furnace, radiator). Place the ice maker on a level surface. Make sure that there is at least 6 inches of space between the back and sides of your ice maker and the wall.
4. Allow one hour for the refrigerant fluid to settle before plugging ice maker in.
5. The appliance must be positioned so that the plug is accessible.

WARNING: fill with potable water only.

CONNECTING YOUR ICE MAKER



DANGER

*** Improper use of the grounded plug can result in the risk of electrical shock. If the power cord is damaged please call our customer service.**

1. This unit should be properly grounded for your safety. The power cord of this appliance is equipped with a three-prong plug which mates with standard three prong wall outlets to minimize the possibility of electric shock.
2. Plug your appliance into an exclusive, properly installed, grounded wall outlet. Do not under any circumstances, cut or remove the third (ground) prong from the power cord. Any questions concerning power and/or grounding should be directed toward a certified electrician.
3. This appliance requires a standard 110-120volt, 60Hz electrical outlet with three-prong ground.

CLEANING AND MAINTAINING YOUR ICE MAKER

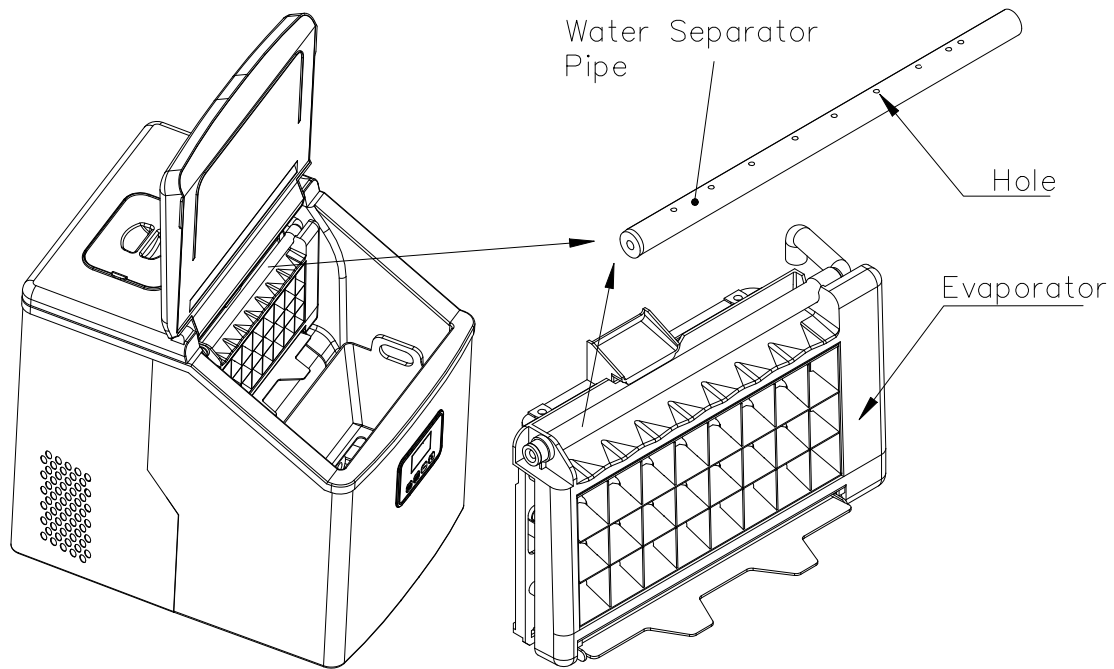
Before using your ice maker, it is strongly recommended to clean it thoroughly.

1. Take out the ice basket.
2. Clean the interior with diluted detergent, warm water and a soft cloth.
3. Then use the water to rinse the inside parts, and drain out the water from the draining port by unplugging the drain cap on the back.
4. The outside of the ice maker should be cleaned regularly with a mild detergent solution and warm water.
5. Dry the interior and exterior with a soft cloth.
6. When the machine is not in use for a long time, open the water drain cap to drain water completely out from the water reservoir.

After using your ice maker for a long time, we suggest you clean your unit.

Especially the water separator pipe and the water filters. These must be cleaned periodically.

1. If the water separator pipe is blocked, meaning there is no water flowing through, and the compressor and water pump inside are still working, please turn off the unit first and remove the pipe and clean it. Clean the each hole on the pipe wall as displayed in following picture. After cleaning, reinstall the water separator pipe and be sure the right terminal of the pipe connects to the silicone pipe well.



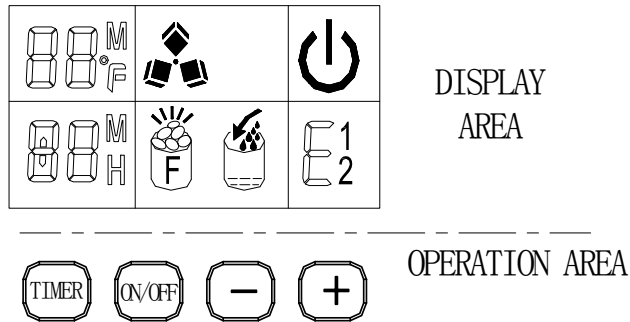
2. Both the water tank and water reservoir should be cleaned with diluted detergent, warm water, and a soft cloth. Then use water to rinse the inside, and drain out the water from the draining port by unplugging the drain cap on the back. It will help you keep the unit and newly made ice cubes clean and also help the unit function properly.
3. When cleaning, if you find that a ice cube is stuck on the evaporator and can't be taken out easily, turn on the unit and let it begin the ice making process. Then press the "ON/OFF" button for more than 5 seconds to start the ice harvest process to melt the ice cube. This helps to remove a trapped ice cube.

How to drain out the water from the internal tank and water reservoir

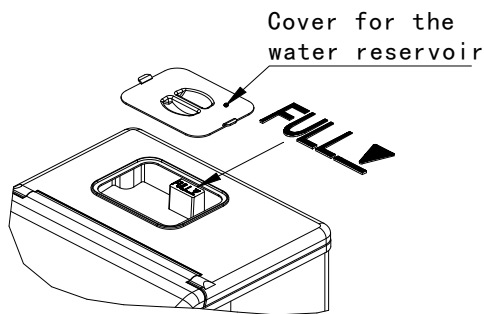
If there is water in the reservoir and you want to drain away all the water, please plug in the unit, but don't start it. Simply remove the drain port cap in the back. Wait a few minutes and all of the water will flow out.

USING YOUR ICE MAKER



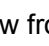



Operation panel and display area



1. Remove the cover of the water reservoir and pour potable water into water reservoir. And be sure to keep water level below the max level with **FULL** mark displayed in following picture. **Then close the cover at once to avoid the entry of unwanted materials.**



Warning: Do not pour water into the internal water tank located underneath the ice basket. This tank is not big enough and will affect ice making performance.

2. When you plug in the unit, the power symbol <  > will flash. Press the <ON/OFF> button and it will start making ice cubes; the ice making symbol <  > will keep be visible. The left upper corner of display area will show the ambient temp, i.e: 80 °F means the ambient temp is 80 °F. After several minutes, this area will show a flashing number, this is the ice making countdown, i.e: 10M means the ice making process will finish in 10 minutes.
3. When ice maker harvest, this <  > will flash. Water will flow from the top water reservoir to bottom water tank through the solenoid valve, the <  > will display. When the water in the bottom water tank is full. The symbol  will shut off, then the next ice making cycle start again. When there is no water in the water reservoir, the symbol <  > will stay on. Turn off the unit and fill water again, then restart the unit to make ice cubes. Or fill water directly and wait 20mins, the unit will restart the process.

Note: The ice making cycle lasts about 13 to 25 minutes, depending on the room temperature. During first use and based on initial water temperature, the ice-making time will be a little longer. In extreme room temperatures ice-making time may vary, but will not exceed 35 minutes.

If you think the ice cubes are not thick enough, during ice making process press the <+> and <-> to set the ice making times. Press one time and the ice making cycle will increase or decrease one min, 6 minutes at most in either direction. This will start for the next cycle.

4. When Ice Full symbol is on, the unit will stop. Take out the ice cubes inside and the unit will start working again.

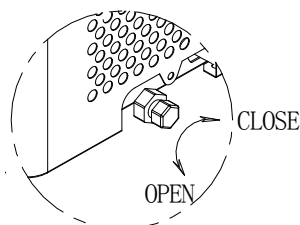
If you press the button <ON/OFF> more than 5 seconds, when the ice maker is working, the unit will start to harvest. Press button <ON/OFF> and the unit will turn off.

Timer settings

Unit is on timer setting: When the unit is working, the timer setting is off. Unit is off timer setting: When the unit is off, the timer setting is on.

Press the <TIMER> button, the display will show <1H>, then press <+> and <-> to adjust the desired time. When setting, the H will flash, after 5 seconds the H will remain on and unit will use your set time.

5. Water Drain: take off the drain plug cap on the back of unit. Take out the silicon plug, then drain the water inside. It is best to change water every 24 hours and the clean unit every 3 days.



Warning

A. Make sure the water tank, water filter and the water separator pipe are not blocked. Clean them if needed.




B. The water temperature will effect the ice making process. Lower temperatures will make more ice cubes.

C. The cooler the outside temperature, the more ice cubes will be made.

D. Always use good quality water to ensure the pump works well. Bad quality water will cause pump noise, but doesn't affect the unit working.

E. The compressor will restart 3 minutes later if you turn off the unit.

TROUBLESHOOTING

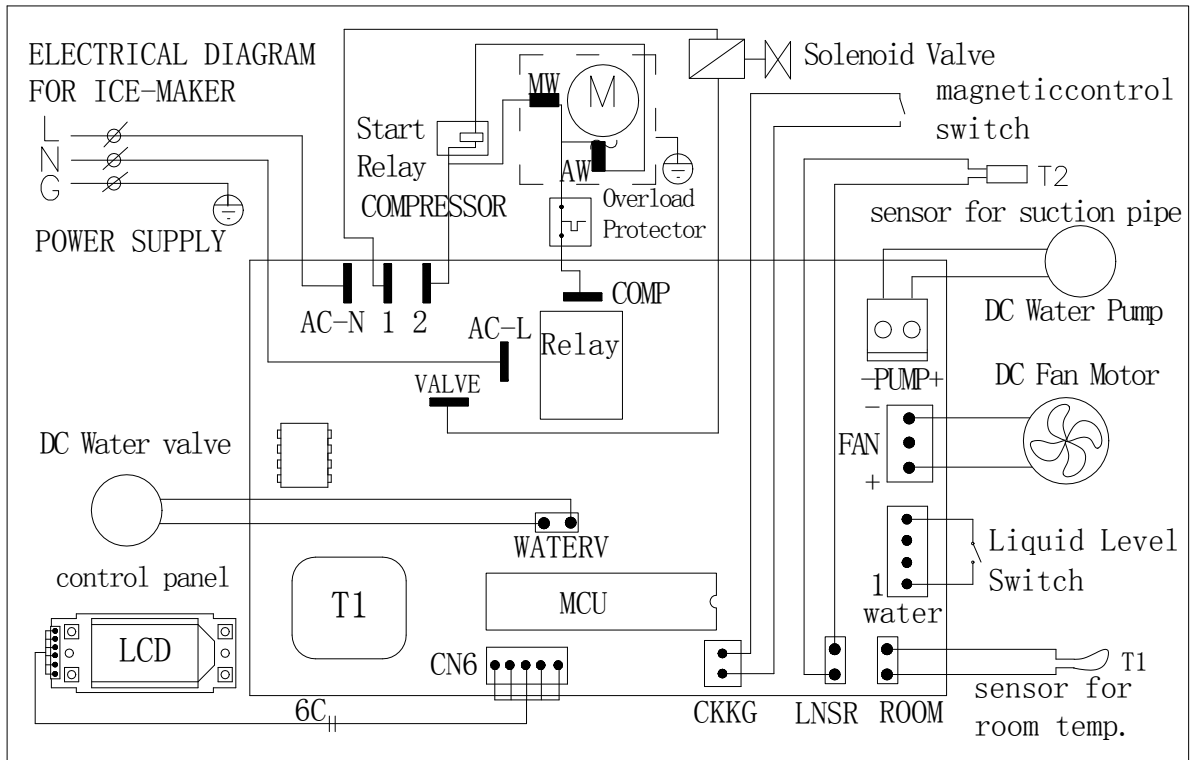
PROBLEM	POSSIBLE CAUSE	SOLUTION
 < > is on	Lack of water	Turn off the unit and add water to <FULL>level, then re-start the unit.
 < > is on	Too much ice cube in the basket	Remove the ice cube in the basket
The water reservoir has water, but  < > is on	Inlet solenoid valve breakdown	Need a technical service person to perform maintenance
<E1> is on	Ambient temp sensor breakdown	The unit can still work, change with a new sensor
<E2> is on	Refrigerating tube sensor breakdown	The unit can still work, change with a new sensor
No water in the water Separator pipe	The holes are blocked	Use slim wire to prick each hole, until the water can flow out easily.
	Water filter is blocked	Clean the water filter
Ice cubes are thick and can't drop down	Ice making cycle too long	Press <-> to reduce the ice making time.
Ice cubes are too thin	Ambient temp too high	Move the unit to cool place
	Water temp too high	The water temp should be no more more than 25°C (77°F) .
	Ice making too short	Press <+> to increase the ice making Time.
Unit sounds like its working but no ice cubes are made	Ambient temp is high or the water temp is high	Move the unit to somewhere ambient Temp lower than 30°C (86°F), fill cool water.
	Refrigerant system leakage	Need a technical service person to perform maintenance
	Refrigerant system block	Need a technical service person to perform maintenance

TECHNICAL PARAMETERS & CIRCUIT DIAGRAM

TECHNICAL PARAMETERS

Model	
Protection Type	I
Power	115V/60Hz
Ice Making Current	1.6A
Ice Harvest Current	2.6A
Refrigerant	R600a 1.13Oz/32g
Design Pressure	
High Side	260Psig
Low Side	88Psig
Net Weight	11kg
Enclosure	Stainless

CIRCUIT DIAGRAM





Manufacturer's 1-Year Limited Warranty

The manufacturer warrants that all parts and components are defect free in materials and workmanship for 1 year. This warranty is valid only in accordance with the conditions set forth below:

1. The warranty extends only to the original consumer purchaser and is not transferable. In addition, proof of purchase must be demonstrated.
2. This limited warranty is the only written or express warranty given by the manufacturer. Any implied warranty of merchantability or fitness for a particular purpose on this product is limited in duration to the duration of this warranty. Some states do not allow limitations on how long an implied warranty lasts, so the above limitation may not apply to you.
3. This warranty gives you specific legal rights. You may also have other rights which vary by state

Procedure for Replacement or Return within the 1 Year:

To return the product for replacement or refund within the 1 year, the original purchaser must pack the product securely and send it postage paid with a description of the reason for replacement or refund, proof of purchase, and include your order number on the package, to the following address:

Deco Chef
80 Carter Drive
Edison, NJ 08817