

BERT FRANK



RINATO

# CHANDELIER 4

Four signature powder-coated light shades made from stainless-steel with an angular form are joined by solid brass fixtures, positioned away from the central column. The shades - reminiscent of Art Deco architecture, are joined by solid brass fixtures, positioned away from the central column.



Antique brass | Texture black | Castagno brown

## MATERIALS

Brass | Leather | Steel

## DIMMING

DALI Dimmable option available

## IP RATING

IP20

## LIGHT SOURCE

50w | 2850lm (source) | LED 2700k | Warm White | CRI>90

## DIMENSIONS

Height to order  
1515mm L | 1515mm w  
60in L | 60in w

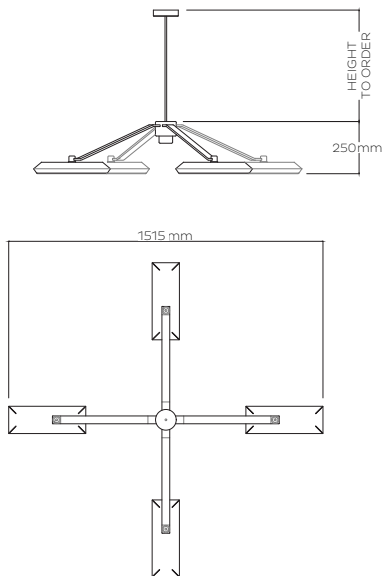
## DROP

Height includes 60in | 1525mm  
Add height for additional fee.

## FINISHES

Standard finishes listed below.  
Bespoke finishes available upon request.  
Metalwork lacquered as standard.

## LINE DRAWINGS



## SOLID BRASS METALWORK



SATIN NICKEL BRUSHED BRASS ANTIQUE BRASS DARK BRONZE

## LEATHER INLAY



OLIVA GREEN NAPOLITAN PAPAVERO RED CASTAGNO BROWN NAVY

## POWDER COAT FINISHES



SATIN WHITE SATIN HAZEL SATIN GREY SATIN OLIVE SATIN BLACK

TEXTURED CREAM TEXTURED GREEN TEXTURED BLUE TEXTURED OX BLOOD TEXTURED BLACK

