

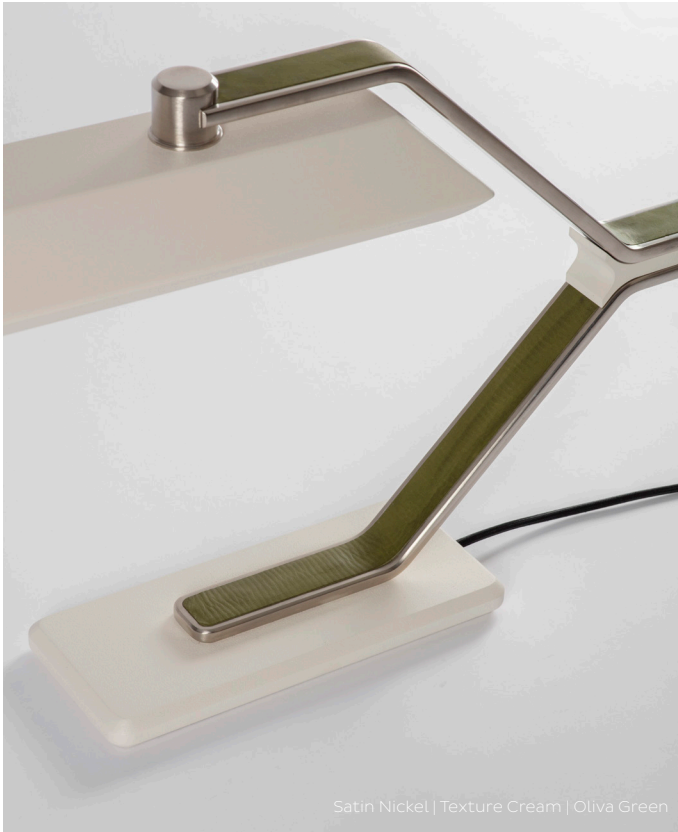
BERT FRANK



RINATO

TABLE LAMP

The distinctive angular frame of the Rinato Table Lamp is combined with the signature powder-coated, stainless steel light shade from the range, supported with a solid brass base. A task light suitable for a home office, workspace or hospitality setting.



Satin Nickel | Texture Cream | Oliva Green

MATERIALS

Brass | Leather | Steel

DIMMING

On/Off (non-dimmable as standard)

IP RATING

IP20

LIGHT SOURCE

10w | 580lm (source) | LED 2700k | Warm White | CRI>90

DIMENSIONS

350mm H | 595mm L | 135mm w
13.7in H | 23.4in L | 5.3in w

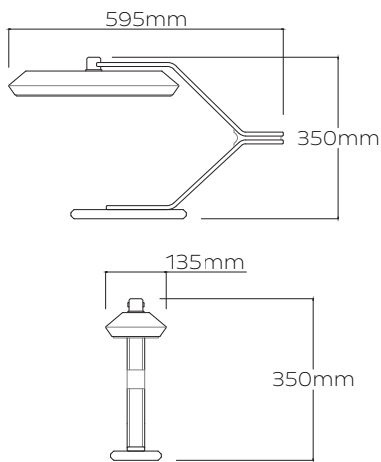
CORD

2000mm fabric cord provided
Inline dimmer on cord

FINISHES

Standard finishes listed below.
Bespoke finishes available upon request.
Metalwork lacquered as standard.

LINE DRAWINGS



SOLID BRASS METALWORK



SATIN NICKEL BRUSHED BRASS ANTIQUE BRASS DARK BRONZE

LEATHER INLAY



OLIVA GREEN NAPOLITAN PAPAVERO RED CASTAGNO BROWN NAVY

POWDER COAT FINISHES



SATIN WHITE SATIN HAZEL SATIN GREY SATIN OLIVE SATIN BLACK



TEXTURED CREAM TEXTURED GREEN TEXTURED BLUE TEXTURED OX BLOOD TEXTURED BLACK

