

BERT FRANK



RINATO

CHANDELIER 3

the Rinato Chandelier 3 features three signature powder-coated light shades made from stainless-steel with an angular form. The shades - reminiscent of Art Deco architecture, are joined by solid brass fixtures, positioned away from the central column.



MATERIALS

Brass | Leather | Steel

DIMMING

DALI Dimmable option available

IP RATING

IP20

LIGHT SOURCE

40w | 2300lm (source) | LED 2700k | Warm White | CRI>90

DIMENSIONS

Height to order
1375mm L | 250mm w
54in L | 10in w

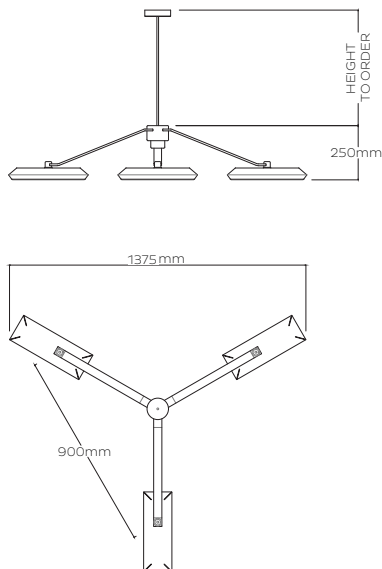
DROP

Height includes 60in | 1525mm
Add height for additional fee.

FINISHES

Standard finishes listed below.
Bespoke finishes available upon request.
Metalwork lacquered as standard.

LINE DRAWINGS



SOLID BRASS METALWORK



SATIN NICKEL BRUSHED BRASS ANTIQUE BRASS DARK BRONZE

LEATHER INLAY



OLIVA GREEN NAPOLITAN PAPAVERO RED CASTAGNO BROWN NAVY

POWDER COAT FINISHES



SATIN WHITE SATIN HAZEL SATIN GREY SATIN OLIVE SATIN BLACK

TEXTURED CREAM TEXTURED GREEN TEXTURED BLUE TEXTURED OX BLOOD TEXTURED BLACK

