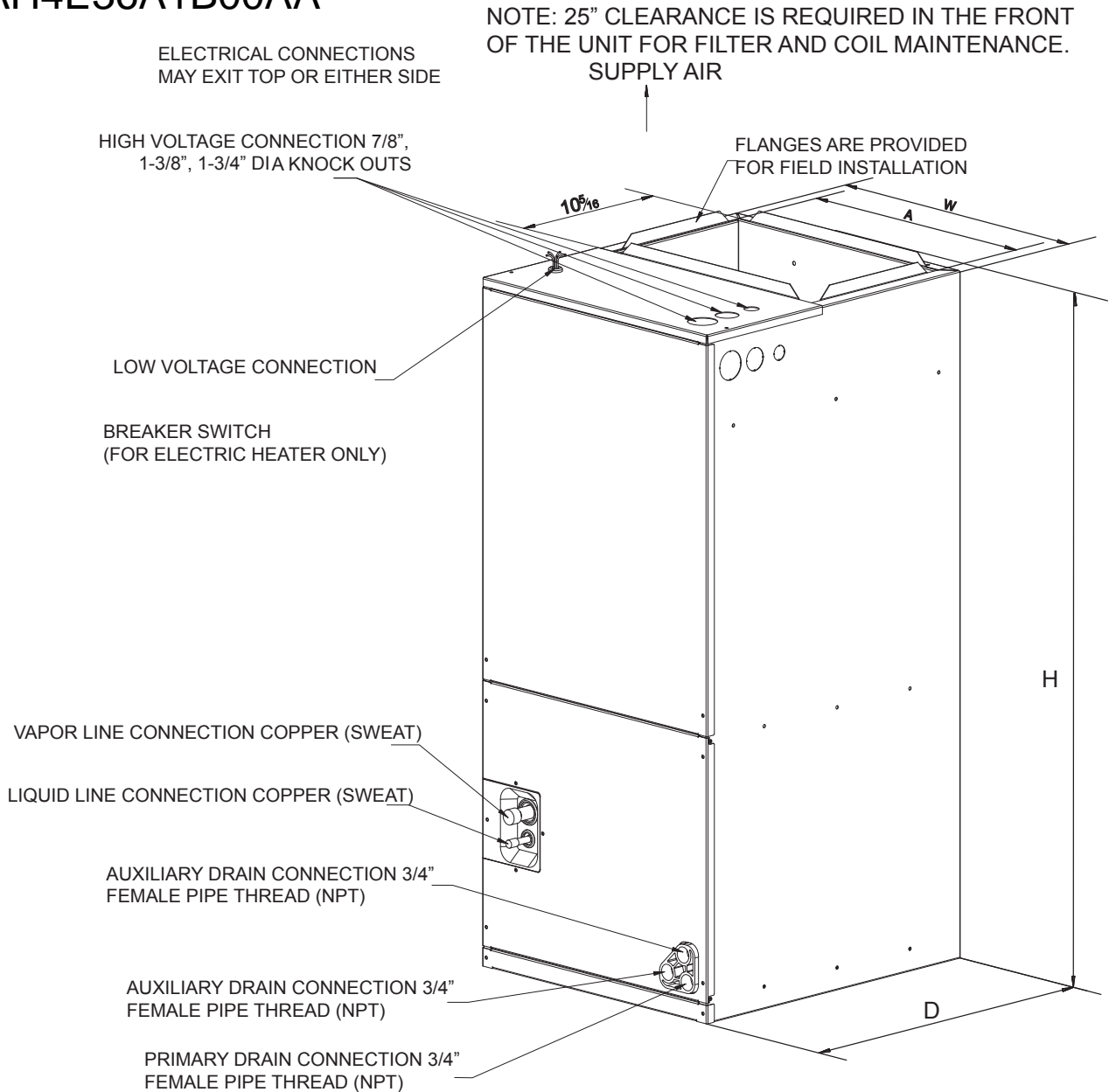


TAG: \_\_\_\_\_

**SUBMITTAL**

**3.0 Ton  
Multi-position Air Handler  
J4AH4E36A1B00AA**



UPFLOW UNIT SHOWN;  
UNIT MAY BE INSTALLED UPFLOW, DOWNFLOW,  
HORIZONTAL RIGHT, OR LEFT AIR SUPPLY.

NOTE: All dimensions are in mm/inches.

Model	H	W	D	A
J4AH4E36A1B00AA	1180 (46-1/2)	500 (19-5/8)	550 (21-5/8)	456 (18)

# PRODUCT SPECIFICATIONS

## PRODUCT SPECIFICATIONS

MODEL	J4AH4E36A1B00AA
RATED VOLTS/PH/HZ.	208-230/1/60
RATINGS	See O.D. Specifications
INDOOR COIL — Type	Plate Fin
Rows — F.P.I.	4 - 17
Face Area (sq. ft.)	4.01
Tube Size (in.)	9/32
Refrigerant Control	Orifice
Drain Conn. Size (in.)	3/4 NPT
DUCT CONNECTIONS	See Outline Drawing
INDOOR FAN — Type	Centrifugal
Diameter-Width (In.)	10-5/8 X 10-3/4
No. Used	1
Drive - No. Speeds	Direct - 5
CFM vs. in. w.g.	See Fan Performance Table
No. Motors — H.P.	1 - 1/2
Motor Speed R.P.M.	1050
Volts/Ph/Hz	208-230/1/60
F.L. Amps	3.0
FILTER	
Filter Furnished?	No
Type Recommended	Throwaway
No.-Size-Thickness	1 - 18 X 20 - 1 in.
REFRIGERANT	R-410A
Ref. Line Connections	Brazed
Coupling or Conn. Size — in. Gas	3/4
Coupling or Conn. Size — in. Liq.	3/8
DIMENSIONS	H x W x D
Crated (In.)	47-4/5 x 22-3/5 x 25-7/10
Uncrated	46-1/2 x 19-5/8 x 21-5/8
WEIGHT	
Shipping (Lbs.)/Net (Lbs.)	141/125



Heater Kit Model Used	Electric Heat (kW)	Min. Circuit Ampacity		Max. Fuse or Breaker (HACR) Ampacity		Minimum Heating Blower Speed	
		240V	208V	240V	208V	Without HP	With HP
JAYHTR1A05BKR*	5	29.9	26.4	30	30	Low	Low
JAYHTR1A08BKR*	7.5	42.9	37.7	45	40	Low	Low
JAYHTR1A10BKR*	10	55.9	49	60	50	Low	Low
JAYHTR1A15BKR*	15	55.9/26.1	49/22.6	60/30	50/25	Low	Low
JAYHTR1A20BKR*	20	55.9/52.1	49/45.2	60/60	50/50	Low	Low

Note: Factory set at Medium High Speed.

Motor Speed	AIR FLOW PERFORMANCE									
	J4AH4E36A1B00AA									
	External Static Pressure-Inches W.C. (kPa)									
		0(0)	0.1(.02)	0.2(.05)	0.3(.07)	0.4(.10)	0.5(.12)	0.6(.15)	0.7(.17)	0.8(.20)
1	CFM	898	752	603	511	405	360	301	259	203
2	CFM	1026	902	810	694	630	544	490	409	366
3	CFM	1161	1114	1052	992	893	825	768	694	646
4	CFM	1287	1244	1186	1142	1078	969	914	892	893
5	CFM	1491	1442	1396	1348	1302	1243	1150	1088	1029

# Mechanical Specifications

---

- Unique Cabinet Design
- Metal shell and glass cotton thermal insulation layer
- Multi-Position UP/Down Flow Horizontal Left /Right
- Braze in Refrigerant Connection
- Primary/Secondary Condensate Connections
- Blower with Integrated Slide Deck for Easy Removal
- Inner-groove aluminum tube and high-efficiency aluminum fin Coil with Integrated Slide Deck for Easy Removal
- More auxiliary Electric Heaters optional
- ECM5 Speed Motor
- High Efficiency
- Integrated Horizontal Drain pans and metal Vertical Drain
- Fused 24V Power
- 5-Year Warranty.
- Warranty Mirrors Outdoor.
- Optional extended warranty available.
- Suitable for Manufactured/Mobile Home Use.



The manufacturer has a policy of continuous product and product data improvement and it reserves the right to change design and specification without notice.

**BX-PRQ-J4AH4E36A1B00A-1A**