

SUBMITTAL DATA

4LIV24HP230V1AH / 4LIV24HP230V1AO
24000 BTU/H Wall Mounted Heat Pump System

Job Name <input type="text"/>	Location <input type="text"/>	Date <input type="text"/>
Purchaser <input type="text"/>	Engineer <input type="text"/>	
Submitted to <input type="text"/>	For <input type="text"/>	
Unit Designation <input type="text"/>	Schedule No. <input type="text"/>	



YAP1F7F



4LIV24HP230V1AH



4LIV24HP230V1AO



XE71 (Optional)

GENERAL FEATURES

- AHRI Certificate: 210278972
- High Efficiency DC Inverter Technology
- Compact and Quiet Design
- Wireless Remote with LCD Display
- Wired Controller Options
- Wi-Fi Included
- Low Ambient Cooling down to 0°F (Range 0°F to 115°F)
- Low Ambient Heating down to -13°F (Range -13°F to 75°F)
- Coil (Indoor and Outdoor) Copper Tube / Aluminum Fin
- Blue Colored Fin - 500 Hrs Salt Spray Tested

SPECIFICATIONS, FEATURES & FUNCTION SUMMARY

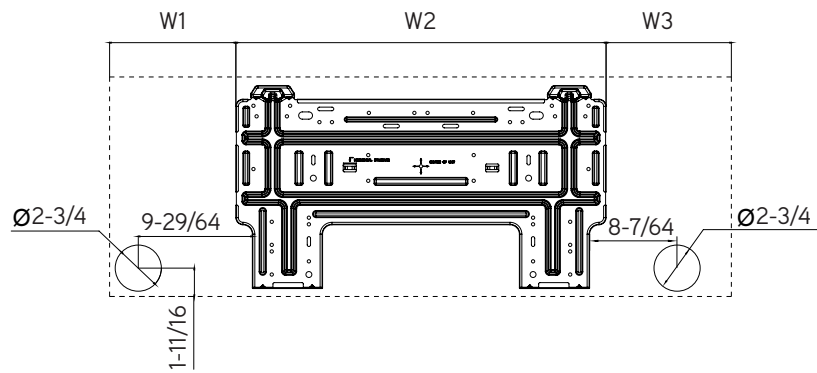
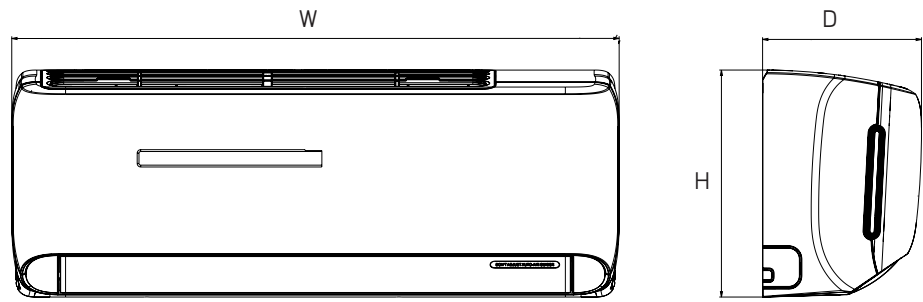
SPECIFICATIONS		4LIV24HP230V1AH / 4LIV24HP230V1AO		FEATURES & FUNCTIONS SUMMARY		4LIV24HP230V1AH / 4LIV24HP230V1AO	
System Type		HEAT PUMP					
SYSTEM PERFORMANCE							
Cooling	Min - Max	Btu/h	6824 - 25249				
	Capacity @95°F	Btu/h	22000				
Heating	Min - Max	Btu/h	5971 - 27296				
	Capacity @5°F	Btu/h					
	Capacity @17°F	Btu/h	13900				
	Capacity @47°F	W	24000				
SEER2	18.0						
EER2	11.6						
HSPF2	8.5						
COP @5°F	3.4						
COP @47°F	3.4						
Cooling Temperature Range	°F	0 - 122					
Heating Temperature Range	°F	-13 - 75					
Refrigerant Type	R410A						
INDOOR UNIT		4LIV24HP230V1AH					
Air flow (Min-Max)	CFM	412 - 677					
Sound Pressure Level (Min - Max)	dB(A)	36 - 51					
Dehumidification	pt/hr	5.28					
External Dimensions (WxHxD)	in	42-7/16 x 13-1/8 x 9-11/16					
Package Dimension (W x H x D)	in	44-5/8 x 16-5/16 x 13-1/8					
Net Weight	lbs	33.1					
Gross Weight	lbs	39.7					
OUTDOOR UNIT		4LIV24HP230V1AO					
Compressor Type	GREE G-10 / 2 - STAGE INVERTER						
Sound Pressure Level	dB(A)	57					
External Dimensions (W x H x D)	in	37-3/4 x 26 x 15-7/8					
Package Dimension (W x H x D)	in	40-5/8 x 29-1/16 x 17-15/16					
Net Weight	lbs	97.0					
Gross Weight	lbs	106.9					
REFRIGERANT PIPING							
Refrigerant Charge - R410A	oz	52.9					
Additional Charge	oz/ft	0.5					
Line Set Size (Liquid - Gas) - Flared Connections	in	1/4 - 5/8					
Pre-Charge Length	ft	25					
Pipe Length (Min - Max)	ft	10 - 82					
Max. Pipe Elevation	ft	33					
ELECTRICAL							
Power Supply	208 - 230V / 1Ph /60Hz						
Voltage Range (Min - Max)	VAC	187 - 253					
Rated Current - Cooling	A	12					
Rated Current - Heating	A	12					
MCA	A	15					
MOCP	A	20					
Suggested Breaker Size	A	15					
Main Power Wire Size	AWG	Per Local Code					
Interconnecting Wire Size	AWG	14 / 4					
SYSTEM FEATURES							
Inverter Type	G10						
Ultra Low Frequency Torque Control	Yes						
Power Factor Correction	Yes						
Compressor Type	High Efficiency Rotary						
Refrigerant Type	R410A						
Basepan With Electric Heater	Yes						
Compressor With Electric Heater	Yes						
Outdoor Fin Coating (Color:Blue)	Acrylic-Resin/Anti-Corrosive						
Intelligent Defrosting	Yes						
Force Defrosting	Yes						
Intelligent Preheating	Yes						
Low Voltage Startup	Yes						
Memory/Power Failure Recovery	Yes						
Self Diagnosis	Yes						
Wired Controller Interface (XE71)	Yes						
WiFi Included	Yes						
Indoor Fan Type	Crossflow						
Multi Fan Speeds	4 Speeds						
Indoor Unit Display	Yes						
Auxiliary Electrical Heater	No						
Ventilation (Outdoor Air)	No						
REMOTE CONTROLLER FUNCTIONS							
Auto Mode	Yes						
Auto Fan	Yes						
Manual Horizontal Swing	Yes						
Auto Swing (Vertical Auto Swing)	Yes						
Clock on Remote Controller	Yes						
Dry Mode	Yes						
Dry Anti-Mildew (X-Fan) Mode	Yes						
Energy Saving Mode	Yes						
Dirty Filter Alert	No						
I Feel Function	Yes						
Lock on Remote Controller	Yes						
Quiet Mode	No						
Room Temperature Display	Yes						
Sleep Mode	Yes						
Timer Mode	Yes						
Turbo Mode	Yes						
Display On/Off Control	Yes						
Freeze Guard Mode (46°F)	Yes						
Display On/Off Control	Yes						

DIMENSIONS

INDOOR UNIT

Unit: inch

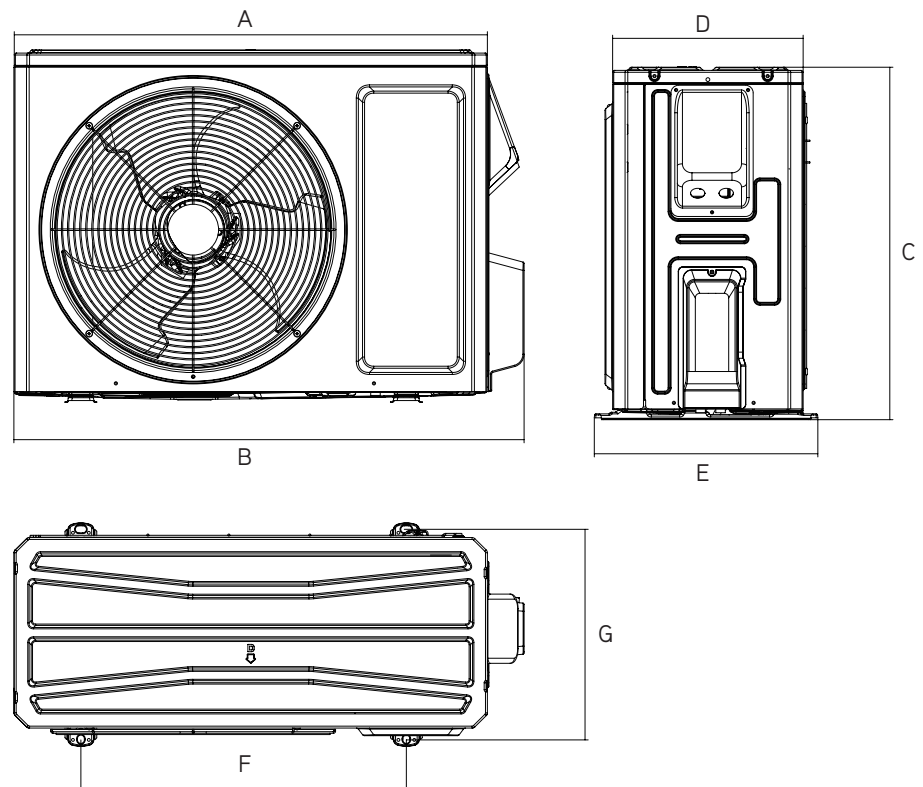
4LIV24HP230V1AH	
DIMENSIONS	
W	42-7/16
H	13-1/8
D	9-11/16
W1	10-3/16
W2	22-3/32
W3	10-5/32



OUTDOOR UNIT

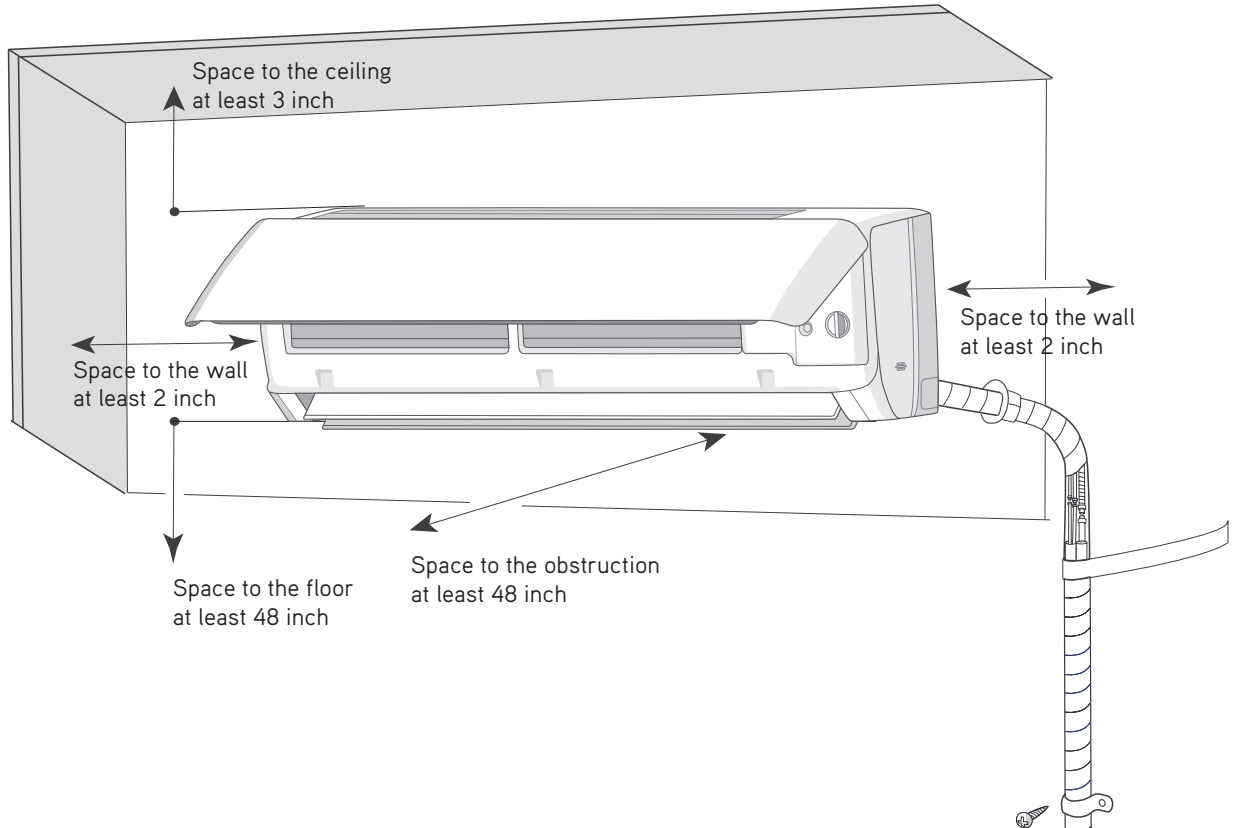
Unit: inch

4LIV24HP230V1AO	
DIMENSIONS	
A	35-25/64
B	37-3/4
C	26
D	13-25/64
E	15-7/8
F	22-13/32
G	14-19/32



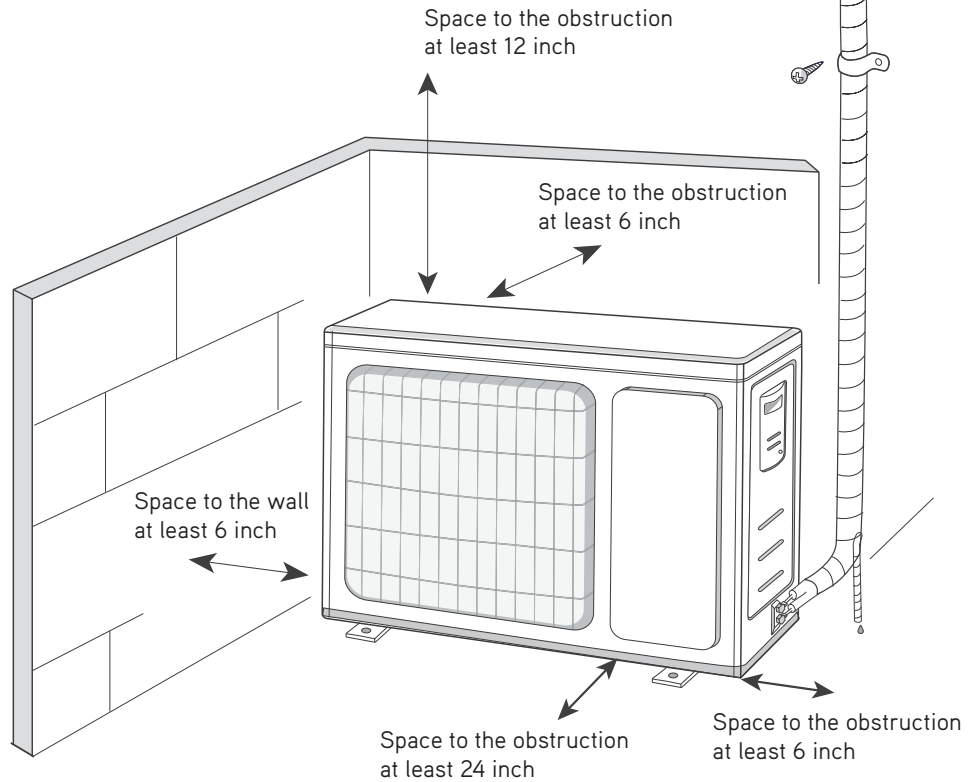
CLEARANCES

INDOOR UNIT Minimum clearance



OUTDOOR UNIT Minimum clearance

NOTE:
If bottom of the unit is free of airflow obstructions similar to the mounting bracket figure, the clearance to the wall on the back can be reduced to 3 inches.



Specifications are subject to change without notice. Manufacturer reserves the right to discontinue or modify specifications or designs without notice or without incurring obligations. All Rights reserved.