








CIARRA

 ENGLISH	INSTALLATION AND USER'S MANUAL	Page 1-19
 DEUTSCH	BENUTZERHANDBUCH&INSTALLATION SANLEITUNG	Seite 20-38
 FRANÇAIS	MANUEL DE L'UTILISATEUR ET D'INSTALLATION	Page 39-57
 ITALIANO	INSTALLAZIONE E MANUALE DELL'UTENTE	Pagina 58-76
 ESPAÑOL	MANUAL DE USUARIO E INSTRUCCIONES DE INSTALACIÓN	Página 77-95
 NEDERLANDS	INSTALLATIE- EN GEBRUIKERSHANDLEIDING	Pagina 96-114
 SVENSKA	INSTALLATION- OCH BRUKSANVISNING	Sida 115-133



Phone Scanning, Hood Installing

www.ciarra.store

Dear customer:

Congratulations on purchasing this device. This instruction manual is designed to provide you with all required instructions related to the installation, use and maintenance of the appliance. In order to operate the unit correctly and safety, please read this instruction manual carefully before installation and usage.

The cooker hood use high quality materials, and is made with a streamlined design. Equipped with large power electric motor and centrifugal fan, it also provides strong suction power, low noise operation, non-stick grease filter and easy assembly installation.

Scan the QR code to get access to contact CIARRA Amazon Service if you have any question.

E-mail: info@ciarra.store

Scan to contact CIARRA Amazon Service



UK



DE



FR



IT



ES



NL



SE



PL

CONTENTS

Safety -----	3-4
Specifications -----	5
Components -----	5
Installation -----	6-13
Prepare for Installation-----	6
Recommended Tools for Installation-----	7
Install the Hood-----	8-12
Activated Carbon Filter Installation-----	13
Operation -----	14
Cleaning and Maintenance -----	15-17
Motor	
Grease Filter	
Fan Blade	
Activated Carbon Filter	
Stainless Steel Cleaning	
Painted Finish Cleaning	
Bulb Replacement	
Troubleshooting -----	18
Environmental Protection -----	19

WARNING

TO REDUCE THE RISK OF FIRE, ELECTRIC SHOCK, OR INJURY TO PERSONS, OBSERVE THE FOLLOWING:



- Use this unit only in the manner intended by the manufacturer. If you have questions, contact the manufacturer at the address or telephone number listed in the warranty.
- Before servicing or cleaning unit, switch power off at service panel and lock the service disconnecting means to prevent power from being switched on accidentally. When the service disconnecting means cannot be locked, securely fasten a prominent warning device, such as a tag, to the service panel.
- Installation work and electrical wiring must be done by a qualified person(s) in accordance with all applicable codes and standards, including fire-rated construction.
- Sufficient air is needed for proper combustion and exhausting of gases through the flue (chimney) of fuel burning equipment to prevent back drafting.
- When cutting or drilling into wall or ceiling, do not damage electrical wiring and other hidden utilities.
- Ducted fans must always be vented to the outdoors.
- Do not use this unit with any additional solid-state speed control device.
- This unit must be grounded.
- When applicable local regulations comprise more restrictive installation and/or certification requirements, the aforementioned requirements prevail on those of this document and the installer agrees to conform to these at his own expense.

TO REDUCE THE RISK OF A RANGE TOP GREASE FIRE:



- 1) Never leave surface units unattended at high settings. Boilovers cause smoking and greasy spillovers that may ignite. Heat oils slowly on low or medium settings.
- 2) Always turn hood ON when cooking at high heat or when flam being food.
- 3) Clean ventilating fan frequently. Grease should not be allowed to accumulate on fan, filters or in exhaust ducts.
- 4) Use proper pan size. Always use cookware appropriate for the size of the surface element.

Safety

WARNING

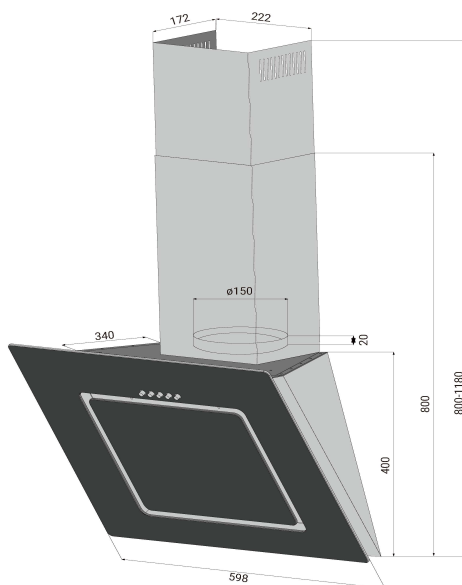
TO REDUCE THE RISK OF INJURY TO PERSONS IN THE EVENT OF A RANGE TOP GREASE FIRE, OBSERVE THE FOLLOWING*:

1. SMOTHER FLAMES with a close-fitting lid, cookie sheet or metal tray, then turn off the burner. BE CAREFUL TO PREVENT BURNS. IF THE FLAMES DO NOT GO OUT IMMEDIATELY, EVACUATE AND CALL THE FIRE DEPARTMENT.
2. NEVER PICK UP A FLAMING PAN — You may be burned.
3. DO NOT USE WATER, including wet dishcloths or towels — This could cause a violent steam explosion.
4. Use an extinguisher ONLY if:
 - a) You own a Class ABC extinguisher and you know how to operate it.
 - b) The fire is small and contained in the area where it started.
 - c) The fire department has been called.
 - d) You can fight the fire with your back to an exit.

CAUTION

- For indoor use only.
- For general ventilating use only. Do not use to exhaust hazardous or explosive materials and vapors.
- To avoid motor bearing damage and noisy and/or unbalanced fan blade, keep drywall spray, construction dust, etc. off range hood.
- Your hood motor has a thermal overload which will automatically shut off the motor if it becomes overheated. The motor will restart when it cools down. If the motor continues to shut off and restart, have the hood serviced.
- Always follows the cooking equipment manufacturer's requirements regarding the ventilation needs.
- To reduce the risk of fire and to properly exhaust air, be sure to duct air outside — Do not exhaust air into spaces within walls or ceiling or into attics, crawl space or garage.
- When installing, servicing or cleaning the unit, it is recommended to wear safety glasses and gloves.
- Please read specification label on product for further information and requirements.

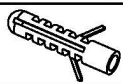









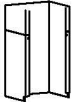

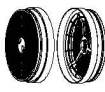
Specifications



Voltage	220V-240V~ 50Hz
Power of Motor	1 x 70W
Power of lamps	2 x 1W
Cable length	1.5M
Appliance Dimension	598*340*800~1180mm (W x D x H)
Note: The manufacturer reserves the right to change any technological improvement or modification without prior notice.	

EN

Components

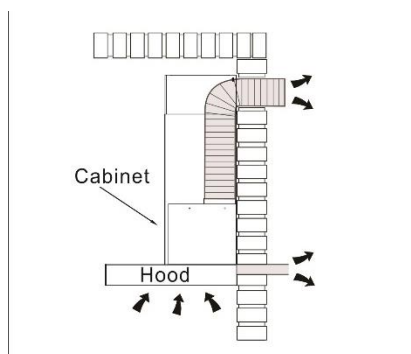
No.	Description	QTY	Drawing	No.	Description	QTY	Drawing
1	Wall Plug	9		8	Lower Chimney Bracket	1	
2	4*30mm Screws	9		9	Upper Chimney Bracket	1	
3	4*8mm Screws	6		10	Wall Bracket	1	
4	Aluminum Flex Pipe	1		11	Installation Manual	1	
5	Cable Ties	2		12	Hood Body	1	
6	Lower Decorative Chimney	1		13	Upper Decorative Chimney	1	
7	Activated Carbon Filter	2					

Installation

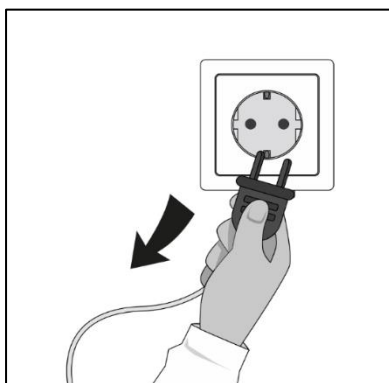
Prepare for installation:

- a) If you have an outlet to the outside, your cooker hood can be connected as below picture by means of an extraction duct (enamel, aluminum, flexible pipe or inflammable material with an interior diameter of 150mm).

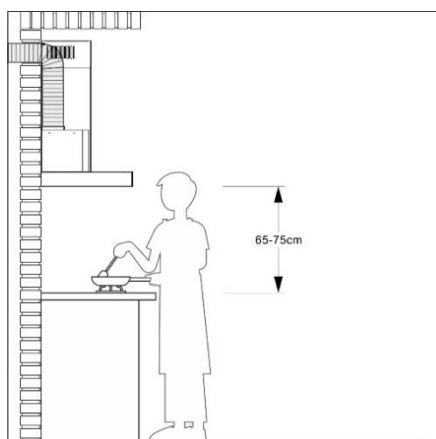
Choose a straight, short duct run to allow the hood to perform most efficiently. Long duct runs, elbows and transitions will reduce the performance of the hood. Use as few of them as possible. When possible, use at least 2 feet straight runs before any turns. Larger ductwork may be required for best performance with longer duct runs.



- b) Before installation, turn the unit off and unplug it from the outlet.



- c) The cooker hood should be placed at a distance of 65~75cm above the cooking plane for best effect.



Recommended Tools for Installation

- Measuring tape
- Phillips screwdriver no. 2
- Flat blade screwdriver (to open knockout holes)
- Drill, 1/8" drill bit and 1½" hole saw (to mark holes for ducting and cut electrical access hole)
- Wood shims (2) and wood screws (4) (required for standard installation to framed cabinet)
- Saw (to cut holes for ducted application)
- Sheet metal shears (ducted installation only, for duct adjustment)
- Pliers (ducted installation only, for duct adjustment)
- Metal foil duct tape (for ducted applications)
- Scissors (to cut metal foil duct tape)
- Pencil
- Wire stripper
- Strain relief, 1/2" diameter (to secure house wiring cable to the hood)



CAUTION: Before proceeding to the installation, check the contents of the box. If items are missing or damaged, contact the CIARRA.

Observe all governing codes and ordinances. Have a qualified technician install the range hood. It is the installer's responsibility to comply with installation clearances specified on the model/serial rating plate. The CIARRA declines all responsibility for improper installation and does not accept responsibility for appliance warranty in the event of damage caused by incorrect installation.

Installation

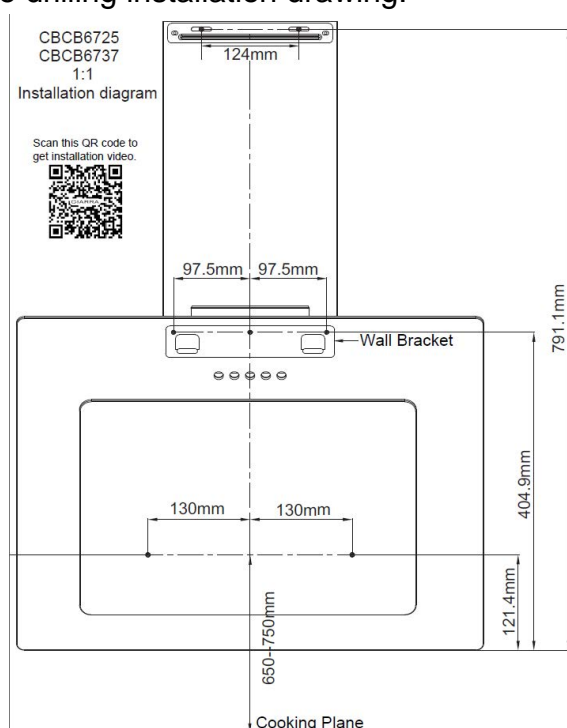


Attention: Observe the warning in the instruction sheet concerning the operation of the appliance when air is discharged from the room.

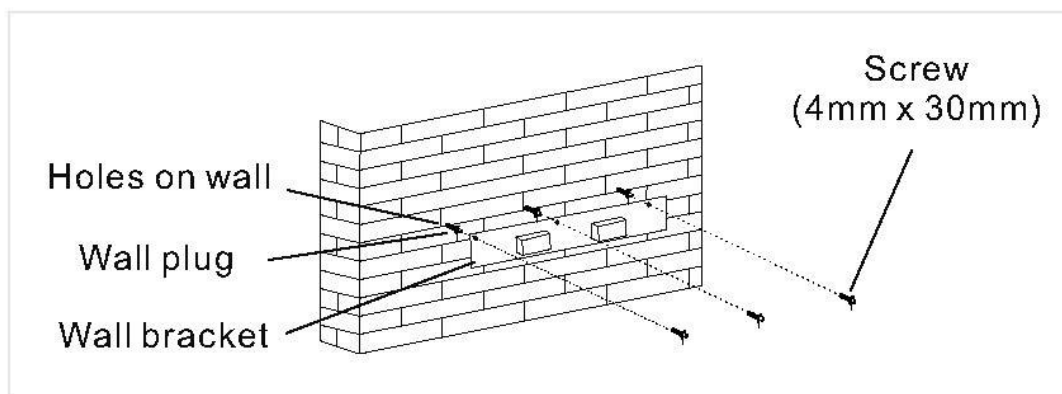
When the range hood and appliance supplied with energy other than electricity are simultaneously in operation, the negative pressure in the room must be not exceed 4 Pa (4×10^{-5} Bar).

Install the Hood (VENT OUTSIDE) :

- 1) If present, remove all protective poly film from the hood and/or parts.
- 2) Below is the hole drilling installation drawing:

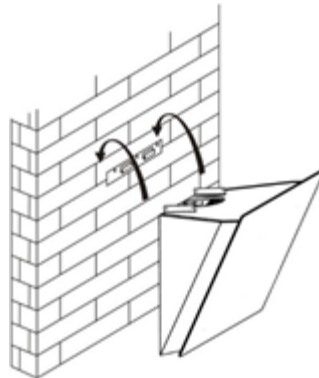


- 3) According to the 1:1 hole drawing, Drill 3* \varnothing 8mm holes to accommodate the bracket. Screw and tighten the bracket onto the wall with the screws & Wall plugs provided.

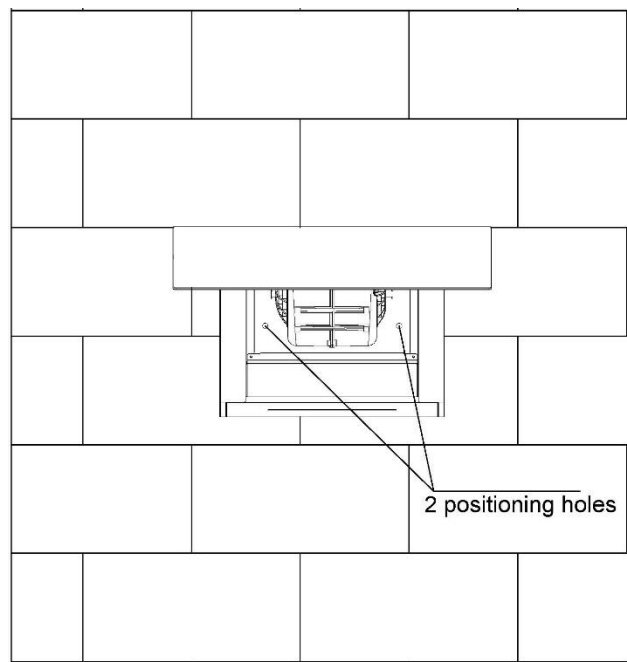
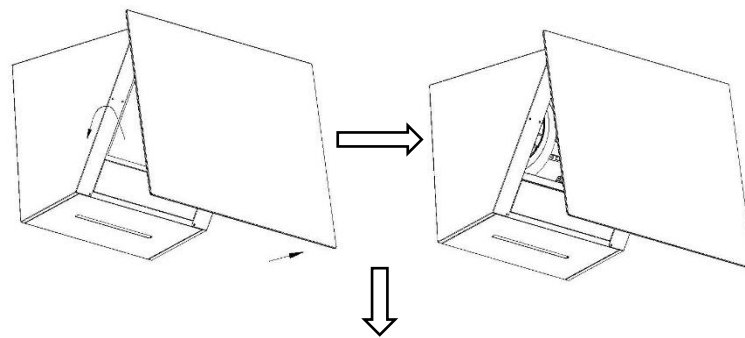


Installation

- 4) Hang the cooker hood onto the wall bracket.

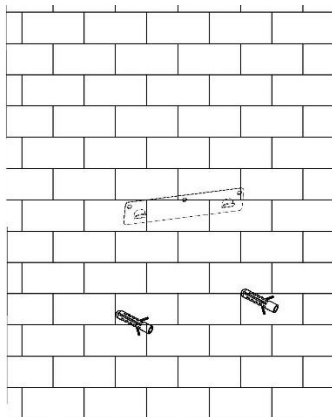


- 5) Open the glass panel, take out the grease filter, find the two positioning holes inside the case in the figure, mark with pen respectively, and then take down the cooker hood.

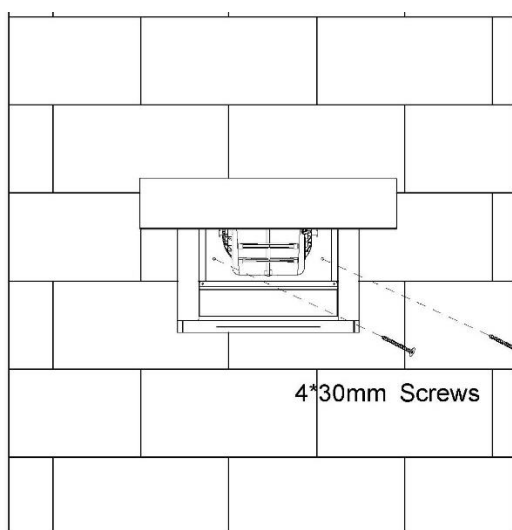


Installation

- 6) Drill two 8mm holes in the marked position on the wall with an electric drill, and then put the wall plug in.



- 7) Hang the cooker hood on the wall bracket again. After that, use two 4 * 30mm screws to lock the corresponding positioning in the figure.

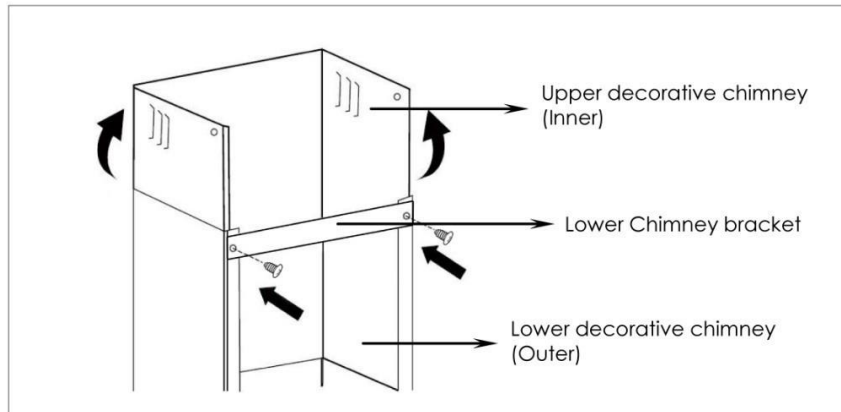


- 8) The lower chimney bracket is used to fix the upper decorative chimney and lower decorative chimney.

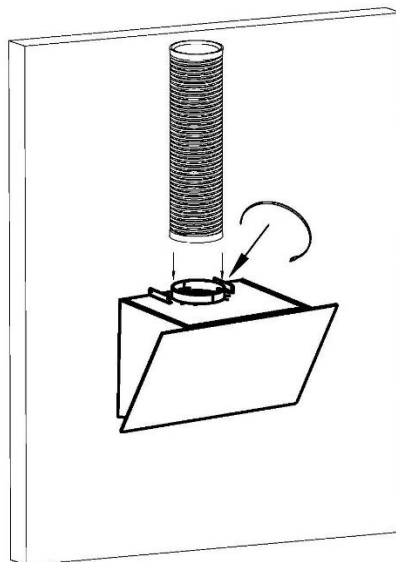
Use 2pcs ST4x8mm screws to attach lower and upper chimney together. Before attaching the bracket to the chimney, decide the location of lower chimney bracket fixing holes for fixing the lower chimney bracket in the later step.

Do not fasten screws too much, make sure upper decorative chimney can be telescopically adjusted after assembled.

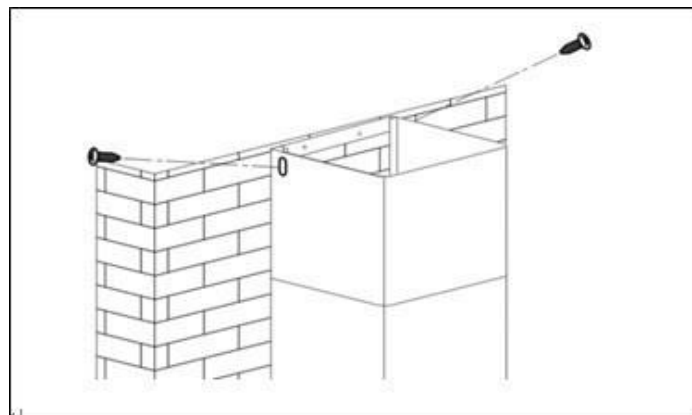
Installation



- 9) Put the Aluminum Flex Pipe on the air outlet of the cooker hood and fix the tube with the Cable Ties.

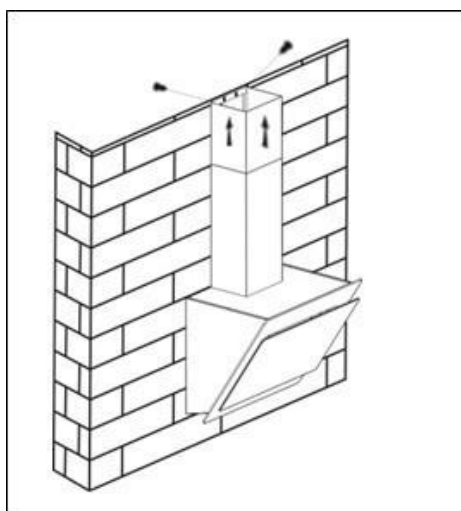


- 10) Put the chimney on the cooker hood. Fix the lower chimney bracket on the wall by 2 screws (4mm x30mm).

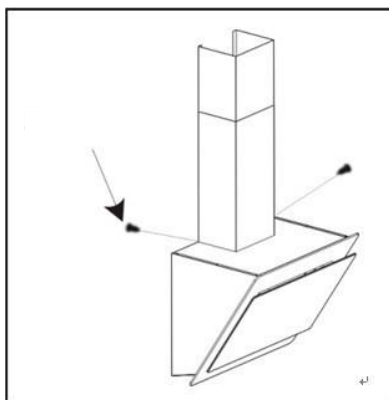


Installation

- 11) Then pulling out the upper chimney upwards to the target height. Adjust to reach the height required.
- 12) Fix the upper chimney on the upper chimney bracket by 2 screws (4x8mm). Then fix the upper chimney bracket on the wall. Before fixing the bracket on the wall, you can decide the upper chimney bracket fixing holes for installation.



- 13) Fix the lower chimney with 2 pcs of ST4x8mm screws on the cooker hood.



NOTE:

- Connect ductwork to hood and use metal foil duct tape to make joints secure and air-tight.
- Make sure the damper assembly (or round duct plate) enters the ductwork and that the damper opens and closes freely.

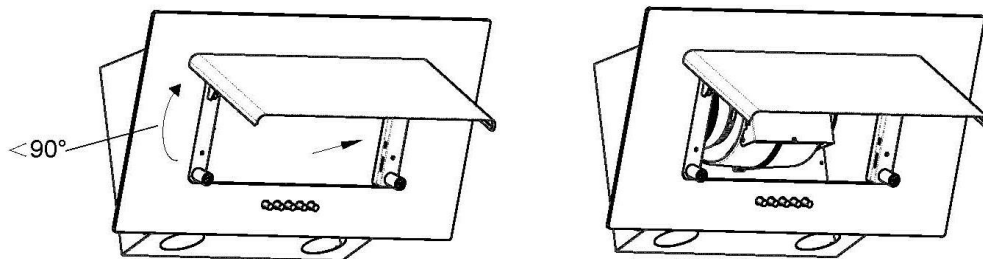
Installation

Activated Carbon Filter Installation (VENT INSIDE) :

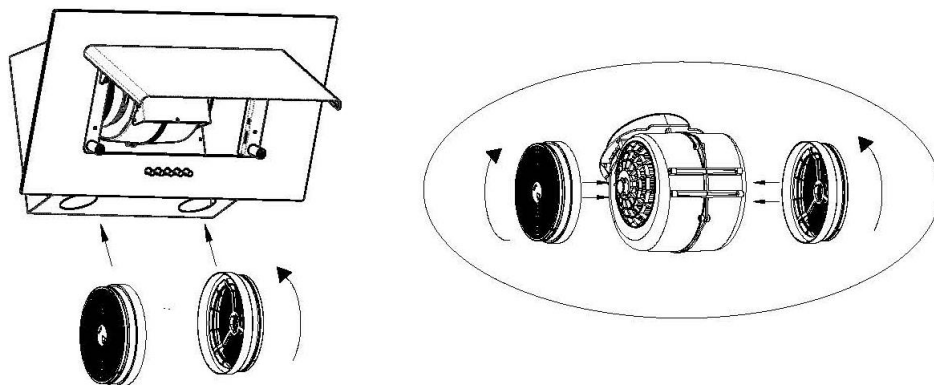
If you do not have an outlet to the outside, exhaust pipe is not required and the installation is similar to the one shown in section “Installation (Vent outside)”

1. Activated carbon filter can be used to trap odors.

In order to install the activated carbon filter, the grease filter should be detached first (The front panel opens at an Angle $< 90^\circ$). Press the lock and pull it downward.



2. Plug the activated carbon filter into the unit and turn it in clockwise direction. Repeat the same on the other side.



3. Install the grease filter. If replacement, please turn it in anti-clockwise direction.

NOTE:

- Make sure the filter is securely locked. Otherwise, it would loosen and cause dangerous.
- When activated carbon filter attached, the suction power will be lower.
- The activated carbon filter should be changed every 3 months depending on the conditions of us.

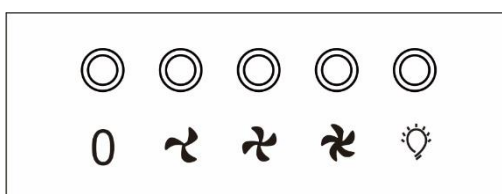
Operation

Always turn your hood on before you begin cooking to establish an air flow in the kitchen.

Let the blower run for a few minutes to clear the air after you turn off the range. This will help keep the whole kitchen cleaner and fresher.

Push button/Electronic button

Operate the hood as follows:



0 Off button

It's used for turning off the fan.

Low Speed button

It's used for Ventilation on the kitchen. It is suitable for simmering and cooking which do not make much steam.

Medium Speed button

Airflow speed is ideally for ventilation in standard cooking operation.

High Speed button

When high density of smoke or steam produced, press high-speed button for highest effective ventilation.

Light button

When lights are OFF, push once on this button to turn ON the lights. Push this button again to turn OFF the lights.

Cleaning and Maintenance

Proper maintenance of the Range Hood will assure proper performance of the unit.

MOTOR

The motor is permanently lubricated and never needs oiling. If the motor bearings make excessive or unusual noise, replace the motor with the exact service motor. The fan blade should also be replaced.

GREASE FILTERS

The grease filters should be cleaned frequently. Use a warm dishwashing detergent solution. Grease filters are dishwasher safe.

Clean all-metal filters in the dishwasher using a non-phosphate detergent. Discoloration of the filters may occur if using phosphate detergents, or as a result of local water conditions - but this will not affect filter performance. This discoloration is not covered by the warranty. To minimize or prevent discoloration, hand wash filters using a mild detergent.

FAN BLADE

The fan blade should be cleaned frequently. Use a clean cloth soaked with warm detergent solution.

ACTIVATED CARBON FILTER

The activated carbon filter should be changed every 3 months depending on the conditions of use. Replace more often if your cooking style generates extra grease, such as frying and wok cooking. These filters are not washable and cannot be restored. Refer to installation instructions included with activated carbon filter.

STAINLESS STEEL CLEANING

Do:

- Regularly wash with clean cloth or rag soaked with warm water and mild soap or liquid dish detergent.
- Always clean in the direction of original polish lines.
- Always rinse well with clear water (2 or 3 times) after cleaning. Wipe dry completely.
- You may also use a specialized household stainless steel cleaner.

Cleaning and Maintenance

Don't:

- Use any steel or stainless steel wool or any other scrapers to remove stubborn dirt.
- Use any harsh or abrasive cleansers.
- Allow dirt to accumulate.
- Let plaster dust or any other construction residues reach the hood. During construction/ renovation, cover the range hood to make sure no dust sticks to the stainless steel surface.

Avoid when choosing a detergent:

- Any cleaners that contain **bleach** will attack stainless steel.
- Any products containing: **chloride, fluoride, iodide, bromide** will deteriorate surfaces rapidly.
- Any combustible products used for cleaning such as **acetone, alcohol, ether, benzol**, etc., are highly explosive and should never be used close to a range.

PAINTED FINISH CLEANING:

Clean with warm water and mild detergent only. If discoloration occurs, use a finish polish such as automotive polish. (DO NOT use rough abrasive cleaner or porcelain cleaner.)

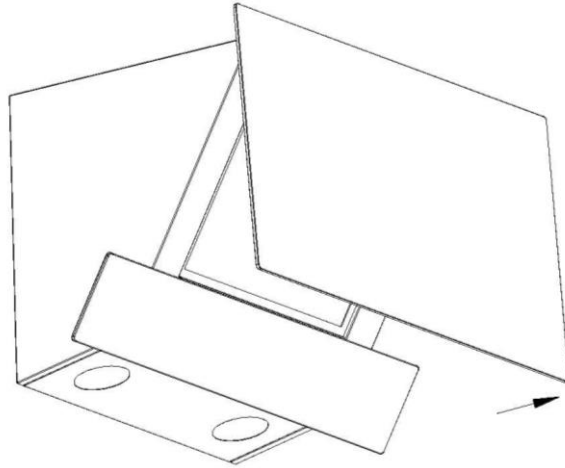
LED REPLACEMENT

■ Circular/ Rectangle LED lamp:

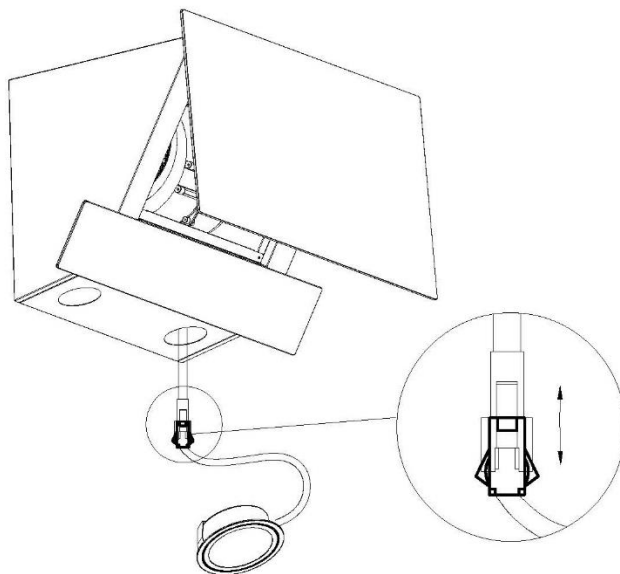


Cleaning and Maintenance

1. If need to replacement the LED lamp, the grease filter should be detached first. Press the lock and pull it downward.



2. Push the LED lamp holder out from the cabinet by hand, pull out the LED lamp and the wire together, open the power protection cover, pull out the plug and replace the LED lamp of the corresponding model.



CAUTION:

Before cleaning or repairing and replacing accessories, please make sure to shut down the power before operation, so as to avoid electric shock, damage to human body and even endanger life safety!

Troubleshooting

Problem	Possible Cause	Solution
Extractor hood does not function	No electrical supply	Check that plug is connected and main power switch is turned on
Poor airflow	Grease filters clogged with grease build-up	Clean the grease filters and refit when dry
	Charcoal filters clogged with grease build-up	Replace charcoal filters with new sets
Hood suction is not effective	Inadequate ventilation	Ensure that the kitchen is sufficiently ventilated to allow entry of fresh air
	Charcoal filters are not installed	Install charcoal filters for setting in recirculation mode
Motor is running but no airflow	Poor exhaust	Please contact CIARRA Customer Care Service
Whirring sound	Foreign object may be in contact with fan blade	Please contact CIARRA Customer Care Service
Lights are not working	Light bars are blown out	Replace the damaged light
	Light bar connection are loose	Reset the connection

If problem persists after the above checks, please contact CIARRA Customer Care Centre for assistance.

Environmental protection

Waste electrical products should not be disposed of with household waste. Please recycle where facilities exist. Check with your Local Authority or retailer for recycling advice.



This appliance is marked according to the European directive 2012/19/EU on Waste Electrical and Electronic Equipment (WEEE).

By ensuring this product is disposed of correctly, you will help prevent potential negative consequences for the environment and human health, which could otherwise be caused by inappropriate waste handling of this product.

The symbol on the product indicates that this product may not be treated as household waste. Instead it shall be handed over to the applicable collection point for the recycling of electrical and electronic equipment.

Disposal must be carried out in accordance with local environmental regulations for waste disposal.

For more detailed information about treatment, recovery and recycling of this product, please contact your local city office, your household waste disposal service or the shop where you purchased the product.

Sehr geehrte Kunden:

Herzlichen Glückwunsch zum Kauf dieses Geräts. Diese Bedienungsanleitung stellt Ihnen alle erforderlichen Anweisungen zur Installation, Verwendung und Wartung des Geräts zur Verfügung. Lesen Sie diese Bedienungsanleitung vor der Installation und Verwendung sorgfältig durch, um das Gerät ordnungsgemäß und sicher zu betreiben.

Die Dunstabzugshaube verwendet hochwertige Materialien und ist stromlinienförmig gestaltet. Sie ist mit einem Elektromotor mit großer Leistung und einem Radialventilator ausgestattet und ermöglicht eine starke Saugkraft, einen geräuscharmen Betrieb, einen Antihaft-Fettfilter und eine einfache Montage.

Bei etwaigen Fragen scannen Sie bitte den passenden QR-Code, um Zugriff auf den CIARRA Amazon-Service zu erhalten.

E-mail: info@ciarra.store

Scannen Sie bitte den entsprechenden QR-Code, um den CIARRA Amazon Service zu kontaktieren



UK



DE



FR



IT



ES



NL



SE

INHALTSVERZEICHNIS

Sicherheit -----	22-23
Spezifikationen -----	24
Komponenten -----	24
Installation -----	25-32
Vorbereitung auf die Installation-----	25
Empfohlene Tools für die Installation-----	26
Installation der Dunstabzugshaube-----	27-31
Installation von Aktivkohlefiltern-----	32
Bedienung -----	33
Reinigung und Instandhaltung -----	34-36
MOTOR	
FETTFILTER	
LÜFTERBLATT	
AKTIVKOHLEFILTER	
REINIGUNG DES EDELSTAHL	
REINIGUNG VON LACKIERTEN OBERFLÄCHEN	
AUSTAUSCH VON LAMPEN	
Fehlerbehebung -----	37
Umweltschutz -----	38

WARNUNG

Um das Risiko von Feuer, Stromschlag oder Verletzungen von Personen zu verringern, beachten Sie bitte Folgendes:



- Verwenden Sie bitte dieses Gerät nur in der vom Hersteller vorgesehenen Weise. Bei Fragen kontaktieren Sie bitte den Hersteller unter der in der Garantie angegebenen Adresse oder Telefonnummer.



- Schalten Sie bitte das Gerät vor der Wartung oder Reinigung am Service-Panel aus und verriegeln Sie die Service-Trennvorrichtung, um ein versehentliches Einschalten der Stromversorgung zu vermeiden. Wenn die Service-Trennvorrichtung nicht verriegelt werden kann, befestigen Sie eine markante Warneinrichtung, z. B. ein Etikett, sicher am Service-Panel.
- Installationsarbeiten und elektrische Verkabelung, einschließlich Brandschutzkonstruktionen müssen von einer qualifizierten Person gemäß allen geltenden Vorschriften und Normen durchgeführt werden.
- Für die ordnungsgemäße Verbrennung und Abführung von Gasen durch den Rauchabzug (Kamin) von Brennstoffverbrennungsanlagen wird ausreichend Luft benötigt, um ein Zurückziehen zu verhindern.
- Beschädigen Sie beim Schneiden oder Bohren in Wände oder Decken keine elektrischen Leitungen und andere versteckte Einrichtungen.
- Kanalventilatoren müssen immer nach außen entlüftet werden.
- Verwenden Sie bitte dieses Gerät nicht mit einem zusätzlichen Geschwindigkeitsregelgerät.
- Dieses Gerät muss geerdet werden.
- Wenn die geltenden örtlichen Vorschriften restriktivere Installations- und/oder Zertifizierungsanforderungen enthalten, haben die vorgenannten Anforderungen Vorrang vor denen dieses Dokuments, und der Installateur verpflichtet sich, diese auf eigene Kosten einzuhalten.

UM DAS RISIKO EINES UMFANGREICHEN FETTBRANDS ZU VERRINGERN:



- 1) Lassen Sie Kochplatten niemals bei hohen Einstellungen unbeaufsichtigt. Überkochen verursachen Rauchen und fettige Überläufe können sich entzünden. Öle können auch bei niedrigen oder mittleren Einstellungen langsam erhitzt werden.



- 2) Schalten Sie die Haube immer ein, wenn Sie bei starker Hitze kochen oder wenn Sie brennen.
- 3) Reinigen Sie bitte den Lüfter regelmäßig. Es darf sich kein Fett auf dem Lüfter, den Filtern oder in den Abluftkanälen ansammeln.
- 4) Verwenden Sie bitte Pfannen in passender Größe. Verwenden Sie bitte immer Kochgeschirr, das der Größe der Kochplatte passt.

Sicherheit

WARNUNG

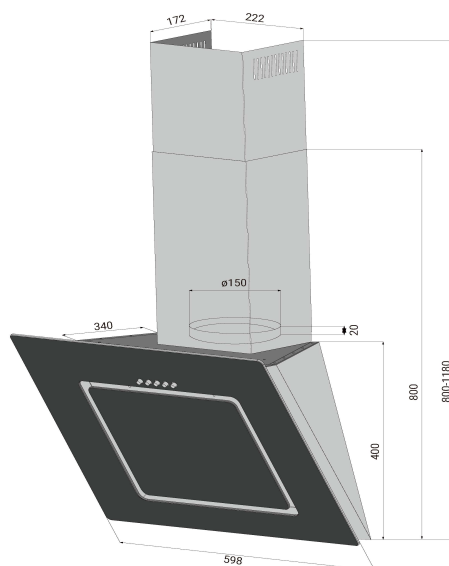
UM DAS RISIKO EINER PERSONENVERLETZUNG IM FALLE EINES UMFANGREICHEN FETTBRANDS ZU VERRINGERN, BETRACHTEN SIE BITTE FOLGENDES*:

1. ERSTICKEN SIE BITTE DIE FLAMMEN mit einem dicht schließenden Deckel, Backblech oder Metallschale und schalten Sie dann den Brenner aus. Achten Sie darauf, Verbrennungen zu vermeiden. WENN DIE FLAMMEN NICHT SOFORT erlöschen, evakuieren und rufen Sie bitte die Feuerwehr an.
2. NEHMEN SIE BITTE NIEMALS EINE FLAMMENDE PFANNE AUF - Sie könnten sich somit verbrennen.
3. VERWENDEN SIE BITTE KEIN WASSER, einschließlich nasser Geschirrtücher oder Handtücher. Dies kann eine heftige Dampfexplosion verursachen.
4. Verwenden Sie einen Feuerlöscher NUR, wenn:
 - a) Sie besitzen einen Feuerlöscher der Klasse ABC und wissen, wie man ihn bedient.
 - b) Das Feuer ist klein und befindet sich in dem Bereich, in dem es begonnen hat.
 - c) Die Feuerwehr ist bereits angerufen worden.
 - d) Sie können das Feuer mit dem Rücken zu einem Ausgang bekämpfen.

VORSICHT

- Nur für Gebrauch im Innenbereich.
- Nur zur allgemeinen Belüftung. Das Gerät darf nicht zum Abführen gefährlicher oder explosiver Materialien und Dämpfe verwendet werden.
- Um Schäden am Motorlager und lautes und/oder unausgeglichenes Lüfterblatt zu vermeiden, halten Sie Trockenbau-Spray, Baustaub usw. von der Dunstabzugshaube fern.
- Der Motor dieser Dunstabzugshaube besitzt einen thermischen Überlastungsschutz, der den Motor bei Überhitzung automatisch abschaltet. Der Motor startet neu, wenn er abkühlt. Wenn der Motor immer wieder abschaltet und neu startet, lassen Sie bitte die Dunstabzugshaube warten.
- Für eine optimale Erfassung des Kochdunsts darf der Boden der Haube NICHT WENIGER als 18 Zoll und maximal 24 Zoll über der Kochplatte sein.
- Befolgen Sie immer die Anforderungen vom Hersteller des Kochgerätes hinsichtlich der Belüftungsanforderungen.
- Um die Brandgefahr zu verringern und die Luft ordnungsgemäß abzuführen, muss die Abluft nach außen geleitet werden – Lassen Sie die Luft nicht in Innenräume oder in Dachböden, Zwischendecken oder Garagen ab.
- Es wird empfohlen, bei der Installation, Wartung oder Reinigung eine Schutzbrille und Handschuhe zu tragen.
- Lesen Sie bitte das Typenschild auf dem Produkt für weitere Informationen und Anforderungen.

Spezifikationen



Stromspannung	220 V – 240 V ~ 50Hz
Motorleistung	1 x 70 W
Leistung von Lampen	2 x 1 W
Kabellänge	1,5 m
Gerätedimension	598*340*800~1180mm (B x T x H)
Hinweis: Der Hersteller behält sich das Recht vor, technologische Verbesserungen oder Modifikationen ohne vorherige Ankündigung vorzunehmen.	

Komponenten

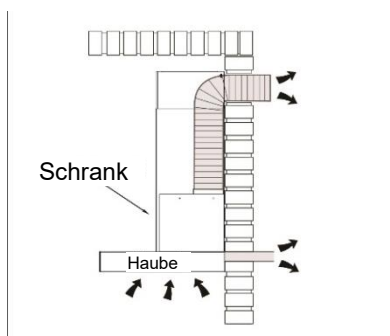
Nr.	Beschreibung	Menge	Zeichnung	Nr.	Beschreibung	Menge	Zeichnung
1	Dübel	9		8	untere Halterung des Schornsteins	1	
2	4*30mm Schraube	9		9	obere Halterung des Schornsteins	1	
3	4*8mm Schraube	6		10	Wandhalterung	1	
4	Flexibles Aluminiumrohr	1		11	Installationsanleitung	1	
5	Kabelbinder	2		12	Körper der Dunst-abzugshaube	1	
6	unterer dekorativer Schornstein	1		13	oberer dekorativer Schornstein	1	
7	Aktivkohlefilter	2					

Installation

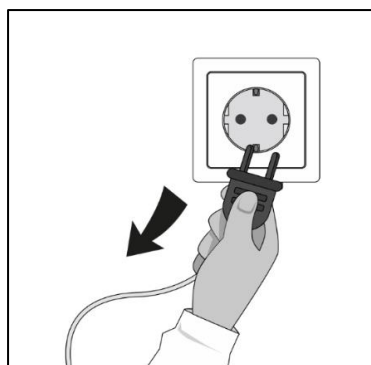
Vorbereitung auf die Installation:

- a) Wenn Sie einen Auslass nach außen haben, kann Ihre Dunstabzugshaube wie unten abgebildet über einen Absaugkanal (Emaille, Aluminium, flexibles Rohr oder nichtbrennbares Material mit einem Innendurchmesser von 150 mm) angeschlossen werden.

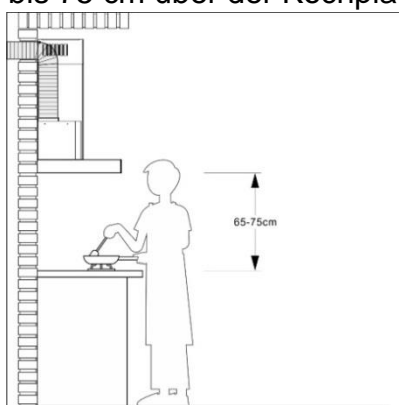
Wählen Sie bitte einen geraden, kurzen Kanalverlauf, sodass die Dunstabzugshaube am effizientesten arbeitet. Lange Kanalleitungen, Bogen und Übergänge verringern die Leistung der Haube. Verwenden Sie die so wenig wie möglich. Verwenden Sie nach Möglichkeit eine gerade Leitung von mind. zwei 2 Fuß vor jedem Bogen. Für eine optimale Leistung bei längeren Rohrleitungen sind möglicherweise größere Rohre einzusetzen.



- b) Schalten Sie bitte das Gerät vor der Installation aus und ziehen Sie den Netzstecker aus der Steckdose.



- c) Um eine optimale Wirkung zu erzielen, sollte die Dunstabzugshaube in einem Abstand von 65 bis 75 cm über der Kochplatte angebracht werden.



Empfohlene Tools für die Installation

- Maßband
- Kreuzschlitzschraubendreher Nr. 2
- Schlitzschraubendreher (zum Öffnen von Durchbruchsbohrung)
- Bohrmaschine, 1/8" Bohrer und 1½" Lochsäge (zum Markieren von Bohrungen für Leitungen und Schneiden von elektrischen Zugangsbohrungen)
- Holzscheiben (2) und Holzschrauben (4) (erforderlich für die Standardinstallation am gerahmten Schrank)
- Säge (zum Schneiden von Öffnungen bei der Installation mit Kanal)
- Blechschere (nur bei der Installation mit Kanal, zur Einstellung des Kanals)
- Zange (nur bei der Installation mit Kanal, zur Einstellung des Kanals)
- Metallfolienklebeband aus (nur bei der Installation mit Kanal)
- Schere (zum Schneiden von Metallfolienklebeband)
- Bleistift
- Abisolierzange
- Zugentlastung, 1/2" Durchmesser (zur Befestigung des Hauskabels an der Haube)



VORSICHT: Überprüfen Sie bitte vor der Installation den Inhalt in der Verpackung. Wenn Teile fehlen oder beschädigt sind, kontaktieren Sie bitte den Hersteller.

Beachten Sie alle geltenden Vorschriften und Verordnungen. Lassen Sie die Dunstabzugshaube von einem qualifizierten Techniker installieren. Es liegt in der Verantwortung des Installateurs, die auf dem Typenschild/Serienschild angegebenen Installationsabstände einzuhalten. Der Hersteller lehnt jede Verantwortung für unsachgemäße Installation ab und übernimmt keine Verantwortung für das Gerät bei Schäden durch fehlerhafte Installation.

Installation

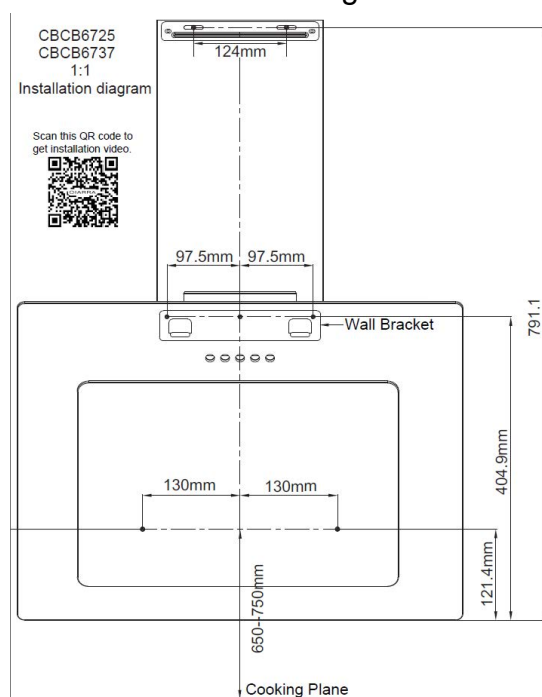


Achtung: Beachten Sie bitte die Warnung in der Gebrauchsanleitung bezüglich der Bedienung des Geräts, wenn Luft aus dem Raum abgelassen wird.

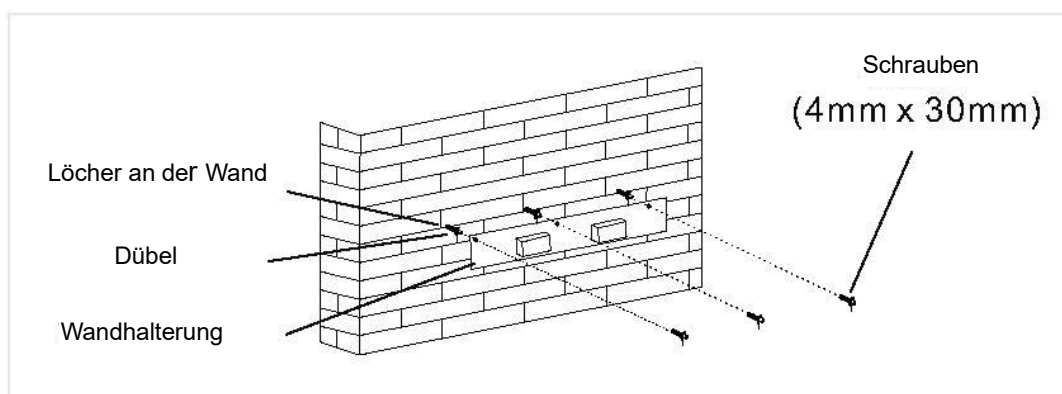
Wenn die Dunstabzugshaube und weitere Geräte, die nicht mit Strom versorgt werden, gleichzeitig in Betrieb sind, darf der Unterdruck im Raum 4 Pa (4×10^{-5} Bar) nicht überschreiten.

Installation der Dunstabzugshaube (ENTLÜFTUNG NACH AUSSEN):

- 1) Entfernen Sie bitte, falls vorhanden, alle Schutzfolien von der Haube und/oder von den Teilen.
- 2) Hierunter finden Sie die Lochzeichnung für die Installation:

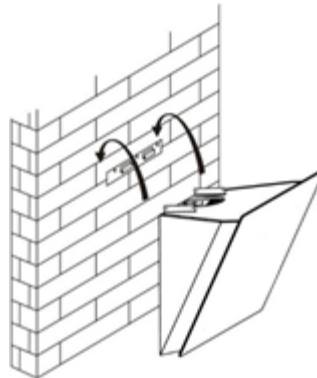


- 3) Bohren Sie bitte gemäß der 1: 1-Lochzeichnung 3*Ø8 mm Löcher, um die Halterung aufzunehmen. Schrauben Sie die Halterung mit den mitgelieferten Schrauben und Wandstopfen an die Wand.

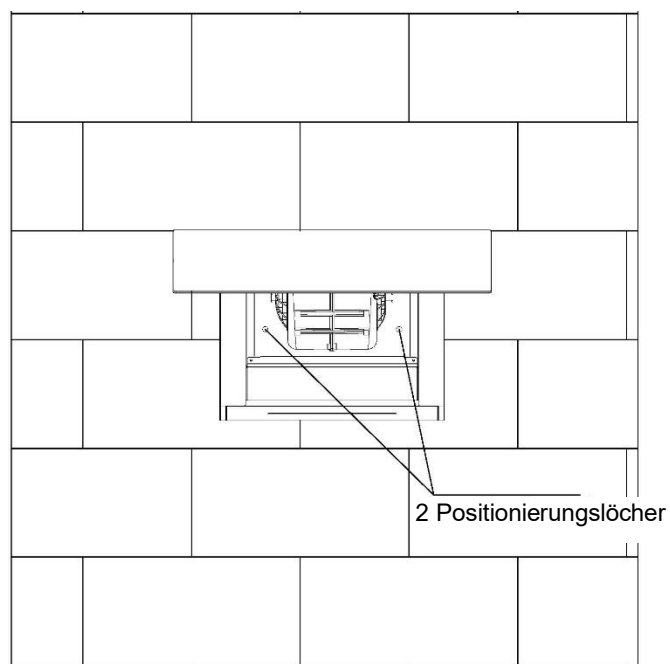
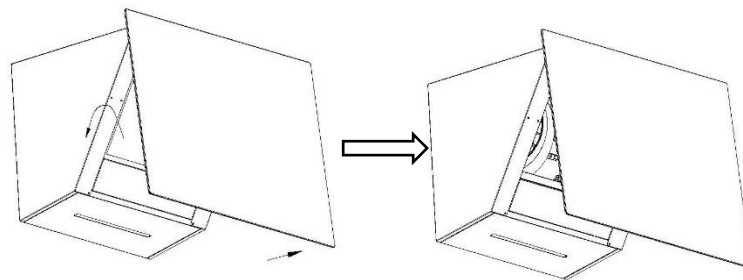


Installation

- 4) Hängen Sie bitte die Dunstabzugshaube an die Wandhalterung.

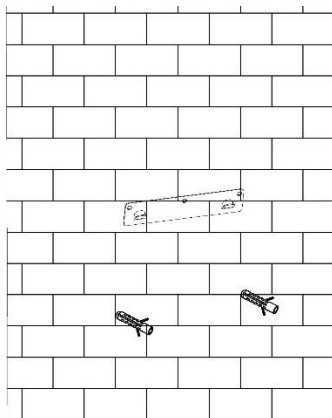


- 5) Öffnen Sie bitte die Glasscheibe und nehmen Sie den Fettfilter heraus, suchen Sie nach den beiden Positionierungslöchern im Gehäuse in der Abbildung, markieren Sie sie bitte mit einem Stift und nehmen Sie die Dunstabzugshaube wieder ab.

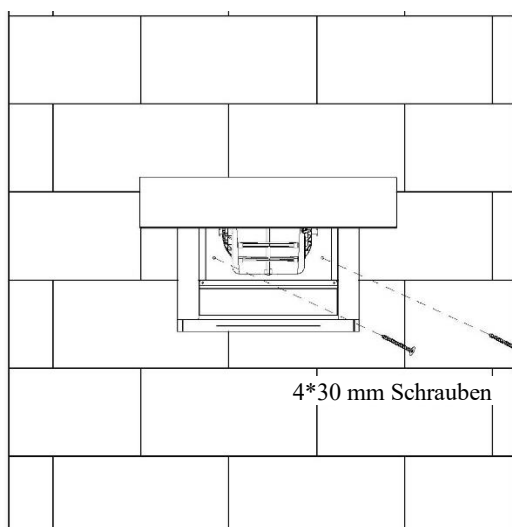


Installation

- 6) Bohren Sie bitte mit einer elektrischen Bohrmaschine zwei 8 mm Löcher an den markierten Stellen an der Wand und stecken Sie dann die Wandstecker ein.

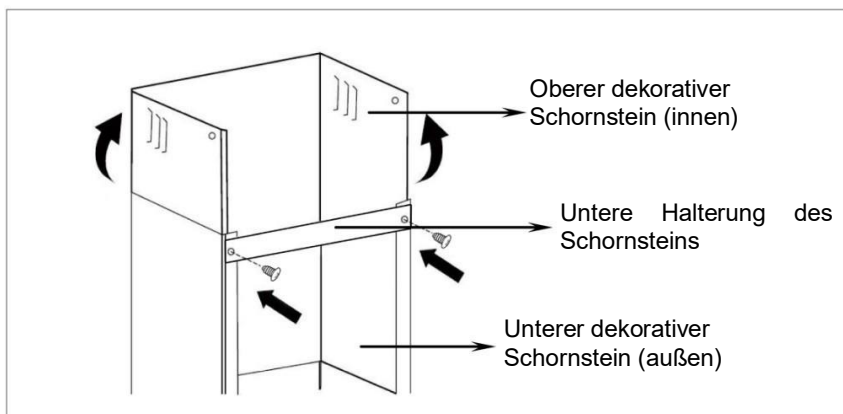


- 7) Hängen Sie bitte die Dunstabzugshaube wieder an die Wandhalterung. Nehmen Sie danach zwei 4*30 mm Schrauben, um die entsprechenden Positionen in der Abbildung zu verriegeln.

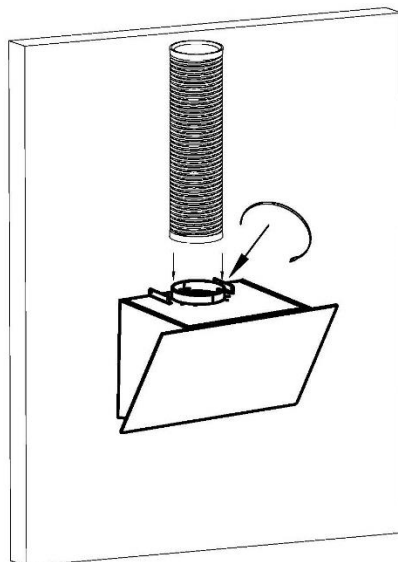


- 8) Die untere Halterung des Schornsteins dient dazu, den oberen dekorativen Schornstein und den unteren dekorativen Schornstein zu befestigen. Verwenden Sie 2 Stk. 4x8 mm Schrauben, um den unteren und oberen Schornstein miteinander zu verbinden. Bevor Sie die Halterung am Schornstein befestigen, bestimmen Sie in einem späteren Schritt die Position der Befestigungslöcher zur Befestigung der unteren Schornsteinhalterung. Ziehen Sie bitte die Schrauben nicht zu fest an und stellen Sie sicher, dass der obere dekorative Schornstein nach dem Zusammenbau teleskopisch eingestellt werden kann.

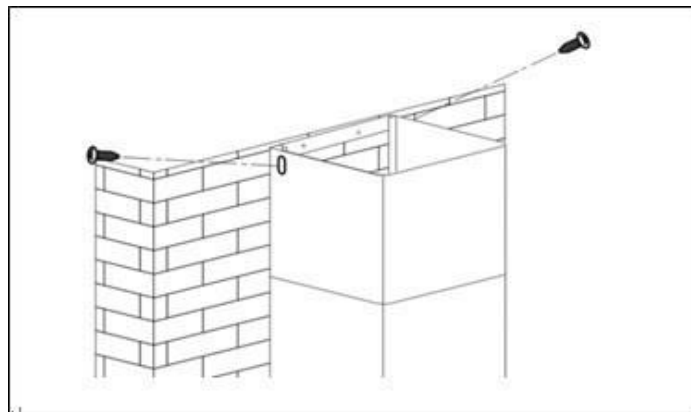
Installation



- 9) Setzen Sie das flexible Aluminiumrohr auf den Luftauslass der Dunstabzugshaube und befestigen Sie das Rohr mit Kabelbindern.

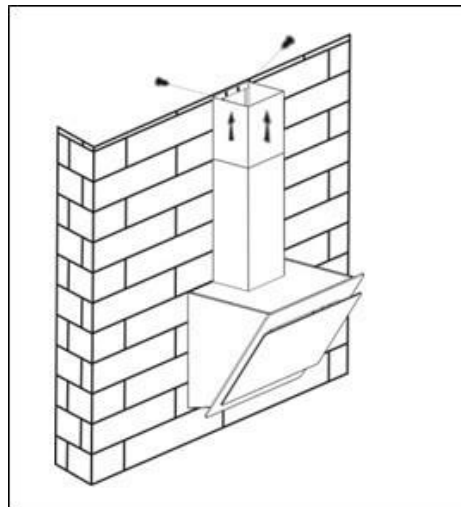


- 10) Setzen Sie den Schornstein auf die Dunstabzugshaube. Befestigen Sie die untere Halterung des Schornsteins mit zwei Schrauben (4 mm x 30 mm) an der Wand.

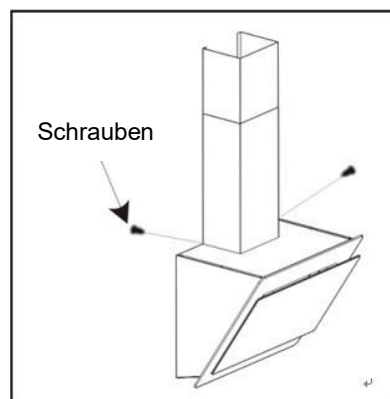


Installation

- 11) Ziehen Sie bitte dann den oberen Schornstein nach oben bis zur Zielhöhe. Stellen Sie die erwünschte Höhe ein.
- 12) Befestigen Sie bitte den oberen Schornstein mit 2 Schrauben (4x8 mm) an der oberen Halterung des Schornsteins. Befestigen Sie dann die obere Kaminhalterung an der Wand. Bevor Sie die Halterung an der Wand befestigen, können Sie die Befestigungslöcher der oberen Halterung des Schornsteins für die Installation festlegen.



- 13) Befestigen Sie den unteren Schornstein mit 2 Stk. ST4x8 mm-Schrauben an der Dunstabzugshaube.



HINWEISE:

- Schließen Sie bitte die Leitungen an die Haube an und nehmen Sie dafür Metallfolienklebeband, um die Verbindungen sicher und luftdicht herzustellen.
- Stellen Sie bitte sicher, dass alle Dämpfer (oder die rund um die Kanalplatte) in die Rohrleitung eintritt und dass sich die Glasblende frei öffnet und schließt.

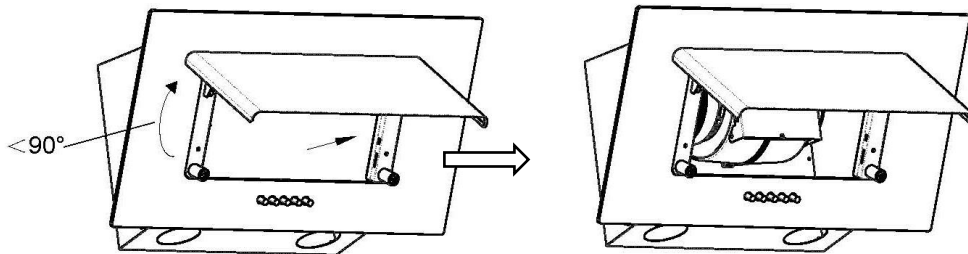
Installation

Installation von Aktivkohlefiltern (ENTLÜFTUNG NACH INNEN):

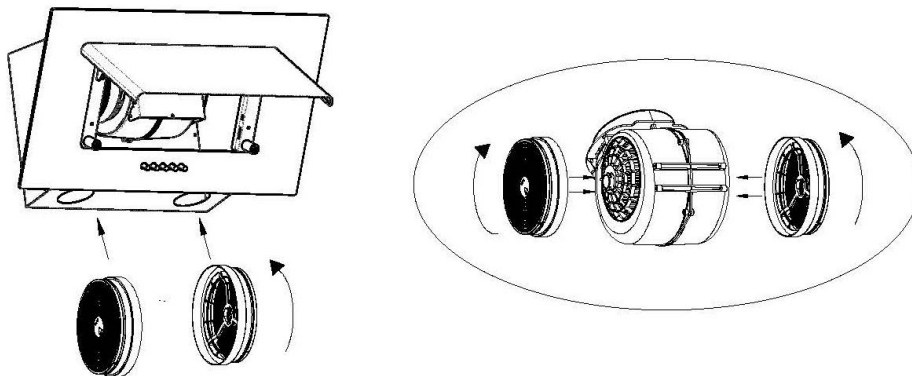
Wenn Sie keinen Auslass nach außen besitzen, ist kein Auslassrohr erforderlich und die Installation ist ähnlich wie die im Abschnitt „Installation (Entlüftung nach außen)“.

1. Das Aktivkohlefilter kann zum Einfangen von Gerüchen verwendet werden.

Damit der Aktivkohlefilter eingebaut werden kann, muss zuerst der Fettfilter abgenommen werden (Die Frontplatte öffnet sich in einem Winkel $<90^\circ$). Drücken Sie bitte das Schloss und ziehen Sie den Fettfilter nach unten.



2. Stecken Sie bitte einen Aktivkohlefilter ins Gerät ein und drehen Sie ihn im Uhrzeigersinn. Wiederholen Sie das Gleiche auf der anderen Seite.



3. Installieren Sie den Fettfilter. Zum Austausch drehen Sie es bitte gegen den Uhrzeigersinn.

HINWEISE:

- Stellen Sie sicher, dass die Filter sicher verriegelt sind. Andernfalls könnten sie sich lösen und Gefahr verursachen.
- Wenn Aktivkohlefilter angebracht sind, ist die Saugleistung geringer.
- Die Aktivkohlefilter sollten je nach Bedingungen alle 3 Monate ausgetauscht werden.

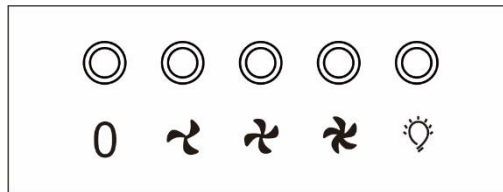
Bedienung

Schalten Sie bitte Ihre Dunstabzugshaube immer ein, bevor Sie mit dem Kochen beginnen, um einen Luftstrom in der Küche herzustellen.

Lassen Sie bitte den Lüfter nach dem Ausschalten des Herdes noch einige Minuten laufen, um die Luft zu reinigen. Dadurch bleibt die gesamte Küche sauberer und frischer.

Druckknopf / Elektronischer Knopf

Bedienen Sie bitte die Dunstabzugshaube wie folgt:



0

Aus-Knopf

Dies dient zum Ausschalten des Lüfters.



Knopf für niedrige Geschwindigkeit

Es dient zur Belüftung der Küche und eignet sich zum Schmoren und Kochen mit wenig Dampf.



Knopf für mittlere Geschwindigkeit

Die Luftstromgeschwindigkeit ist ideal für die Belüftung im Standardkochbetrieb.



Knopf für hohe Geschwindigkeit

Wenn eine hohe Rauch- oder Dampfdichte entsteht, drücken Sie bitte den Knopf für hohe Geschwindigkeit, um eine Belüftung mit höchster Effizienz zu erzielen.



Lichtknopf

Wenn die Lichter ausgeschaltet sind, drücken Sie einmal auf diesen Knopf, um die Lichter einzuschalten. Drücken Sie diesen Knopf erneut, um die Lichter auszuschalten.

Reinigung und Instandhaltung

Durch ordnungsgemäße Wartung kann die Leistung der Dunstabzugshaube sichergestellt werden.

MOTOR

Der Motor wird permanent geschmiert und muss nie geölt werden. Wenn die Motorlager übermäßige oder ungewöhnliche Geräusche verursachen, ersetzen Sie den Motor durch den gleichen Servicemotor. Dabei sollte das Lüfterblatt ebenfalls ausgetauscht werden.

FETTFILTER

Die Fettfilter sollten regelmäßig gereinigt werden. Nehmen Sie dafür eine warme Lösung mit Geschirrspülmittel. Fettfilter sind spülmaschinenfest.

Reinigen Sie bitte Filter aus komplettem Metall in der Spülmaschine nur mit einem nicht-phosphathaltigen Reinigungsmittel. Bei Verwendung von phosphathaltigen Reinigungsmitteln oder aufgrund lokaler Wasserqualität kann es zu Verfärbungen der Filter kommen. Dies beeinträchtigt jedoch nicht die Filterleistung und wird auch von der Garantie ausgeschlossen. Um Verfärbungen zu minimieren oder zu vermeiden, waschen Sie bitte die Filter mit der Hand mit einem milden Reinigungsmittel.

LÜFTERBLATT

Das Lüfterblatt sollte regelmäßig gereinigt werden. Verwenden Sie dazu bitte ein sauberes Tuch, das mit warmer Reinigungslösung getränkt ist.

AKTIVKOHLEFILTER

Der Aktivkohlefilter sollte je nach Verwendungsbedingungen alle drei Monate gewechselt werden. Ersetzen Sie ihn häufiger, wenn Ihr Kochverhalten u. a. Braten und Kochen mit Wok zusätzliches Fett erzeugt. Dieser Filter ist nicht waschbar und kann nicht wiederhergestellt werden. Lesen Sie bitte die dem Aktivkohlefilter beigegepackten Installationsanweisungen.

REINIGUNG DES EDELSTAHLS

Do's:

- Reinigen Sie bitte den Edelstahl regelmäßig mit einem sauberen Tuch oder Lappen, der mit warmem Wasser und milder Seife oder flüssigem Geschirrspülmittel getränkt ist.
- Reinigen Sie bitte den Edelstahl immer in Richtung der ursprünglichen Polierlinien.
- Spielen Sie bitte den Edelstahl nach der Reinigung immer mit klarem Wasser gut ab (zwei oder drei Mal). Trocknen Sie bitte den Edelstahl danach vollständig trocken.
- Sie können auch einen speziellen Haushaltsreiniger für Edelstahl verwenden.

Reinigung und Instandhaltung

Don'ts:

- Entfernen Sie hartnäckigen Schmutz mit Stahl- oder Edelstahlwolle oder anderen Schabern.
- Verwenden Sie scharfe oder scheuernde Reinigungsmittel.
- Lassen Sie Schmutz ansammeln.
- Lassen Sie Gipsstaub oder andere Baurückstände in die Haube gelangen. Decken Sie während des Baus / der Renovierung die Dunstabzugshaube ab, um sicherzustellen, dass kein Staub an der Edelstahloberfläche haftet.

Vermeiden Sie bei der Auswahl eines Waschmittels bitte:

- Alle Reinigungsmittel, die **Bleichmittel** enthalten. Sie können Edelstahl angreifen.
- Alle Produkte, die **Chloride, Fluoride, Iodide und Bromide** enthalten. Sie verschlechtern die Oberflächen schnell.
- Alle zur Reinigung verwendeten brennbaren Produkte wie **Aceton, Alkohol, Ether, Benzol** usw. Sie sind hochexplosiv und sollten niemals in der Nähe einer Dunstabzugshaube verwendet werden.

REINIGUNG VON LACKIERTEN OBERFLÄCHEN

Reinigen Sie lackierte Oberfläche nur mit warmem Wasser und einem milden Reinigungsmittel. Wenn Verfärbungen auftreten, verwenden Sie eine Politur wie Autopolitur. (Verwenden Sie bitte KEINEN groben Scheuermittel oder Porzellanreiniger.)

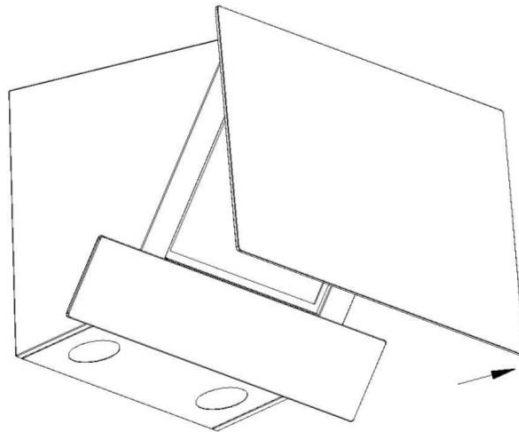
AUSTAUSCH von LED

- **Runde / Rechteckige LED-Lampe:**

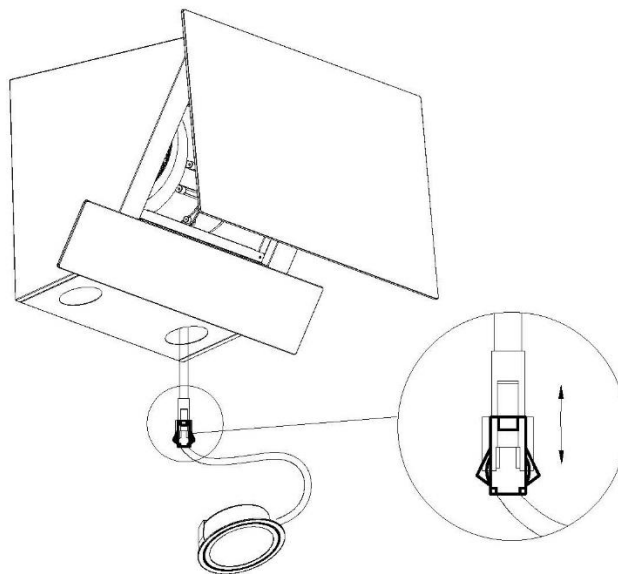


Reinigung und Instandhaltung

1. Wenn die LED-Lampe auszutauschen ist, muss zuerst das Fettfilter abgenommen werden. Drücken Sie die Verriegelung und ziehen Sie es nach unten.



2. Ziehen Sie den LED-Lampenhalter aus dem Schrank mit der Hand, ziehen Sie die LED-Lampe und das Kabel gemeinsam heraus, öffnen Sie die Stromschutzabdeckung, ziehen Sie den Stecker heraus und ersetzen Sie die LED-Lampe mit dem entsprechenden Modell.



VORSICHT:

Stellen Sie bitte vor der Reinigung, oder vor der Reparatur, oder vor dem Ersetzen von Zubehör sicher, dass die Stromversorgung abgeschaltet ist, um Stromschläge, Schäden am menschlichen Körper und sogar Lebensgefahr zu vermeiden!

Fehlerbehebung

Störung	Mögliche Ursache	Lösung
Dunstabzugshaube funktioniert nicht	Keine Stromversorgung	Überprüfen Sie, ob der Stecker angeschlossen und der Hauptschalter eingeschaltet ist.
Schlechter Luftstrom	Fettfilter durch Fettansammlung verstopft	Reinigen Sie die Fettfilter und setzen Sie sie nach dem Trocknen wieder ein.
	Aktivkohlefilter durch Fettansammlung verstopft	Ersetzen Sie Aktivkohlefilter durch neue Sätze.
Das Absaugen der Haube wirkt nicht	Unzureichende Belüftung	Stellen Sie bitte sicher, dass die Küche ausreichend belüftet wird, damit frische Luft eindringen kann.
	Aktivkohlefilter sind nicht installiert	Für den Umluftmodus installieren Sie bitte Aktivkohlefilter.
Motor läuft, aber kein Luftstrom	Schlechte Abführung	Kontaktieren Sie bitte den CIARRA-Kundendienst.
Surren	Fremdkörper könnten mit dem Lüfterblatt in Kontakt gekommen sein.	Kontaktieren Sie bitte den CIARRA-Kundendienst.
Lichten funktionieren nicht.	Lichtleisten leuchten nicht.	Tauschen Sie bitte die kaputten Lichten aus.
	Die Verbindung der Lichtleisten sind lose.	Schließen Sie erneut an.

Wenn die Störung nach den oben genannten Maßnahmen weiterhin besteht, kontaktieren Sie bitte das CIARRA-Kundendienstzentrum für Unterstützung.

Umweltschutz

Alte elektrische Produkte dürfen nicht mit dem Hausmüll entsorgt werden. Bitte recyceln Sie die Produkte, wo entsprechende Einrichtungen vorhanden sind. Wenden Sie sich bitte an die örtliche Behörde oder Ihren Händler, um Informationen zum Recycling zu erhalten.



Dieses Gerät ist gemäß der europäischen Richtlinie 2012/19/EU über Elektro- und Elektronik-Altgeräte (WEEE) gekennzeichnet.

Indem Sie sicherstellen, dass dieses Produkt ordnungsgemäß entsorgt wird, leisten Sie einen Beitrag dazu, mögliche negative Folgen für die Umwelt und die menschliche Gesundheit zu vermeiden, die andernfalls durch einen unangemessenen Umgang mit diesem Produkt verursacht werden könnten.

Das Symbol auf dem Produkt weist darauf hin, dass dieses Produkt nicht als Hausmüll behandelt werden darf. Stattdessen ist es an die zuständige Sammelstelle für das Recycling von Elektro- und Elektronik-Geräten zu übergeben.

Die Entsorgung muss gemäß den örtlichen Umweltvorschriften für die Abfallentsorgung vorgenommen werden.

Für weitere Informationen zur Behandlung, Rückgewinnung und Recycling dieses Produkts kontaktieren Sie bitte das örtliche Bürgeramt, Ihren Hausmüllentsorgungsdienst oder das Geschäft, in dem Sie das Produkt gekauft haben.

Cher client:

Félicitations pour l'achat du présent dispositif. Le présent manuel d'emploi est conçu pour vous fournir toutes les instructions nécessaires relatives au montage, à l'utilisation et à la maintenance de l'appareil. Afin d'utiliser correctement l'appareil et en toute sécurité, veuillez lire attentivement le présent manuel avant le montage et l'utilisation.

La hotte aspirante adopte des matériaux à haute qualité, et est fabriquée avec une conception épurée. Elle est équipée d'un moteur électrique à grande puissance et d'un ventilateur centrifuge, fournit également une puissance d'aspiration forte, une opération à faible bruit, un filtre à graisse antiadhésive et un montage facile.

Veuillez scanner le code QR pour obtenir l'accès à contacter le Service de CIARRA Amazon lorsque vous avez des questions.

E-mail: info@ciarra.store

Veuillez le scanner pour contacter le Service de CIARRA Amazon



UK



DE



FR



IT



ES



NL



SE

FR

Sommaire

Sé curité	41-42
Spé cifications	43
Composants	43
Montage	44-51
Préparations de montage	44
Outils recommandés pour montage	45
Monter la hotte	46-50
Montage du filtre à charbon actif	51
Opération	52
Nettoyage et maintenance	53-55
MOTEUR	
FILTRÉS A GRAISSE	
PALE DE VENTILATEUR	
NETTOYAGE DE L'ACIER INOXYDABLE	
FILTRE A CHARBON ACTIF	
NETTOYAGE APRES FINITION DE PEINTURE:	
REPLACEMENT DES AMPOULES	
Dépannage	56
Protection environnementale	57

AVERTISSEMENT



POUR REDUIRE LE RISQUE D'INCENDIE, DE CHOC ELECTRIQUE OU DE BLESSURE, VEUILLEZ OBSERVER LES POINTS SUIVANTS:

- N'utiliser cet appareil que de la manière prévue par le fabricant. Si vous avez des questions, veuillez contacter le fabricant à l'adresse ou au numéro de téléphone indiqués dans la garantie.
- Avant l'entretien ou le nettoyage de l'appareil, couper l'alimentation électrique sur le panneau de service et verrouiller le dispositif de déconnexion de service afin d'éviter toute mise sous tension accidentelle. En cas de verrouillage impossible du dispositif de déconnexion, fixer solidement un dispositif d'avertissement bien visible, tel qu'une étiquette, sur le panneau de service.
- Les travaux de montage et le câblage électrique doivent être effectués par une ou plusieurs personnes qualifiées conformément à tous les codes et normes applicables, y compris les constructions à résistance au feu.
- Une quantité suffisante d'air est nécessaire pour la combustion correcte et l'échappement des gaz par le conduit (cheminée) de l'équipement de combustion du combustible afin d'éviter le refoulement.
- Lors de coupage ou de perçage du mur ou du plafond, ne pas endommager le câblage électrique et les autres utilités publiques cachées.
- Les ventilateurs à gaine doivent toujours être ventilés vers l'extérieur.
- Ne pas utiliser le présent appareil avec un dispositif de contrôle de vitesse à semi-conducteur supplémentaire.
- Le présent appareil doit être mis à la terre.
- Lorsque les réglementations locales applicables comportent des exigences de montage et/ou de certification plus restrictives, les exigences susmentionnées prévalent sur celles du présent document, tandis que l'opérateur de montage accepte de les rendre conformes à ses propres frais.

POUR REDUIRE LE RISQUE D'UN INCENDIE DE GRAISSE DANS UNE LARGE GAMME:



- 1) Ne jamais laisser les appareils de surface sans surveillance à des températures élevées. Les débordements provoqueront la fumée et les déversements de graisse qui peuvent s'enflammer. Chauffer lentement les huiles à feu doux ou à feu moyen.
- 2) Allumer toujours la hotte lorsque vous cuisinez à feu vif ou lorsque vous traitez des aliments.
- 3) Nettoyer fréquemment le ventilateur. Ne pas laisser la graisse s'accumuler sur le ventilateur, sur les filtres ou dans les conduits d'évacuation.
- 4) Utiliser des casseroles à taille appropriée. Utiliser toujours des ustensiles de cuisine adaptés à la taille de l'élément de surface.

Sécurité

AVERTISSEMENT

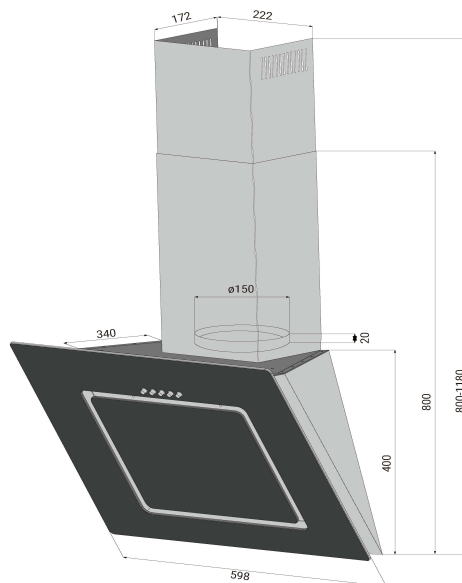
POUR REDUIRE LE RISQUE DE BLESSURE DES PERSONNES EN CAS D'INCENDIE DE GRAISSE SUR LE HAUT DE LA CUISINIÈRE, RESPECTER LES POINTS SUIVANTS *:

1. ETEINDRE LES FLAMMES avec un couvercle bien ajusté, une plaque à biscuits ou un plateau métallique, et puis éteindre le brûleur. VEILLEZ EVITER LES BRULURES. SI LES FLAMMES NE S'ETEINDENT PAS IMMÉDIATEMENT, REALISER L'ECHAPPEMENT ET APPELER LE SERVICE D'INCENDIE.
2. Ne jamais prendre un plateau au feu - vous risquez d'être brûlé.
3. NE PAS UTILISER L'EAU, y compris des torchons ou des serviettes mouillés - Cela pourrait provoquer une violente explosion de vapeur.
4. Utiliser un extincteur UNIQUEMENT si:
 - a) Vous possédez un extincteur de classe ABC et vous savez comment l'utiliser.
 - b) Le feu est petit et contenu dans la zone où il a commencé.
 - c) Le service d'incendie a été appelé.
 - d) Vous pouvez combattre l'incendie en tournant le dos à une sortie.

ATTENTION

- Pour un usage intérieur uniquement.
- Pour un usage de ventilation générale uniquement. Ne pas utiliser pour échapper des matières et des vapeurs dangereuses ou explosives.
- Pour éviter d'endommager les roulements du moteur et d'avoir des pales de ventilateur bruyantes et/ou déséquilibrées, ne pas utiliser les projections de cloisons sèches, la poussière du bâtiment, etc.
- Le moteur de votre hotte est soumis à une surcharge thermique qui l'arrêtera automatiquement en cas de surchauffage. Le moteur redémarrera lorsqu'il se refroidira. Veillez réaliser l'entretien de la hotte lorsque le moteur continue à s'arrêter et à redémarrer.
- Afin de capter au mieux les fumées de cuisson, le bas de la hotte ne doit pas être inférieur à 18 pouces, tandis que la hauteur au-dessus de la surface de cuisson ne doit pas dépasser 24 pouces.
- Veuillez respecter toujours les exigences du fabricant de l'équipement de cuisson en matière de la ventilation.
- Pour réduire le risque d'incendie et évacuer correctement l'air, veillez à le faire passer à l'extérieur - Ne pas échapper l'air dans les espaces situés à l'intérieur des murs ou du plafond, ni dans les greniers, les vides sanitaires ou le garage.
- Lors de montage, d'entretien ou de nettoyage de l'appareil, il est recommandé de porter des lunettes et des gants de sécurité.
- Veuillez lire l'étiquette de spécification sur le produit pour plus d'informations et les exigences.

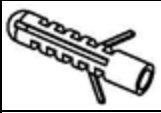
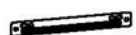





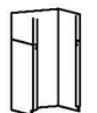

Spécifications



Tension	220V-240V à 50Hz
Puissance du moteur	1 x 70W
Puissance des lampes	2 x 1W
Longueur du câble	1,5M
Dimension des appareils	598*340*800~1180mm (L x P x H)
Remarque: Le fabricant se réserve le droit d'apporter toute amélioration ou modification technologique sans préavis.	

FR

Composants

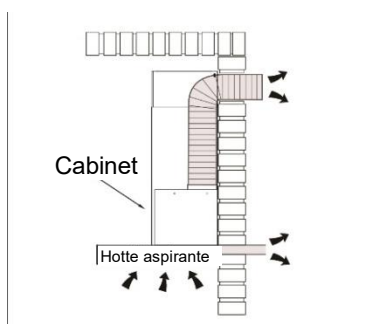
No.	Description	QTE	Schéma	No.	Description	QTE	Schéma
1	Prise murale	9		8	Support de cheminée inférieur	1	
2	Vis 4*30mm	9		9	Support de cheminée supérieur	1	
3	Vis 4*8mm	6		10	Support mural	1	
4	Flexible en aluminium	1		11	Manuel de montage	1	
5	Serre-câbles	2		12	Corps du capot	1	
6	Cheminée décorative inférieure	1		13	Cheminée décorative supérieure	1	
7	Filtre à charbon actif	2					

Montage

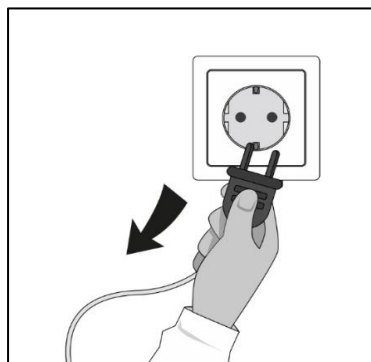
Préparations de montage:

- a) Si vous disposez d'une sortie vers l'extérieur, votre hotte aspirante peut être raccordée selon la photo suivante au moyen d'un conduit d'extraction (émail, aluminium, tuyau flexible ou matériau inflammable d'un diamètre intérieur de 150 mm).

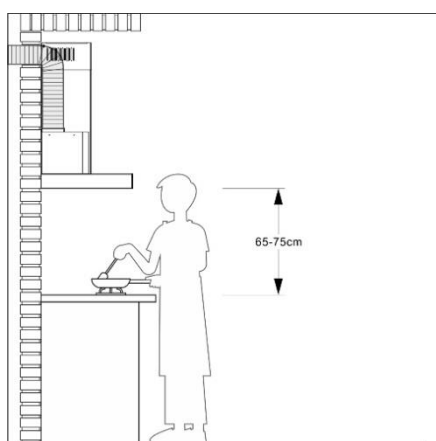
Choisir un conduit droit et court pour permettre à la hotte de fonctionner le plus efficacement possible. Les longs conduits, les coudes et les transitions réduiront les performances de la hotte. En utiliser le moins possible. Utiliser des conduits droits au moins de deux pieds avant tout virage autant que possible. Des conduits plus grands peuvent être nécessaires pour obtenir les meilleures performances avec des conduits plus longs.



- b) Avant le montage, arrêter l'appareil et le débrancher de la prise de courant.



- c) La hotte doit être placée à une distance de 65 à 75cm au-dessus du plan de cuisson pour obtenir un effet optimal.



Outils recommandés pour montage

- Mètre ruban
- Tournevis cruciforme No.2
- Tournevis à lame plate (pour ouvrir les trous d'arrêt)
- Perceuse, trépan de 1/8 "et scie à trou de 1½" (pour marquer les trous pour les conduits et couper le trou d'accès électrique)
- Cales à bois (2) et vis en bois (4) (requisés pour montage standard sur une armoire d'ossature)
- Scie (pour découper des trous dédiés à l'application sous gaine)
- Cisaille à tôle (montage unique en gaine, pour réglage de la gaine)
- Pince (montage unique en gaine, pour réglage de la gaine)
- Ruban adhésif en feuille de métal (pour les applications sous gaine)
- Ciseaux (pour couper le ruban adhésif en feuille métallique)
- Crayon
- Pince à dénuder
- Orifice de débordement, à diamètre de 1/2" (utilisé pour fixer les câbles de câblage du bâtiment à la hotte)



ATTENTION: Avant le montage, contrôler le contenu dans la boîte. Si des éléments sont manquants ou endommagés, contacter le fabricant.

Respecter tous les codes et ordonnances en vigueur. Monter la hotte de cuisine par un technicien qualifié. Il incombe à l'opérateur de montage de respecter les jeux de montage indiqués sur la plaque signalétique du modèle/en série. Le fabricant dégage de toute responsabilité en cas de montage incorrect et n'accepte aucune responsabilité pour la garantie de l'appareil en cas de dommages causés par montage incorrect.

Montage

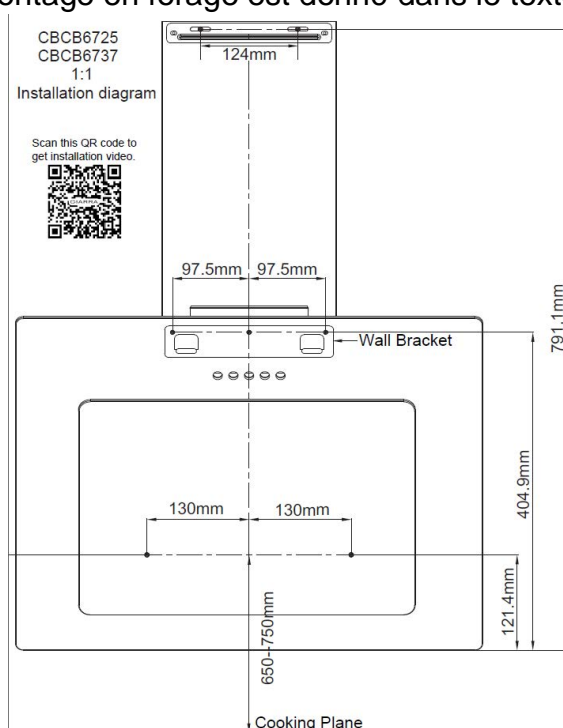


Attention: Respecter l'avertissement figurant sur la fiche d'instructions concernant le fonctionnement de l'appareil lorsque de l'air est échappé de la pièce.

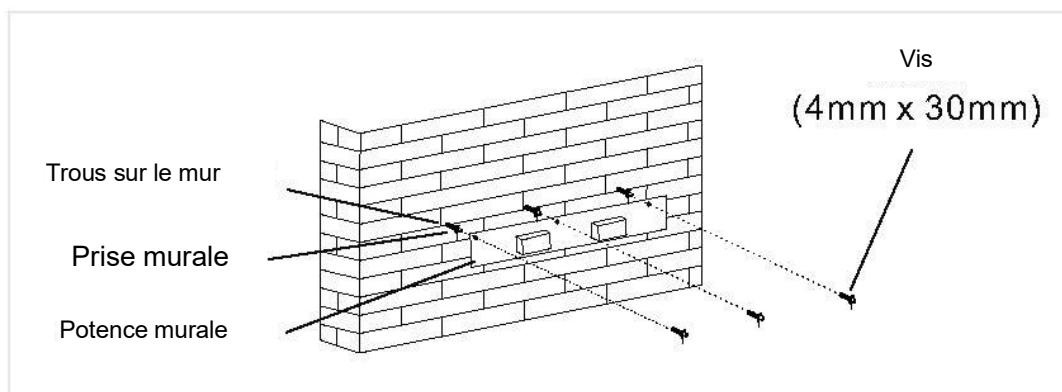
Lorsque la hotte de cuisine et l'appareil alimenté par une énergie autre que l'électricité se fonctionnent simultanément, la pression négative dans la pièce ne doit pas dépasser 4 Pa (4×10^{-5} Bars).

Monter la hotte (échappement vers l'extérieur):

- 1) S'il y a lieu, retirer tous les films protecteurs de la hotte et/ou des pièces.
- 2) Le schéma de montage en forage est donné dans le texte ci-après:

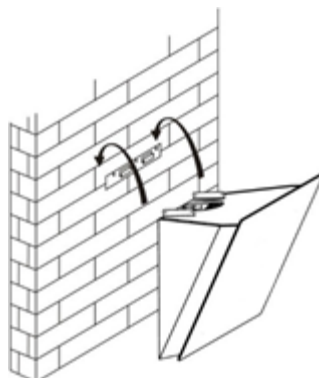


- 3) Selon le plan de perçage 1:1, percer des trous de $3 \times \text{Ø}8\text{mm}$ pour contenir la potence. Visser et serrer la potence sur le mur avec les vis et les chevilles fournies.

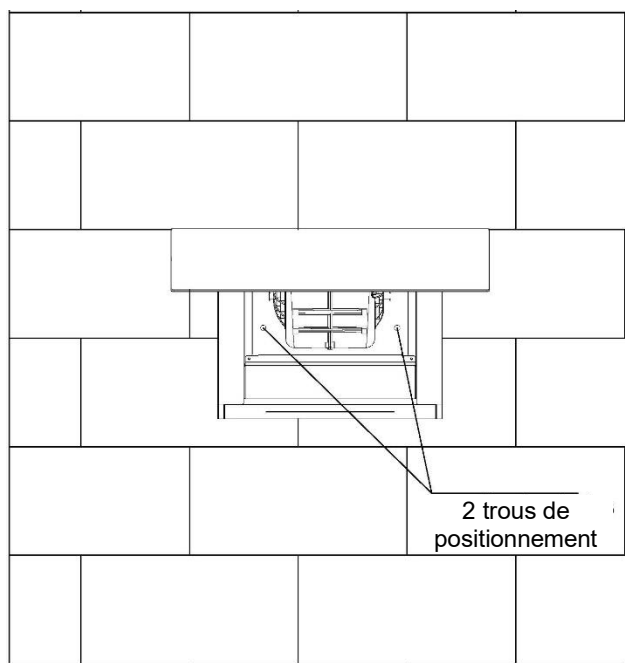
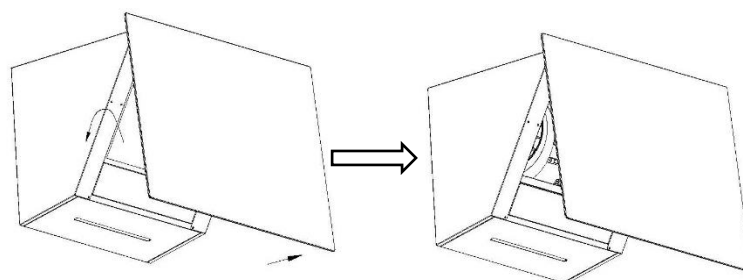


Montage

- 4) Accrocher la hotte au support mural.

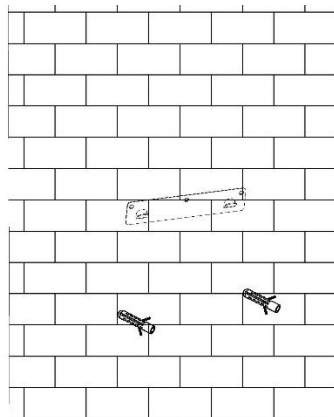


- 5) Ouvrir le panneau de verre, retirer le filtre à graisse, trouver les deux trous de positionnement à l'intérieur du boîtier dans la figure, les marquer respectivement avec un stylo, puis démonter la hotte de la cuisinière.

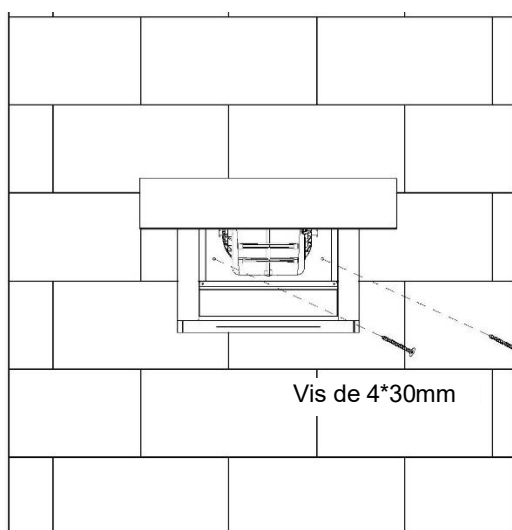


Montage

- 6) Percer deux trous de 8 mm à l'endroit indiqué sur le mur à l'aide d'une perceuse électrique, et puis mettre la prise murale en place.



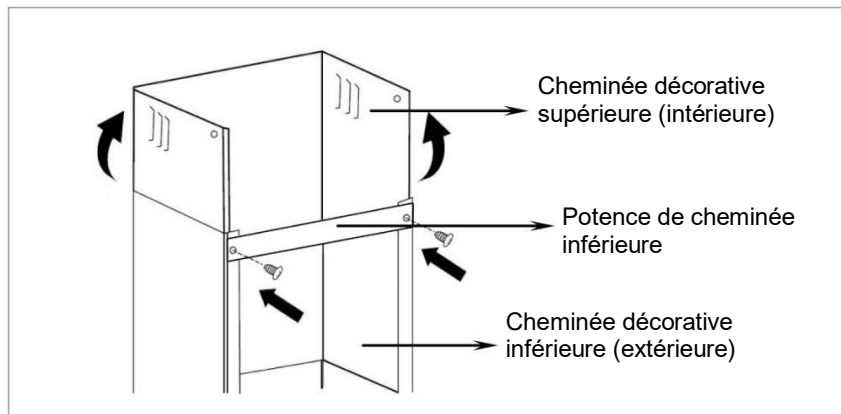
- 7) Accrocher à nouveau la hotte aspirante sur la potence murale. Ensuite, utiliser deux vis de 4*30 mm pour bloquer la position correspondante dans la figure.



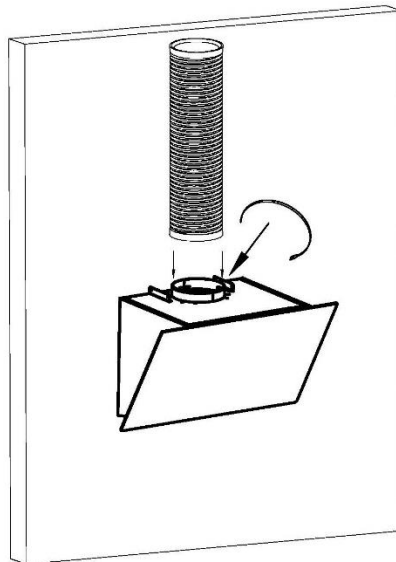
- 8) La potence de cheminée inférieure est utilisée pour fixer la cheminée décorative supérieure et la cheminée décorative inférieure. Utiliser 2 vis ST4x8mm pour fixer la cheminée inférieure et la cheminée supérieure en ensemble. Avant la fixation de potence à la cheminée, décider l'emplacement des trous de fixation de la potence de cheminée inférieure pour fixer la potence de cheminée inférieure dans l'étape suivante.

Ne pas fixer trop de vis, assurer que la cheminée décorative supérieure peut être ajustée de façon télescopique après l'assemblage.

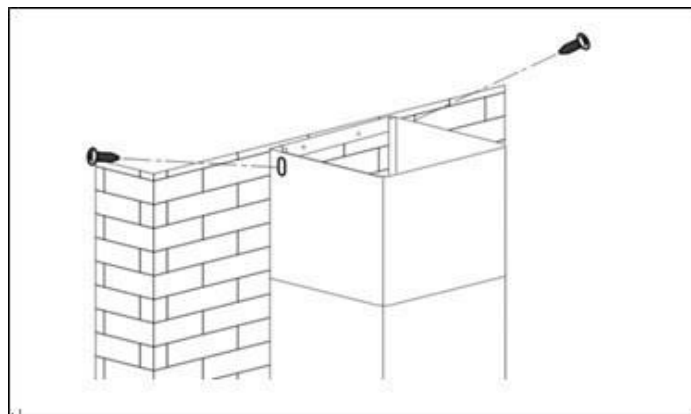
Montage



- 9) Placer le tuyau flexible en aluminium sur la sortie d'air du capot et fixer le tube avec les serre-câbles.

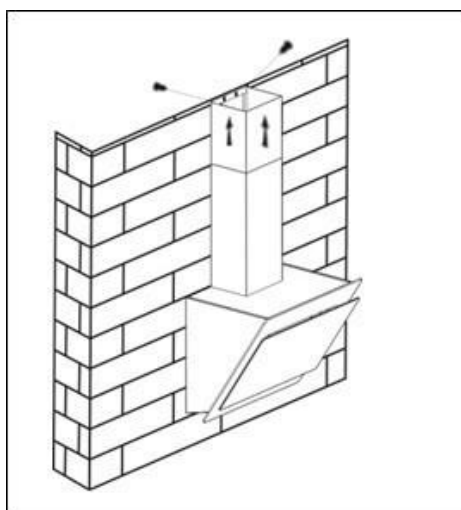


- 10) Placer la cheminée sur la hotte. Fixer la potence de la cheminée inférieure sur le mur à l'aide de 2 vis (4mm x 30mm).

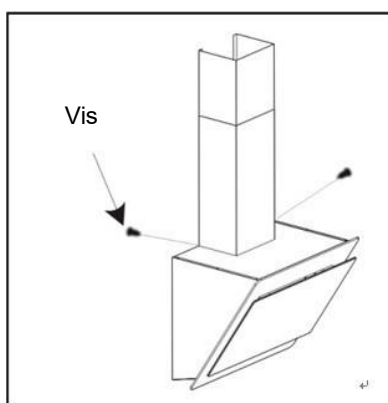


Montage

- 11) Ensuite, retirer la cheminée supérieure vers le haut jusqu'à la hauteur requise. Réaliser l'ajustement pour atteindre la hauteur requise.
- 12) Fixer la cheminée supérieure sur la potence de cheminée supérieure à l'aide de 2 vis (4 x 8mm). Ensuite, fixer la potence de cheminée supérieure sur le mur. Avant la fixation de la potence sur le mur, vous pouvez décider des trous de fixation de la potence de cheminée supérieure pour le montage.



- 13) Fixer la cheminée inférieure avec 2 vis ST4x8mm sur la hotte de la cuisinière.



REMARQUES:

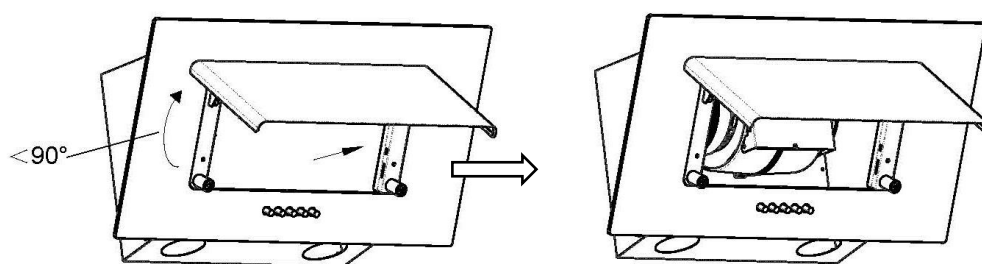
- Raccorder les conduits à la hotte et utiliser le ruban adhésif en feuille métallique pour garantir la sécurité et l'étanchéité des joints.
- Assurer que l'assemblée de volet (ou la plaque ronde) entre dans le conduit et que le volet sera ouvert et fermé librement.

Montage

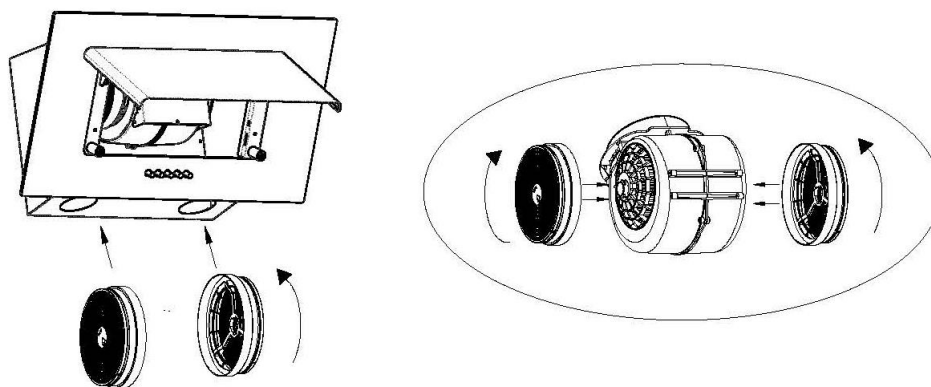
Montage du filtre à charbon actif (échappement vers l'extérieur):

Si vous ne disposez pas d'une sortie vers l'extérieur, le tuyau d'échappement n'est pas nécessaire, tandis que le montage est similaire à celui indiqué dans la section « **Montage (échappement vers l'extérieur)** ».

1. Le filtre à charbon actif peut être utilisé pour piéger les odeurs.
Démonter d'abord le filtre à graisse pour monter le filtre à charbon actif (ouvrir le panneau avant à angle $< 90^\circ$). Appuyer sur le verrou et le tirer vers le bas.



2. Brancher le filtre à charbon actif dans l'appareil et le tourner dans le sens horaire. Répéter la même étape dans l'autre côté.



3. Monter le filtre à graisse. En cas de remplacement, le tourner dans la direction antihoraire.

REMARQUES:

- Assurer que le filtre est bien verrouillé. Sinon, il sera détaché et dangereux.
- Lorsque le filtre à charbon actif est fixé, la puissance d'aspiration sera plus faible.
- Le filtre à charbon actif doit être remplacé tous les 3 mois en fonction de nos conditions.

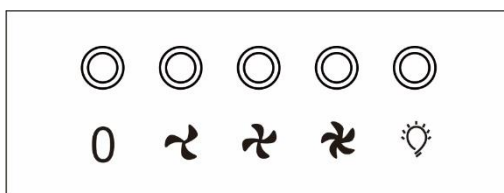
Opération

Allumer toujours votre hotte avant de commencer à cuisiner afin d'établir un flux d'air dans la cuisine.

Laisser le ventilateur fonctionner pendant quelques minutes pour échapper l'air après l'arrêt de la hotte aspirante. Il vous aidera à garder toute la cuisine en état plus propre et plus fraîche.

Bouton-poussoir/bouton électronique

Faire la hotte fonctionner comme suit:



0 Bouton d'arrêt

Il est prévu pour arrêter le ventilateur.

Bouton à faible vitesse

Il est utilisé pour la ventilation de la cuisine. Il convient pour faire mijoter et cuire des aliments qui ne font pas beaucoup de vapeur.

Bouton à vitesse moyenne

La vitesse du flux d'air est idéale pour la ventilation en mode de cuisson standard.

Bouton à grande vitesse

En cas de production d'une forte densité de fumée ou de vapeur, appuyer sur le bouton à grande vitesse pour obtenir une ventilation efficace maximale.

Bouton d'éclairage

En cas d'extinction des lumières, appuyer une fois sur le présent bouton pour allumer les lumières. Appuyer à nouveau sur le présent bouton pour éteindre les lumières.

Nettoyage et maintenance

Une bonne maintenance de la hotte aspirante assurera le bon fonctionnement de l'appareil.

MOTEUR

Le moteur est lubrifié en permanence et n'a jamais besoin d'être huilé. Si les roulements du moteur font un bruit excessif ou inhabituel, remplacer le moteur par le moteur en service exact. La pale du ventilateur doit également être remplacée.

FILTRES A GRAISSE

Les filtres à graisse doivent être nettoyés fréquemment. Utiliser une solution détergente de lave-vaisselle tiède. Les filtres à graisse peuvent être mis au lave-vaisselle.

Nettoyer les filtres tout métal dans le lave-vaisselle en utilisant un détergent sans phosphate. Une décoloration des filtres sera produite en cas d'utilisation de détergents phosphatés, ou en raison des conditions locales de l'eau - mais cela n'affectera pas les performances des filtres. Cette décoloration n'est pas couverte par la garantie. Pour minimiser ou prévenir la décoloration, laver les filtres à la main en utilisant un détergent doux.

PALE DE VENTILATEUR

La pale du ventilateur doit être nettoyée fréquemment. Utiliser un chiffon propre imbibé d'une solution détergente tiède.

FILTRE A CHARBON ACTIF

Le filtre à charbon actif doit être remplacé tous les 3 mois en fonction des conditions d'utilisation. Le remplacer plus souvent si votre mode de cuisson génère la graisse excessive, par exemple la friture et la cuisson au wok. Ces filtres ne sont pas lavables et ne peuvent pas être restaurés. Se référer aux manuels de montage fournis avec le filtre à charbon actif.

NETTOYAGE DE L'ACIER INOXYDABLE

Pouvoir:

- Réaliser régulièrement le nettoyage avec un chiffon propre ou imbibé d'eau chaude et de savon doux ou de détergent à vaisselle liquide.
- Réaliser toujours le nettoyage dans la direction des lignes de polissage d'origine.
- Réaliser toujours le bon rinçage à l'eau claire (à 2 ou 3 fois) après le nettoyage. Réaliser l'essuyage complet.
- Vous pouvez également utiliser un nettoyant ménager spécialisé pour l'acier inoxydable.

Nettoyage et maintenance

Ne pas:

- Utiliser une laine d'acier ou d'acier inoxydable ou tout autre grattoir pour enlever la saleté tenace.
- Utiliser des nettoyants agressifs ou abrasifs.
- Laisser la saleté s'accumuler.
- Laisser la poussière de plâtre ou tout autre résidu de construction atteindre la hotte. Lors de la construction/rénovation, couvrir la hotte pour vous assurer qu'aucune poussière ne colle à la surface en acier inoxydable.

Lors du choix d'un détergent, éviter:

- Tout détergent contenant le décolorant attaquera l'acier inoxydable.
- Tout produit contenant **du chlorure, du fluorure, de l'iodure ou du bromure** détériorera rapidement les surfaces.
- Tous les produits combustibles utilisés pour le nettoyage, tels que **l'acétone, l'alcool, l'éther, le benzol**, etc. sont très explosifs et ne doivent jamais être utilisés à proximité d'une zone de travail.

NETTOYAGE APRES FINITION DE PEINTURE:

Réaliser uniquement le nettoyage à l'eau chaude et avec un détergent doux. En cas de décoloration, utiliser un produit de finition tel qu'un produit de polissage automobile. (NE PAS utiliser le nettoyant abrasif rugueux ou le nettoyant pour porcelaine).

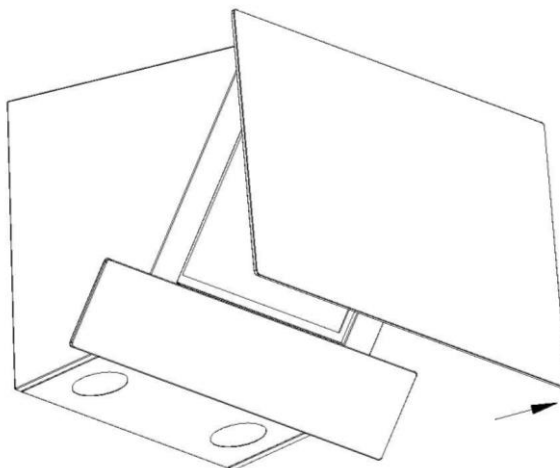
REPLACEMENT DE LAMPE LED

- **Lampe LED circulaire/rectangulaire:**

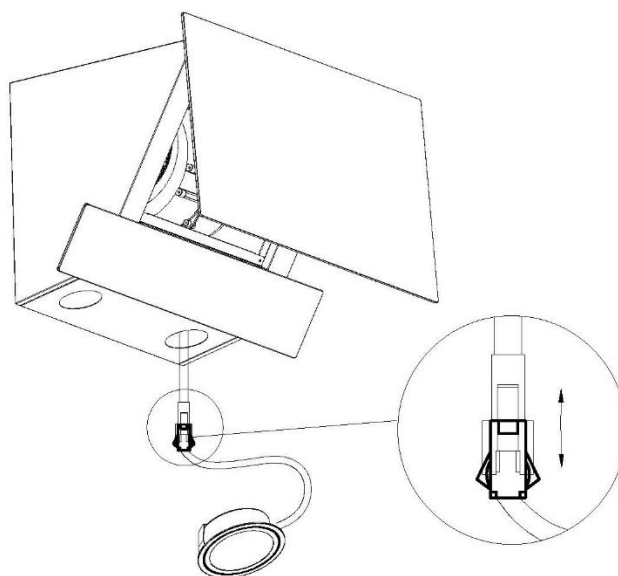


Nettoyage et Maintenance

1. S'il est nécessaire de remplacer la lampe LED, détacher d'abord le filtre à graisse. Appuyer sur le verrou et le tirer vers le bas.



2. Pousser le support de lampe LED à la main à partir de l'armoire, retirer la lampe LED et le câble en ensemble, ouvrir le couvercle de protection de l'alimentation, retirer la fiche et remplacer la lampe LED du modèle correspondant.



FR



AVERTISSEMENT :

Avant le nettoyage, ou la réparation et le remplacement des accessoires, assurer de couper l'alimentation électrique avant l'opération afin d'éviter les chocs électriques, les dommages au corps humain et même de mettre en danger la sécurité des personnes!

Dépannage

Problème	Cause possible	Solution
La hotte aspirante ne fonctionne pas	Pas d'alimentation électrique	Contrôler si la prise est bien branchée et que le commutateur général est bien enclenché
Mauvaise circulation de l'air	Filtres à graisse obstrués par l'accumulation de graisse	Nettoyer les filtres à graisse et les remettre en place après la mise à sec
	Filtres à charbon colmatés par l'accumulation de graisse	Remplacer les filtres à charbon par des nouveaux ensembles
L'aspiration de la hotte n'est pas efficace	Ventilation insuffisante	Assurer que la cuisine est suffisamment ventilée pour permettre l'entrée d'air frais
	Les filtres à charbon ne sont pas montés	Monter des filtres à charbon pour la mise en mode de recirculation
Le moteur se fonctionne sans présenter la circulation d'air	Echappement insuffisant	Veillez contacter le service de clientèle de CIARRA
Bruit de ronflement	Un objet étranger peut être mis en contact avec la pale du ventilateur	Veillez contacter le service de clientèle de CIARRA
Les lumières ne fonctionnent pas	Les barres lumineuses sont éteintes par soufflage	Remplacer la lumière endommagée
	Les connexions de la barre lumineuse sont lâches	Rétablir la connexion

Si le problème persiste après les contrôles susmentionnés, veuillez contacter le Centre d'assistance à la clientèle de CIARRA pour obtenir l'assistance.

Protection environnementale

Les déchets de produits électriques ne doivent pas être jetés avec les ordures ménagères. Veuillez les recycler dans l'endroit où existe des installations. Consulter votre autorité locale ou votre revendeur pour obtenir des conseils de recyclage.



Le présent appareil est marqué conformément à la directive européenne 2012/19/UE relative aux déchets d'équipements électriques et électroniques (DEEE).

En cas de garantie d'élimination correcte du présent produit, vous contribuerez à prévenir les conséquences négatives potentielles pour l'environnement et la santé humaine, qui pourraient autrement être causées par une manipulation inappropriée des déchets du présent produit.

Le symbole sur le produit indique que le présent produit ne peut pas être traité comme un déchet ménager. Il doit plutôt être remis au point de récupération applicable pour le recyclage des équipements électriques et électroniques.

L'élimination doit être effectuée conformément aux réglementations environnementales locales en matière d'élimination des déchets.

Pour obtenir des informations plus détaillées sur le traitement, la récupération et le recyclage du présent produit, veuillez contacter votre bureau municipal local, votre service d'élimination des déchets ménagers ou le magasin où vous avez acheté le produit.

Caro cliente:

Congratulazioni per l'acquisto di questo dispositivo. Questo manuale di istruzioni ha lo scopo di fornire tutte le istruzioni necessarie relative all'installazione, all'uso e alla manutenzione dell'apparecchio. Per un funzionamento corretto e sicuro dell'apparecchio, leggere attentamente questo manuale di istruzioni prima dell'installazione e dell'uso.

La cappa da cucina utilizza materiali di alta qualità ed è realizzata con un design aerodinamico. Dotato di motore elettrico di grande potenza e ventilatore centrifugo, fornisce anche una forte potenza di aspirazione, funzionamento silenzioso, filtro antiaderente e facile installazione di montaggio.

Scansiona il codice QR per ottenere l'accesso per contattare il servizio Amazon CIARRA in caso di domande.

E-mail: info@ciarra.store

Scansiona per contattare il Servizio Amazon CIARRA



UK



DE



FR



IT



ES



NL



SE

IT

INDICE

Sicurezza -----	60-61
Specifiche -----	62
Componenti -----	62
Installazione -----	63-70
Prepararsi all'installazione-----	63
Strumenti consigliati per l'installazione-----	64
Installare la cappa-----	65-69
Installazione del filtro a carboni attivi-----	70
Operazione -----	71
Pulizia e manutenzione -----	72-74
MOTORE	
FILTRI DEI GRASSI	
VENTOLA LAMA	
FILTRO A CARBONI ATTIVI	
PULIZIA DELL'ACCIAIO INOSSIDABILE	
PULIZIA FINITURA VERNICIATA:	
SOSTITUZIONE DELLA LAMPADINA	
Risoluzione dei problemi -----	75
Protezione ambientale -----	76

AVVERTENZA



PER RIDURRE IL RISCHIO DI INCENDI, SCOSSE ELETTRICHE O LESIONI A PERSONE, OSSERVARE QUANTO SEGUE:



- Utilizzare questo apparecchio solo nel modo previsto dal produttore. In caso di domande, contattare il produttore all'indirizzo o al numero di telefono indicato nella garanzia.
- Prima di eseguire la manutenzione o la pulizia dell'unità, spegnere l'alimentazione dal pannello di servizio e bloccare i mezzi di scollegamento del servizio per impedire l'accensione accidentale. Quando i mezzi di disconnessione del servizio non possono essere bloccati, fissare saldamente un dispositivo di avvertimento ben visibile, come un'etichetta, al pannello di servizio.
- Il lavoro di installazione e il cablaggio elettrico devono essere eseguiti da una persona qualificata in conformità con tutti i codici e gli standard applicabili, inclusa la costruzione antincendio.
- È necessaria aria sufficiente per una corretta combustione e scarico dei gas attraverso la canna fumaria (camino) delle apparecchiature che bruciano carburante per evitare il ritorno di correnti d'aria.
- Quando si taglia o si fora la parete o il soffitto, non danneggiare i cavi elettrici e altre utilità nascoste.
- I ventilatori intubati devono essere sempre ventilati verso l'esterno.
- Non utilizzare questo apparecchio con altri dispositivi di controllo della velocità a stato solido.
- Questo apparecchio deve essere collegato a terra.
- Quando le normative locali applicabili comprendono requisiti di installazione e / o certificazione più restrittivi, i requisiti di cui sopra prevalgono su quelli del presente documento e l'installatore accetta di conformarsi a questi a proprie spese.

PER RIDURRE IL RISCHIO DI UN INCENDIO PER I GRASSI DELL'OLIO:



1) Non lasciare mai le unità di superficie incustodite a impostazioni elevate. Gli oli surriscaldati causano fumo e macchie di grasso che possono incendiarsi. Riscaldare gli oli lentamente a impostazioni basse o medie.



2) Accendere sempre la cappa quando si cucina a fuoco alto o quando si usa il flambé.

3) Pulire frequentemente la ventola di ventilazione. Evitare l'accumulo di grasso su ventole, filtri o condotti di scarico.

4) Utilizzare la dimensione della padella corretta. Utilizzare sempre pentole adeguate alle dimensioni dell'elemento di superficie.

Sicurezza

AVVERTENZA

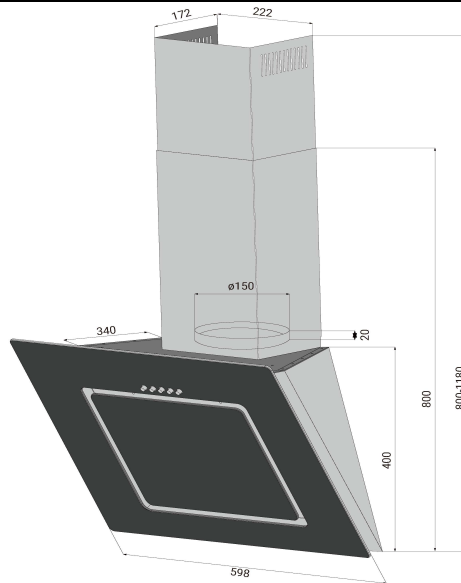
PER RIDURRE IL RISCHIO DI LESIONI A PERSONE IN CASO DI INCENDIO PER I GRASSI DELL'OLIO, OSSERVARE QUANTO SEGUE *:

1. ALLEVIARE LE FIAMME con un coperchio aderente, una teglia o un vassoio di metallo, quindi spegnere il bruciatore. FARE ATTENZIONE A PREVENIRE USTIONI. SE LE FIAMME NON SI SPEGNONO IMMEDIATAMENTE EVACUARE E CHIAMARE I VIGILI DEL FUOCO.
2. NON PRENDERE MAI UNA PADELLA IN FIAMME - Potresti scottarti.
3. NON USARE ACQUA, inclusi strofinacci o asciugamani bagnati - Ciò potrebbe causare una violenta esplosione di vapore.
4. Utilizzare un estintore SOLO se:
 - a) Possiedi un estintore di classe ABC e sai come farlo funzionare.
 - b) L'incendio è piccolo e contenuto nell'area in cui è iniziato.
 - c) Sono stati chiamati i vigili del fuoco.
 - d) Puoi combattere il fuoco dando le spalle a un'uscita.

ATTENZIONE

- Solo per uso interno.
- Solo per ventilazione generale. Non utilizzare per aspirare materiali e vapori pericolosi o esplosivi.
- Per evitare danni ai cuscinetti del motore e pale del ventilatore rumorose e / o sbilanciate, tenere gli spruzzi del muro a secco, la polvere di costruzione, ecc. Fuori dalla cappa.
- Il motore della cappa ha un sovraccarico termico che spegnerà automaticamente il motore se si surriscalda. Il motore si riavvierà quando si raffredda. Se il motore continua a spegnersi e riavviarsi, far riparare la cappa.
- Per una migliore cattura dei fumi di cottura, il fondo della cappa NON DEVE ESSERE A MENO di 18" e ad un massimo di 24" sopra la superficie di cottura.
- Seguire sempre i requisiti del produttore dell'attrezzatura da cucina riguardo alle esigenze di ventilazione
- Per ridurre il rischio di incendio e per espellere adeguatamente l'aria, assicurarsi di canalizzare l'aria all'esterno - Non scaricare l'aria negli spazi all'interno delle pareti o del soffitto o in soffitte, spazi ristretti o garage.
- Durante l'installazione, la manutenzione o la pulizia dell'apparecchio, si consiglia di indossare occhiali e guanti di sicurezza.
- Leggere l'etichetta delle specifiche sul prodotto per ulteriori informazioni e requisiti.

Specifiche



Tensione	220V-240V~ 50Hz
Potenza del motore	1 x 70W
Potenza delle lampade	2 x 1W
Lunghezza del cavo	1.5M
Dimensioni apparecchio	598*340*800~1180mm (W x D x H)
Nota: il produttore si riserva il diritto di modificare qualsiasi miglioramento tecnologico o modifica senza preavviso.	

IT

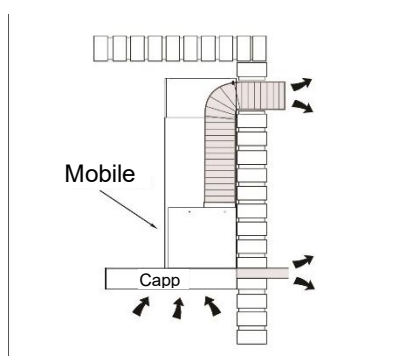
Componenti

N.	Descrizione	Quantità	Figura	N.	Descrizione	Quantità	Figura
1	Spina a muro	9		8	Supporto camino inferiore	1	
2	Viti da 4*30mm	9		9	Supporto camino superiore	1	
3	Viti da 4*8mm	6		10	Supporto muro	1	
4	Condotto flessibile in alluminio	1		11	Manuale di installazione	1	
5	Fascette per cavi	2		12	Corpo della cappa	1	
6	Camino decorativo inferiore	1		13	Camino decorativo superiore	1	
7	Filtro a carbone attivo	2					

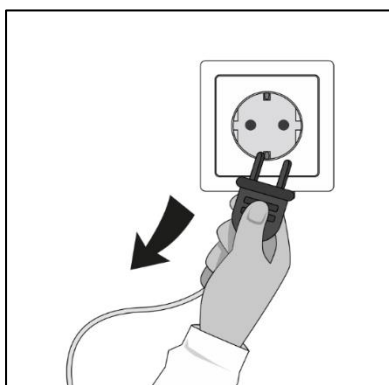
Installazione

Preparasi all'installazione:

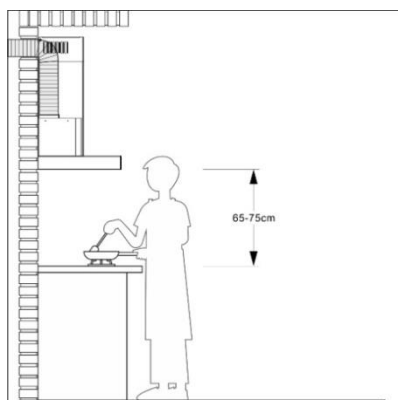
a) Se hai uno scarico verso l'esterno, la tua cappa può essere collegata come in foto sotto tramite un condotto di aspirazione (smalto, alluminio, tubo flessibile o materiale infiammabile con diametro interno di 150mm). Scegliere un condotto corto e dritto per consentire alla cappa di funzionare in modo più efficiente. Lunghe corse dei condotti, gomiti e transizioni ridurranno le prestazioni della cappa. Usare il minor numero possibile. Quando possibile, usare almeno 2 piedi rettilinei prima di ogni curva. Potrebbe essere necessario un condotto più grande per ottenere le migliori prestazioni con tratti di condotto più lunghi.



b) Prima dell'installazione, spegnere l'apparecchio e scollegarla dalla presa.



c) La cappa deve essere posizionata a una distanza di 65 ~ 75 cm sopra il piano di cottura per ottenere i migliori risultati.



Strumenti consigliati per l'installazione

- Nastro di misurazione
- Cacciavite Phillips n. 2
- Cacciavite a lama piatta (per aprire i fori ciechi)
- Trapano, punta da trapano da 1/8 "e sega a tazza da 1½" (per contrassegnare i fori per la canalizzazione e tagliare il foro di accesso elettrico)
- Spessori per legno (2) e viti per legno (4) (necessari per l'installazione standard sull'armadio con telaio)
- Sega (per tagliare fori per applicazioni canalizzate)
- Cesoia per lamiera (solo installazione canalizzata, per regolazione canale)
- Pinza (solo installazione canalizzata, per regolazione canale)
- Nastro adesivo in lamina metallica (per applicazioni canalizzate)
- Forbici (per tagliare il nastro adesivo in lamina metallica)
- Matita
- Spogliafili
- Pressacavo, diametro 1/2 "(per fissare il cavo di cablaggio della casa alla cappa)



ATTENZIONE: Prima di procedere all'installazione, controllare il contenuto della confezione. Se gli elementi sono mancanti o danneggiati, contattare il produttore.

Osserva tutti i codici e le ordinanze. Far installare la cappa da un tecnico qualificato. È responsabilità dell'installatore rispettare gli spazi di installazione specificati sulla targhetta del modello / numero di serie. Il produttore declina ogni responsabilità per installazione impropria e declina ogni responsabilità per la garanzia dell'apparecchio in caso di danni causati da un'installazione errata.

Installazione

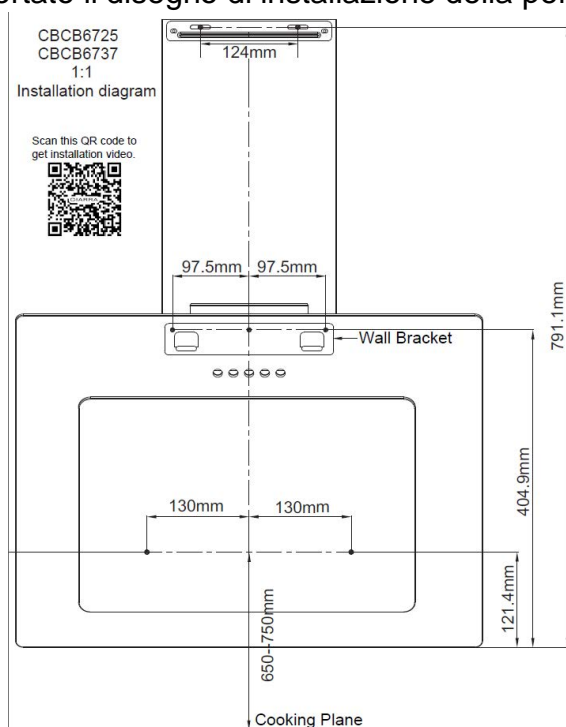


Attenzione: Rispettare le avvertenze nel foglio istruzioni relative al funzionamento dell'apparecchio quando l'aria viene scaricata dall'ambiente.

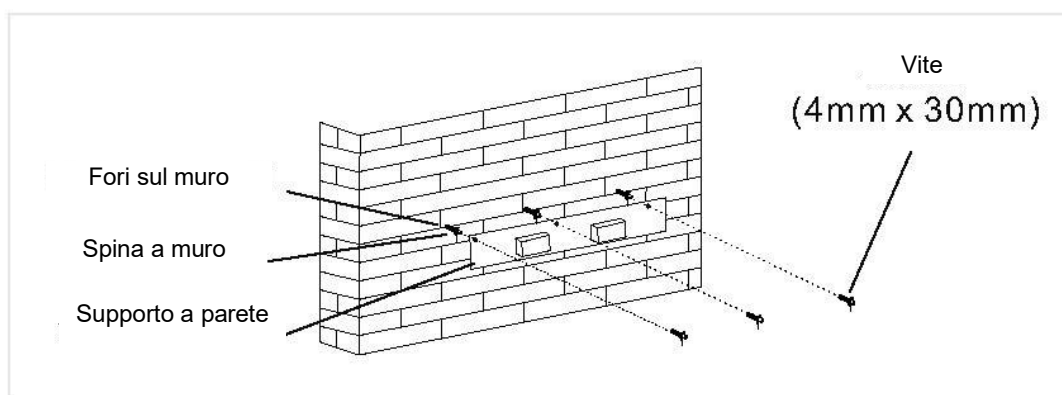
Quando la cappa da cucina e l'apparecchio alimentato con energia diversa dall'elettricità sono contemporaneamente in funzione, la pressione negativa nel locale non deve essere superiore a 4 Pa (4×10^{-5} Bar).

Installare la cappa (VENTILAZIONE ESTERNA) :

- 1) Se presente, rimuovere tutta la pellicola protettiva in polietilene dalla cappa e / o dalle parti.
- 2) Di seguito è riportato il disegno di installazione della perforazione del foro:

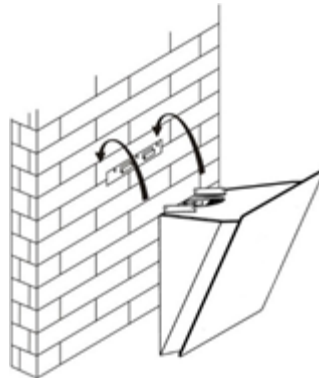


- 3) In base al disegno dei fori 1: 1, praticare 3 fori da $\varnothing 8$ mm per accogliere la staffa. Avvitare e serrare la staffa alla parete con le viti e i tasselli forniti.

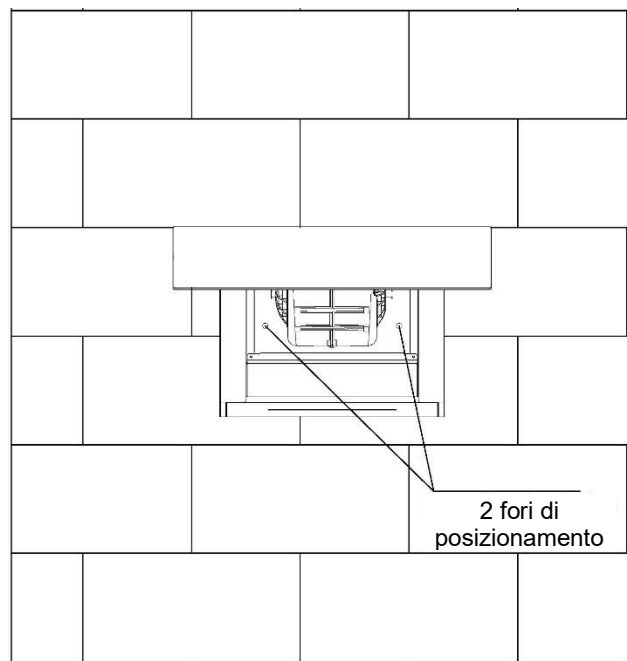
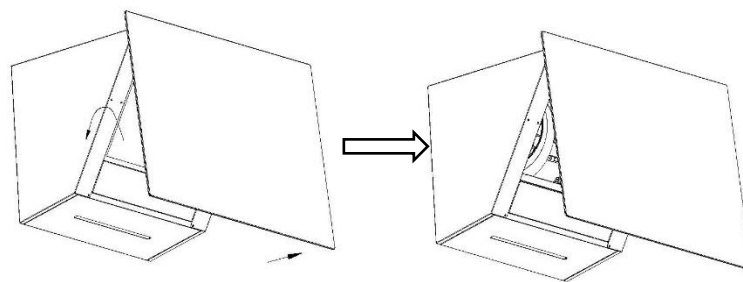


Installazione

- 4) Appendere la cappa aspirante al supporto a parete.

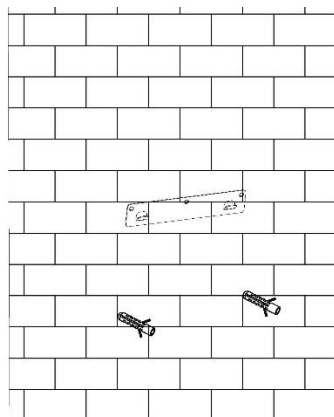


- 5) Aprire il pannello in vetro, estrarre il filtro antigrasso, individuare i due fori di posizionamento all'interno del recipiente in figura, segnare rispettivamente con la penna e quindi smontare la cappa.

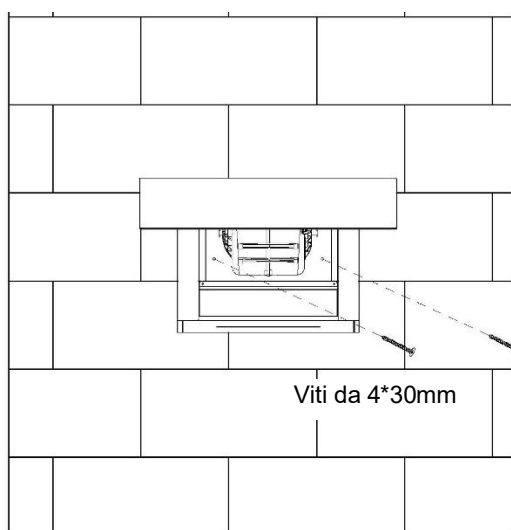


Installazione

- 6) Praticare due fori da 8 mm nella posizione contrassegnata sul muro con un trapano elettrico, quindi inserire il tassello.

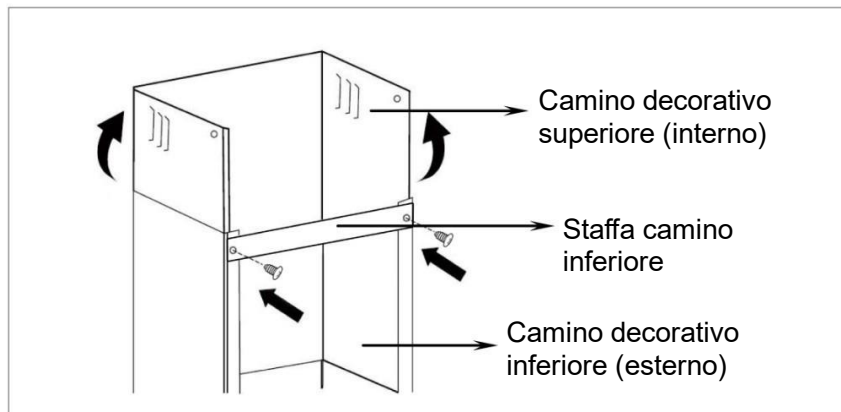


- 7) Appendere nuovamente la cappa aspirante al supporto murale. Successivamente, utilizzare due viti da 4 * 30 mm per bloccare il posizionamento corrispondente nella figura.

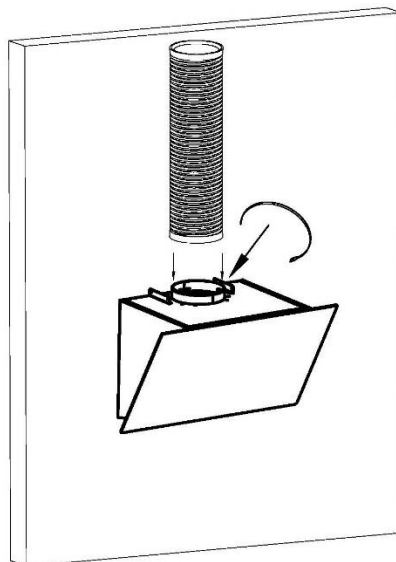


- 8) La staffa del camino inferiore viene utilizzata per fissare il camino decorativo superiore e il camino decorativo inferiore. Utilizzare 2 viti ST4x8mm per fissare insieme il camino inferiore e superiore. Prima di attaccare la staffa al camino, decidere la posizione dei fori di fissaggio della staffa inferiore del camino per fissare la staffa inferiore del camino nella fase successiva. Non serrare troppo le viti, assicurarsi che il camino decorativo superiore possa essere regolato telescopicamente dopo il montaggio.

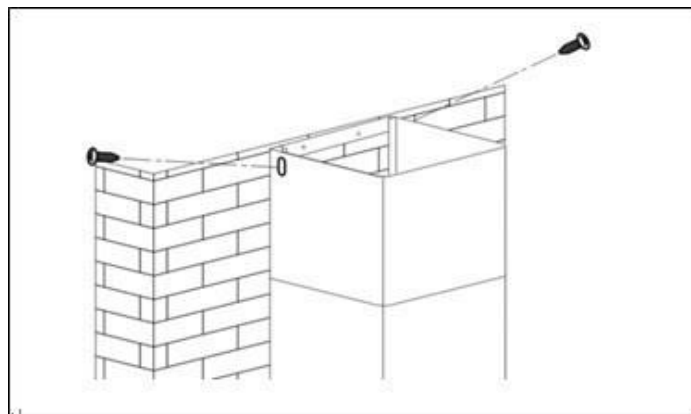
Installazione



- 9) Posizionare il tubo flessibile in alluminio sull'uscita dell'aria della cappa e fissare il tubo con le fascette.

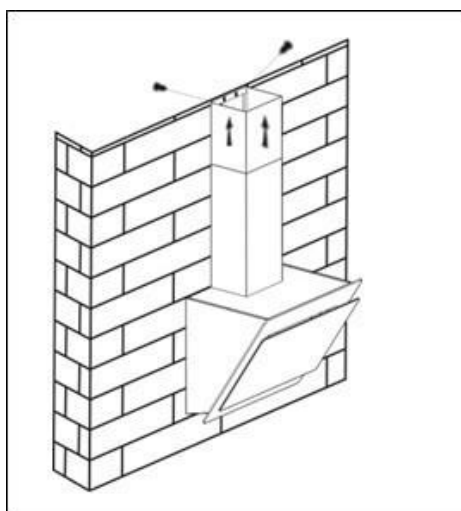


- 10) Mettere la canna fumaria sulla cappa. Fissare la staffa inferiore del camino alla parete con 2 viti (4 mm x 30 mm).

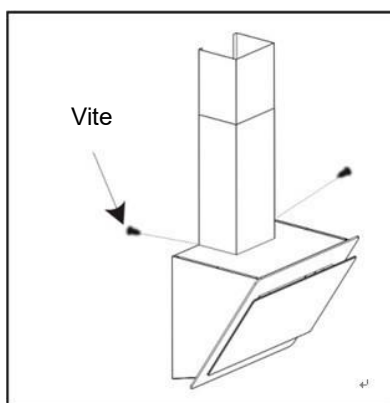


Installazione

- 11) Quindi estrarre il camino superiore verso l'alto fino all'altezza desiderata. Regolare per raggiungere l'altezza richiesta.
- 12) Fissare il camino superiore sulla staffa del camino superiore con 2 viti (4x8mm). Quindi fissare la staffa del camino superiore alla parete. Prima di fissare la staffa alla parete, è possibile stabilire i fori di fissaggio della staffa superiore del camino per l'installazione.



- 13) Fissare il camino inferiore con 2 viti ST4x8mm sulla cappa.



NOTA:

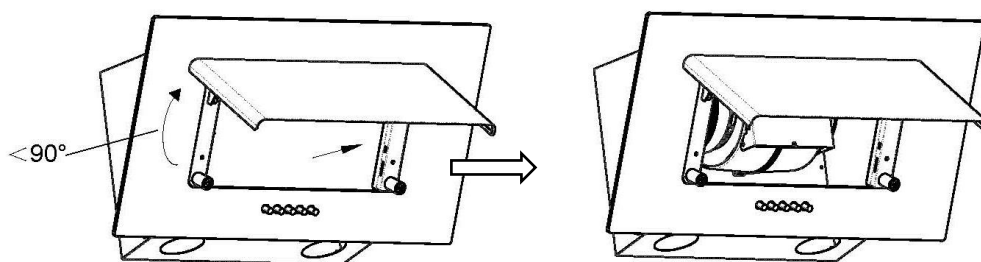
- Collegare la canalizzazione alla cappa e utilizzare nastro adesivo in lamina di metallo per rendere i giunti sicuri e a tenuta d'aria.
- Assicurarsi che il gruppo della serranda (o la piastra del condotto circolare) entri nella canalizzazione e che la serranda si apra e si chiuda liberamente.

Installazione

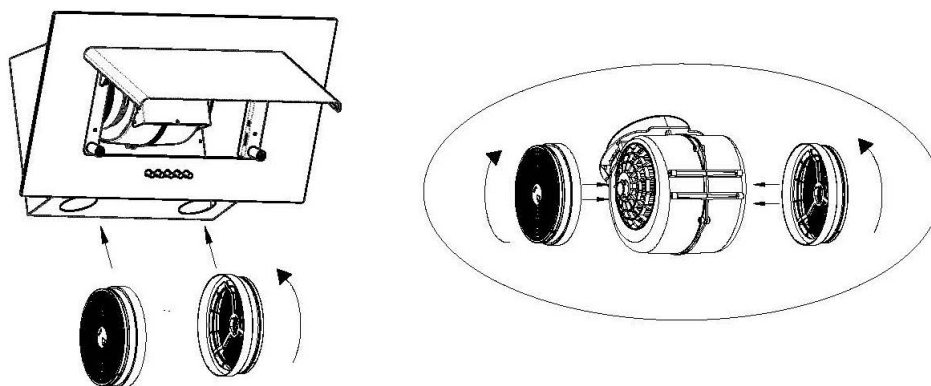
Installazione del filtro a carboni attivi (VENTILAZIONE INTERNA):

Se non si dispone di uno scarico verso l'esterno, il tubo di scarico non è necessario e l'installazione è simile a quella mostrata nella sezione "Installazione (Ventilazione all'esterno)"

1. Il filtro a carbone attivo può essere utilizzato per intrappolare gli odori. Per installare il filtro a carboni attivi, è necessario rimuovere prima il filtro antigrasso (il pannello anteriore si apre con un angolo $<90^\circ$). Premere il blocco e tirarlo verso il basso.



2. Inserire il filtro a carboni attivi nell'unità e ruotarlo in senso orario. Ripetere lo stesso sull'altro lato.



3. Installare il filtro antigrasso. In caso di sostituzione, ruotarlo in senso antiorario.

NOTA:

- Verificare che il filtro sia saldamente bloccato. Altrimenti, si allenterebbe e causerebbe pericolo.
- Quando il filtro a carbone attivo è collegato, la potenza di aspirazione sarà inferiore.
- Il filtro a carbone attivo deve essere cambiato ogni 3 mesi a seconda delle nostre condizioni.

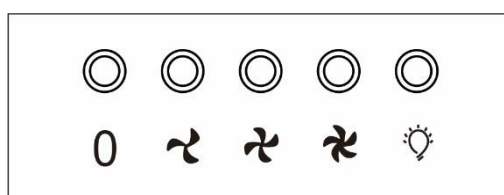
Operazione

Accendi sempre la cappa prima di iniziare a cucinare per stabilire un flusso d'aria in cucina.

Lascia che il ventilatore funzioni per alcuni minuti per liberare l'aria dopo aver spento la cappa. Ciò contribuirà a mantenere l'intera cucina più pulita e fresca.

Pulsante/Pulsante elettronico

Azionare la cappa come segue:



0 Pulsante OFF

Serve per spegnere la ventola.

Pulsante di bassa velocità

Viene utilizzato per la ventilazione in cucina. È adatto per cuocere a fuoco lento e per cotture che non producono molto vapore.

Pulsante di velocità media

La velocità del flusso d'aria è ideale per la ventilazione durante le operazioni di cottura standard.

Pulsante di velocità alta

Quando viene prodotta un'alta densità di fumo o vapore, premere il pulsante ad alta velocità per la massima ventilazione efficace.

Pulsante della luce

Quando le luci sono spente, premere una volta questo pulsante per accenderle. Premere di nuovo questo pulsante per spegnere le luci.

Pulizia e manutenzione

Una corretta manutenzione della cappa assicurerà il corretto funzionamento dell'apparecchio.

MOTORE

Il motore è permanentemente lubrificato e non necessita di lubrificazione. Se i cuscinetti del motore emettono un rumore eccessivo o insolito, sostituire il motore con il motore di servizio esatto. Anche la pala della ventola dovrebbe essere sostituita.

FILTRI DEI GRASSI

I filtri antigrasso devono essere puliti frequentemente. Utilizzare una soluzione detergente per piatti calda. I filtri antigrasso sono lavabili in lavastoviglie. Pulire i filtri interamente in metallo in lavastoviglie utilizzando un detergente senza fosfati. Lo scolorimento dei filtri può verificarsi se si utilizzano detersivi a base di fosfati o come conseguenza delle condizioni dell'acqua locali, ma ciò non influirà sulle prestazioni del filtro. Questo scolorimento non è coperto dalla garanzia. Per ridurre al minimo o prevenire lo scolorimento, lavare a mano i filtri utilizzando un detergente delicato.

VENTOLA LAMA

La pala della ventola deve essere pulita frequentemente. Utilizzare un panno pulito imbevuto di una soluzione detergente calda.

FILTRO A CARBONI ATTIVI

Il filtro a carboni attivi deve essere cambiato ogni 3 mesi a seconda delle condizioni di utilizzo. Sostituisci più spesso se il tuo stile di cucina genera grasso extra, come la frittura e la cottura nel wok. Questi filtri non sono lavabili e non possono essere ripristinati. Fare riferimento alle istruzioni di installazione incluse con il filtro a carbone attivo.

PULIZIA DELL'ACCIAIO INOSSIDABILE

Fare:

- Lavare regolarmente con un panno pulito o uno straccio imbevuto di acqua tiepida e sapone neutro o detersivo liquido per piatti.
- Pulire sempre nella direzione delle linee di lucidatura originali.
- Sciacquare sempre bene con acqua pulita (2 o 3 volte) dopo la pulizia. Asciugare completamente.
- È inoltre possibile utilizzare un detergente domestico specifico per acciaio inossidabile.

Pulizia e manutenzione

Non:

- Utilizzare lana d'acciaio o acciaio inossidabile o altri raschietti per rimuovere lo sporco ostinato.
- Utilizzare detergenti aggressivi o abrasivi.
- Lasciar accumulare lo sporco.
- Lasciare che la polvere di intonaco o altri residui di costruzione raggiungano la cappa. Durante la costruzione / ristrutturazione, coprire la cappa per assicurarsi che la polvere non si attacchi alla superficie in acciaio inossidabile.

Evitare quando scegli un detergente:

- Eventuali detergenti che contengono **candeggina** attaccheranno l'acciaio inossidabile.
- Qualsiasi prodotto contenente: **cloruro, fluoruro, ioduro, bromuro** deteriorerà rapidamente le superfici.
- Tutti i prodotti combustibili utilizzati per la pulizia come **acetone, alcol, etere, benzolo**, ecc. Sono altamente esplosivi e non devono mai essere utilizzati in prossimità di una portata.

PULIZIA FINITURA VERNICIATA:

Pulire solo con acqua calda e un detergente delicato. In caso di scolorimento, utilizzare un lucido per finiture come il lucido per automobili. (NON utilizzare un detergente abrasivo ruvido o un detergente per porcellana.)

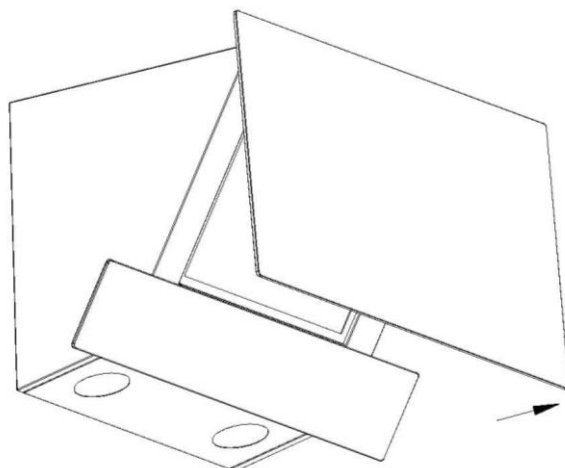
SOSTITUZIONE LED

- Lampada LED circolare/rettangolare:

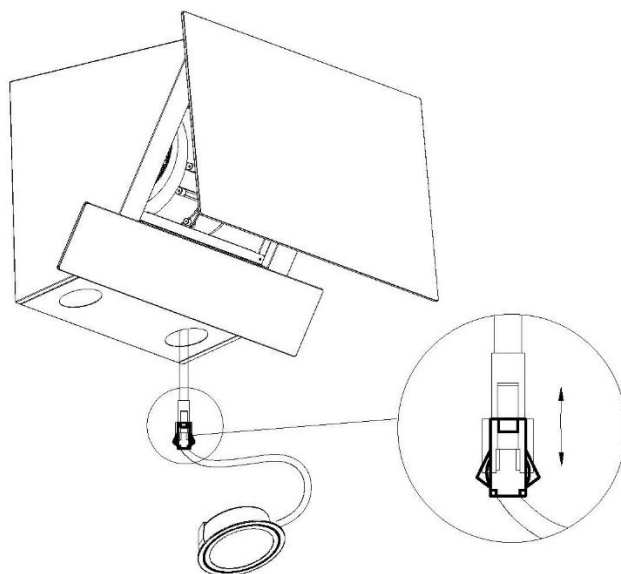


Pulizia e manutenzione

1. Se è necessario sostituire la lampada LED, rimuovere prima il filtro antigrasso. Premere il blocco e tirarlo verso il basso.



2. Spingere manualmente il portalampana LED fuori dall'armadio, estrarre la lampada LED e il cavo insieme, aprire il coperchio di protezione dell'alimentazione, estrarre la spina e sostituire la lampada LED del modello corrispondente.



ATTENZIONE:

Prima di pulire o riparare e sostituire gli accessori, assicurarsi di spegnere l'alimentazione prima del funzionamento, in modo da evitare scosse elettriche, danni al corpo umano e persino mettere in pericolo la sicurezza della vita!

Risoluzione dei problemi

Problema	Possibile causa	Soluzione
La cappa aspirante non funziona	Manca l'alimentazione elettrica	Verificare che la spina sia collegata e che l'interruttore di alimentazione principale sia acceso
Scarsa circolazione dell'aria	Filtri antigrasso ostruiti da accumuli di grasso	Pulire i filtri antigrasso e rimontarli quando sono asciutti
	Filtri a carbone attivo intasati da accumulo di grasso	Sostituire i filtri a carbone con set nuovi
L'aspirazione della cappa non è efficace	Ventilazione inadeguata	Assicurarsi che la cucina sia sufficientemente ventilata per consentire l'ingresso di aria fresca
	I filtri al carbone non sono installati	Installare filtri al carbone per impostare la modalità di ricircolo
Il motore funziona ma non c'è flusso d'aria	Scarico povero	Contattare il Servizio Clienti CIARRA
Ronzio	Un oggetto estraneo può essere in contatto con la pala della ventola	Contattare il Servizio Clienti CIARRA
Le luci non funzionano	Le barre luminose sono bruciate	Sostituire la luce danneggiata
	I collegamenti della barra luminosa sono allentati	Ripristinare il collegamento

Se il problema persiste dopo i controlli di cui sopra, contattare il Centro assistenza clienti CIARRA per assistenza.

Protezione ambientale

I prodotti elettrici di scarto non devono essere smaltiti con i rifiuti domestici. Si prega di riciclare dove esistono strutture. Verificare con l'autorità locale o il rivenditore per consigli sul riciclaggio.



Questo apparecchio è contrassegnato in conformità alla direttiva europea 2012/19 / UE sui rifiuti di apparecchiature elettriche ed elettroniche (RAEE).

Garantendo che questo prodotto sia smaltito correttamente, aiuterai a prevenire potenziali conseguenze negative per l'ambiente e la salute umana, che potrebbero altrimenti essere causate da una gestione inappropriata dei rifiuti di questo prodotto.

Il simbolo sul prodotto indica che questo prodotto non può essere trattato come rifiuto domestico. Deve invece essere consegnato al punto di raccolta appropriato per il riciclaggio di apparecchiature elettriche ed elettroniche.

Lo smaltimento deve essere effettuato in conformità con le normative ambientali locali per lo smaltimento dei rifiuti.

Per informazioni più dettagliate sul trattamento, recupero e riciclaggio di questo prodotto, contattare l'ufficio comunale locale, il servizio di smaltimento dei rifiuti domestici o il negozio in cui è stato acquistato il prodotto.

Estimado cliente:

Felicitaciones por la compra de este aparato. El Manual de Instrucciones está diseñado para proporcionarle todas las instrucciones necesarias relacionadas con la instalación, el uso y el mantenimiento del aparato. Para operar la unidad adecuadamente y con seguridad, lea el Manual de Instrucciones con atención antes de la instalación y el uso.

La campana extractora utiliza materiales de alta calidad, con un diseño aerodinámico. Equipada con un motor eléctrico de gran potencia y un ventilador centrífugo, también se caracteriza por una fuerte fuerza de succión, un funcionamiento silencioso, un filtro de grasa antiadherente y un fácil montaje.

Escanee el código QR para acceder a comunicarse con el Servicio de CIARRA Amazon si tiene cualquier pregunta.

E-mail: info@ciarra.store

Escanee para ponerse en contacto con el Servicio de CIARRA Amazon



UK



DE



FR



IT



ES



NL



SE

CONTENIDO

Seguridad -----	79-80
Especificaciones -----	81
Componentes -----	81
Instalación -----	82-89
Preparación para la instalación-----	82
Herramientas Recomendadas para Instalación-----	83
Instale la Campana-----	84-88
Instalación del Filtro de Carbón Activado-----	89
Operación -----	90
Limpieza y Mantenimiento -----	91-93
MOTOR	
FILTROS DE GRASA	
PALETA DEL VENTILADOR	
FILTRO DE CARBÓN ACTIVADO	
LIMPIEZA DE ACERO INOXIDABLE	
LIMPIEZA DE ACABADO PINTADO:	
REEMPLAZO DE BOMBILLAS	
Solución de Problemas -----	94
Protección Ambiental -----	95

ADVERTENCIA

PARA REDUCIR EL RIESGO DE INCENDIO, DESCARGA ELÉCTRICA O LESIONES A LAS PERSONAS, OBSERVE LO SIGUIENTE:



- Utilice este aparato únicamente de la manera prevista por el fabricante. Si tiene preguntas, comuníquese con el fabricante a la dirección o al número de teléfono que figura en la garantía.
- Antes de reparar o limpiar el aparato, apague la fuente de alimentación en el panel de servicio y bloquee los medios de desconexión de servicio para evitar que la fuente de alimentación se encienda accidentalmente. Cuando los medios de desconexión de servicio no se puedan bloquear, sujete de forma segura un dispositivo de advertencia prominente, como una etiqueta, en el panel de servicio.
- El trabajo de instalación y el cableado eléctrico deben ser realizados por persona(s) calificada(s) de acuerdo con todos los códigos y normas aplicables, incluida la construcción resistente al fuego.
- Se necesita suficiente aire para la combustión adecuada y el escape de gases a través del conducto de humos (chimenea) del equipo de combustión de combustible para evitar la contracorriente.
- Cuando corte o taladre en la pared o el techo, no dañe el cableado eléctrico y otras instalaciones ocultas.
- Los ventiladores con conductos siempre deben estar ventilados al exterior.
- No utilice este aparato con ningún dispositivo de control de velocidad de estado sólido adicional.
- Este aparato debe estar conectado a tierra.
- Cuando las regulaciones locales aplicables comprendan requisitos de instalación y/o certificación más restrictivos, los requisitos antes mencionados prevalecen sobre los de este documento y el instalador se compromete a cumplir con estos por su cuenta.

PARA REDUCIR EL RIESGO DE INCENDIO DE GRASA EN UN ÁREA EXTENSA:



- 1) Nunca deje las unidades de superficie desatendidas a temperatura alta. Los derrames provocan humo y derrames grasos que pueden encenderse. Caliente los aceites lentamente a temperatura baja o media.
- 2) Siempre encienda la campana cuando cocine a fuego alto o cuando flamee alimentos.
- 3) Limpie el ventilador de ventilación con frecuencia. No se permite que la grasa se acumule en el ventilador, los filtros o los conductos de escape.
- 4) Utilice una sartén del tamaño adecuado. Utilice siempre utensilios de cocina adecuados para el tamaño del elemento de superficie.

Seguridad

ADVERTENCIA

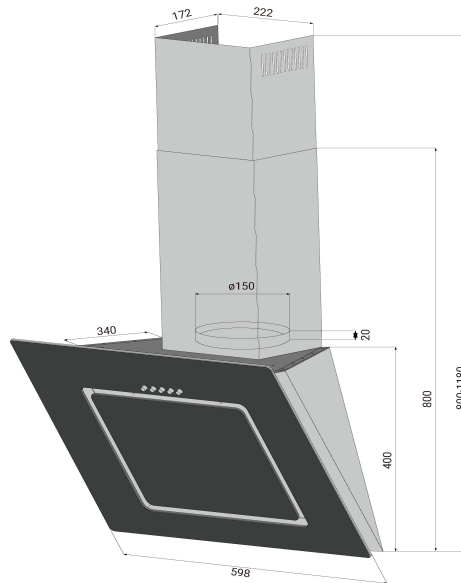
PARA REDUCIR EL RIESGO DE LESIONES A PERSONAS EN CASO DE UN INCENDIO DE GRASA EN UN ÁREA EXTENSA, OBSERVE LO SIGUIENTE*:

1. APLIQUE LAS LLAMAS con una tapa ajustada, una bandeja para hornear galletas o una bandeja de metal, luego apague el quemador. **TENGA CUIDADO PARA EVITAR QUEMADURAS. SI LAS LLAMAS NO SE APAGAN INMEDIATAMENTE, SE DEBE EVACUAR Y LLAMAR AL DEPARTAMENTO DE BOMBEROS.**
2. **NUNCA RECOGER UNA SARTÉN EN LLAMAS** - Puede quemarse.
3. **NO UTILICE AGUA**, incluidos paños de cocina o toallas mojados. - Esto podría provocar una violenta explosión de vapor.
4. Use un extintor **SÓLO** si:
 - a) Posee un extintor de Clase ABC y sabe cómo operarlo.
 - b) El incendio es pequeño y está controlado en el área donde se inició.
 - c) Se ha llamado al departamento de bomberos.
 - d) Puede combatir el fuego de espaldas a una salida.

PRECAUCIÓN

- Sólo para uso en interiores.
- Sólo para uso de ventilación general. No lo utilice para extraer materiales y vapores peligrosos o explosivos.
- Para evitar daños en los cojinetes del motor y paletas del ventilador ruidosas y/o desequilibradas, mantenga el aerosol para paneles de yeso, el polvo de construcción, etc. fuera de la campana extractora.
- El motor de su campana tiene una sobrecarga térmica que apagará automáticamente el motor si se sobrecalienta. El motor se reiniciará cuando se enfríe. Si el motor continúa apagándose y reiniciando, haga revisar la campana.
- Para una mejor captura de los vapores de cocción, la parte inferior de la campana **NO DEBE ESTAR A MENOS** de 18" y a un máximo de 24" por encima de la superficie de cocción.
- Siempre sigue los requisitos del fabricante del equipo de cocción con respecto a las necesidades de ventilación.
- Para reducir el riesgo de incendio y extraer el aire de manera adecuada, asegúrese de conducir el aire hacia el exterior: no extraiga el aire hacia espacios dentro de las paredes o el techo, o hacia los áticos, el espacio entre las escaleras o el garaje.
- Al instalar, reparar o limpiar este aparato, se recomienda usar gafas de seguridad y guantes.
- Lea la etiqueta de especificaciones en el producto para obtener más información y requisitos.

Especificaciones



Voltaje	220V-240V~ 50Hz
Potencia del motor	1 x 70W
Potencia de las lámparas	2 x 1W
Longitud del cable	1.5M
Dimensión del aparato	598*340*800~1180mm (W x D x H)
Nota: El fabricante se reserva el derecho de cambiar cualquier mejora o modificación tecnológica sin previo aviso.	

ES

Componentes

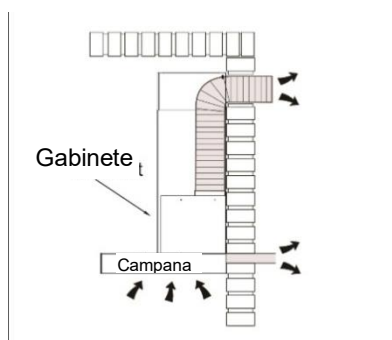
No.	Descripción	Cantidad	Dibujo	No.	Descripción	Cantidad	Dibujo
1	Enchufe de Pared	9		8	Soporte de Chimenea Inferior	1	
2	4*30mm Tornillos	9		9	Soporte de Chimenea Superior	1	
3	4*8mm Tornillos	6		10	Soporte de Pared	1	
4	Conducto Flexible de Aluminio	1		11	Manual de Instalación	1	
5	Sujetacables	2		12	Cuerpo de Campana	1	
6	Chimenea Decorativa Inferior	1		13	Chimenea Decorativa Superior	1	
7	Filtro de Carbón Activado	2					

Instalación

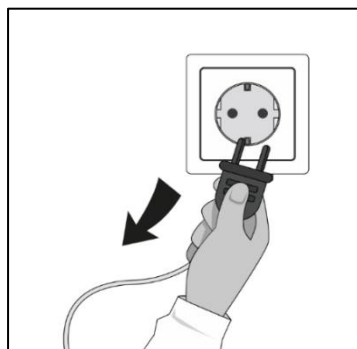
Preparación para la instalación:

- a) Si dispone de una salida al exterior, su campana extractora se puede conectar como en la imagen de abajo mediante un conducto de extracción (esmalte, aluminio, tubo flexible o material inflamable con un diámetro interior de 150 mm).

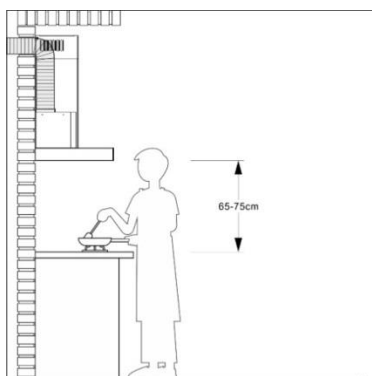
Elija un tramo de conducto corto y recto para permitir que la campana funcione de manera más eficiente. Los conductos largos, los codos y las transiciones reducirán el rendimiento de la campana. Utilice la menor cantidad posible de ellos. Cuando sea posible, utilice recorridos rectos de al menos 2 pies antes de cualquier giro. Es posible que se requieran conductos más grandes para obtener el mejor rendimiento con tramos de conductos más largos.



- b) Antes de la instalación, apague la unidad y desconéctela del tomacorriente.



- c) La campana extractora debe colocarse a una distancia de 65~75 cm por encima del plano de cocción para obtener el mejor efecto.



Herramientas Recomendadas para Instalación

- Cinta métrica
- Destornillador Phillips no. 2
- Destornillador de punta plana (para abrir orificios ciegos)
- Taladro, broca de 1/8 "y sierra de orificio de 1½" (para marcar orificios para conductos y cortar orificios de acceso eléctrico)
- Cuñas de madera (2) y tornillos para madera (4) (requeridos para la instalación estándar en un gabinete enmarcado)
- Sierra (para cortar orificios para aplicación en conductos)
- Cizallas metálicas para chapa (sólo para instalación con conductos, para ajuste de conductos)
- Alicates (sólo para instalación con conductos, para ajuste de conductos)
- Cinta adhesiva de lámina metálica (para aplicaciones con conductos)
- Tijeras (para cortar cinta adhesiva de lámina metálica)
- Lápiz
- Pelacables
- Alivio de tensión, 1/2 "de diámetro (para asegurar el cable de cableado de la casa a la campana)



PRECAUCIÓN: Antes de continuar con la instalación, verifique el contenido de la caja. Si faltan artículos o están dañados, comuníquese con el fabricante.

Observe todos los códigos y ordenanzas vigentes. Haga que un técnico calificado instale la campana extractora. Es responsabilidad del instalador cumplir con las distancias de instalación especificadas en la placa de identificación del modelo / número de serie. El fabricante declina toda responsabilidad por una instalación incorrecta y no acepta responsabilidad por la garantía del aparato en caso de daños causados por una instalación incorrecta.

Instalación

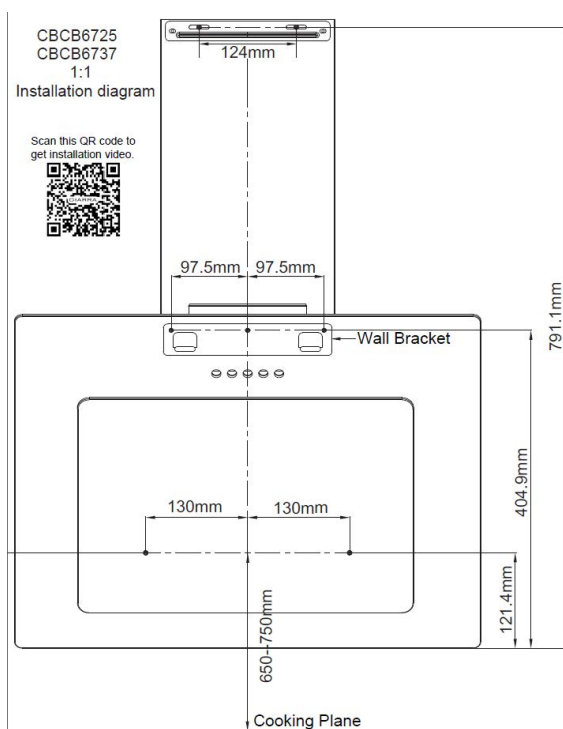


Atención: Observe la advertencia en la hoja de instrucciones sobre la operación del aparato cuando el aire se descarga de la habitación.

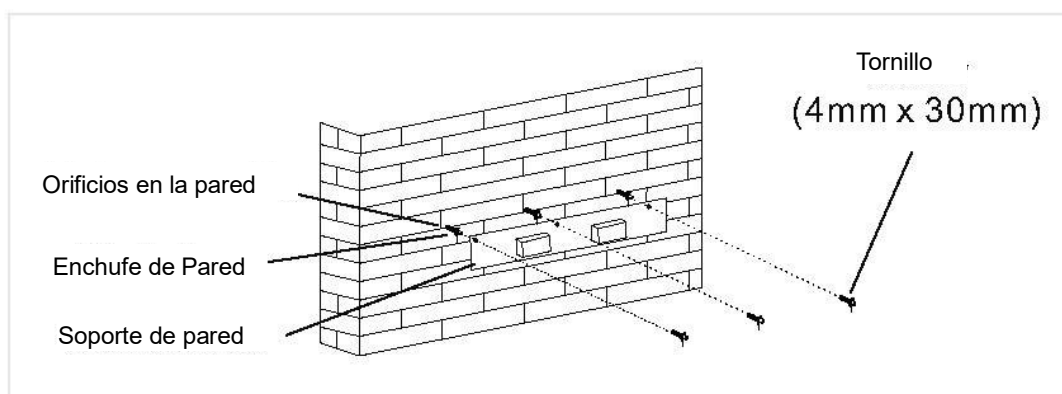
Cuando la campana extractora y el aparato alimentado con energía que no sea eléctrica están en funcionamiento simultáneamente, la presión negativa en la habitación no debe exceder los 4 Pa (4×10^{-5} Bar).

Instale la Campana (VENTILACIÓN AL EXTERIOR):

- 1) Si está presente, retire toda la película protectora de polietileno de la campana y/o partes.
- 2) A continuación se muestra el dibujo de instalación de la perforación de orificio:

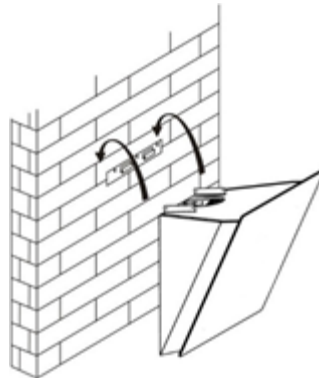


- 3) De acuerdo con el dibujo de orificios 1: 1, taladre los orificios 3*Ø8mm para acomodar el soporte. Atornille y apriete el soporte en la pared con los tornillos y enchufes de pared provistos.

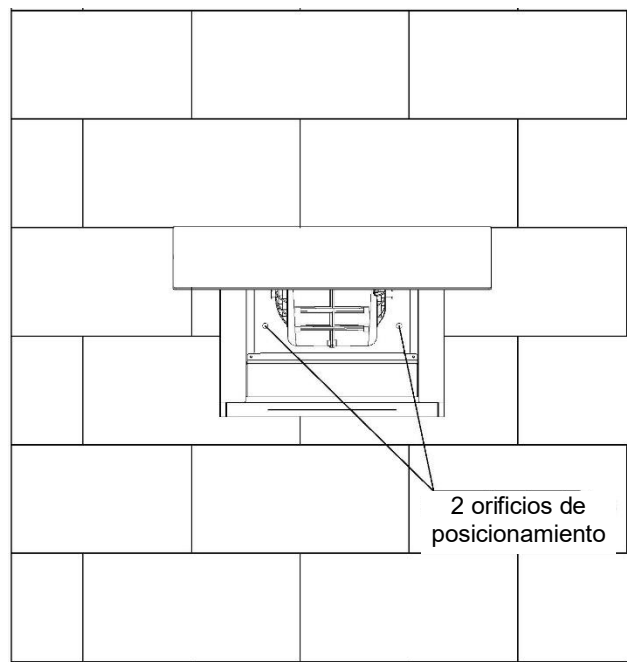
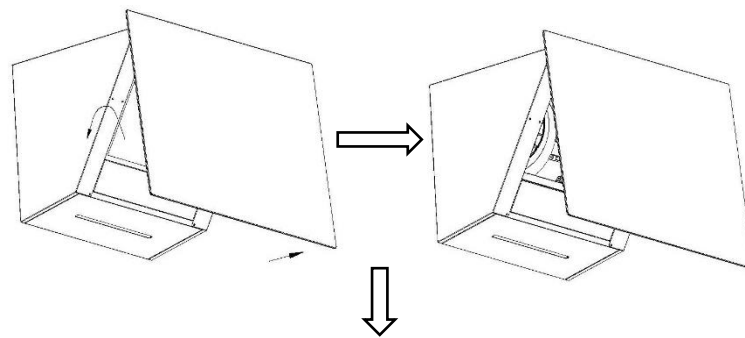


Instalación

- 4) Cuelgue la campana extractora en el soporte de pared.



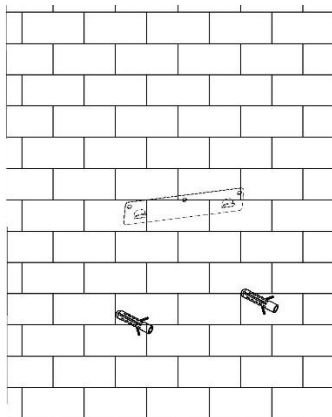
- 5) Abra el panel de vidrio, saque el filtro de grasa, busque los dos orificios de posicionamiento dentro de la caja en la figura, marque con bolígrafo respectivamente y luego retire la campana extractora.



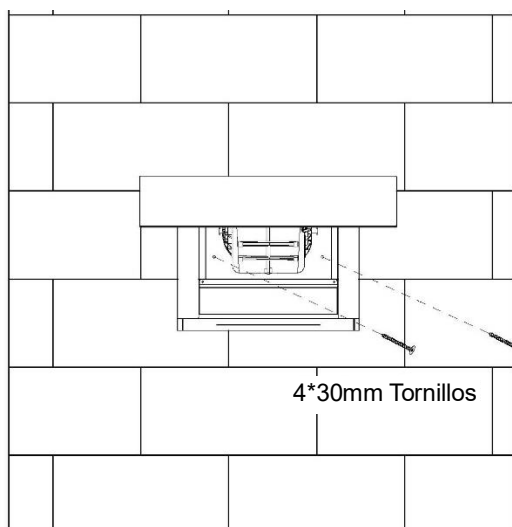
ES

Instalación

- 6) Taladre dos orificios de 8 mm en la posición marcada en la pared con un taladro eléctrico y luego coloque el enchufe de pared.



- 7) Vuelva a colgar la campana extractora en el soporte de pared. Después de eso, use dos tornillos de 4*30 mm para bloquear la posición correspondiente en la figura.

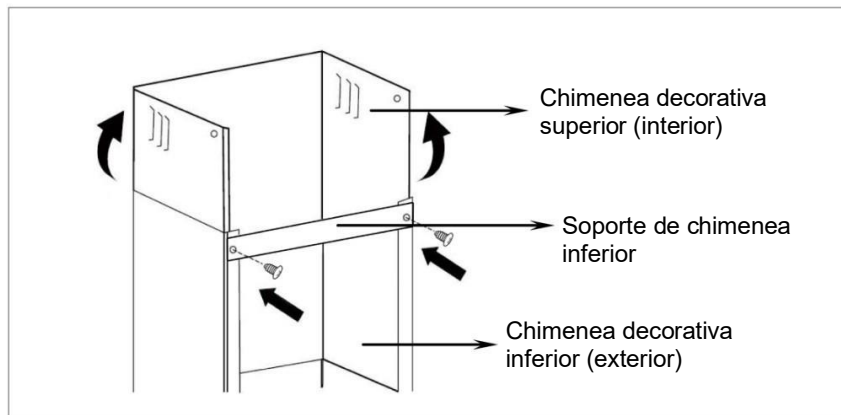


- 8) El soporte de chimenea inferior se utiliza para fijar la chimenea decorativa superior y la chimenea decorativa inferior.

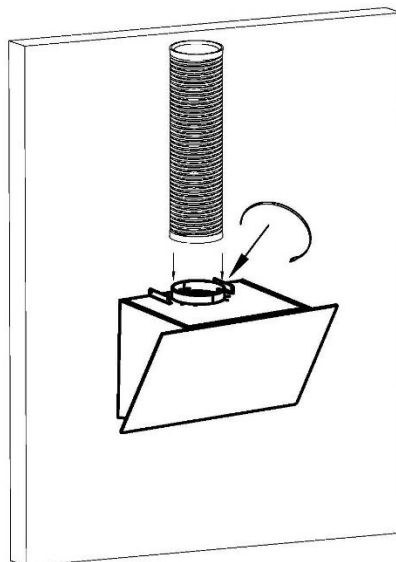
Utilice 2 piezas de tornillos ST4x8mm para unir las chimeneas superior e inferior. Antes de fijar el soporte a la chimenea, decida la ubicación de los orificios de fijación del soporte de chimenea inferior para fijar el soporte de chimenea inferior en el paso posterior.

No apriete demasiado los tornillos, asegúrese de que la chimenea decorativa superior se pueda ajustar telescópicamente después de ensamblar.

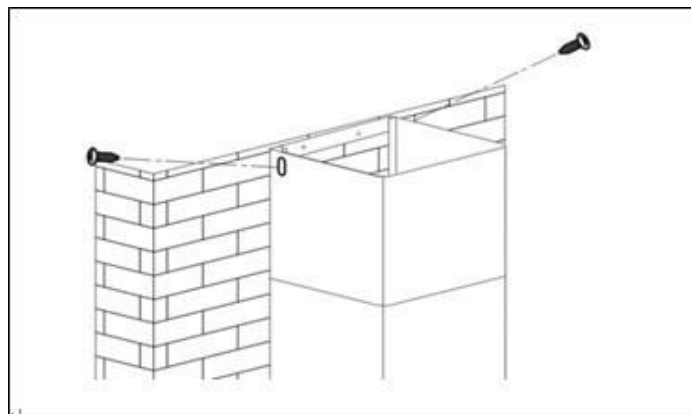
Instalación



- 9) Coloque el Tubo Flexible de Aluminio en la salida de aire de la campana extractora y fije el tubo con los Sujetacables.

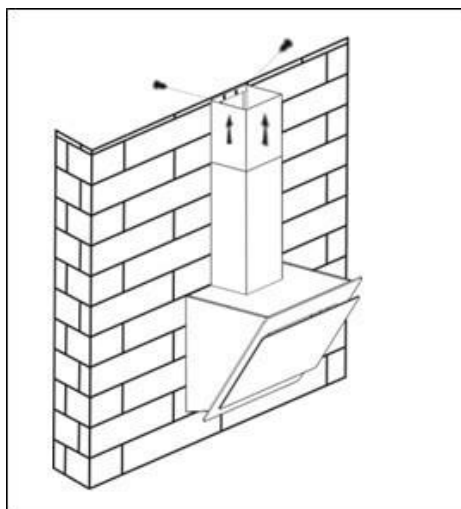


- 10) Coloque la chimenea sobre la campana extractora. Fije el soporte de chimenea inferior en la pared con 2 tornillos (4 mm x 30 mm).

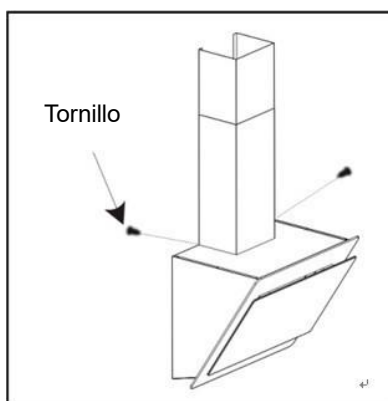


Instalación

- 11) Luego, extraiga la chimenea superior hacia arriba hasta la altura objetivo. Ajústela para alcanzar la altura requerida.
- 12) Fije la chimenea superior en el soporte de chimenea superior con 2 tornillos (4x8 mm). Luego fije el soporte de chimenea superior en la pared. Antes de fijar el soporte en la pared, puede decidir los orificios de fijación del soporte de chimenea superior para la instalación.



- 13) Fije la chimenea inferior con 2 piezas de tornillos ST4x8mm en la campana extractora.



NOTA:

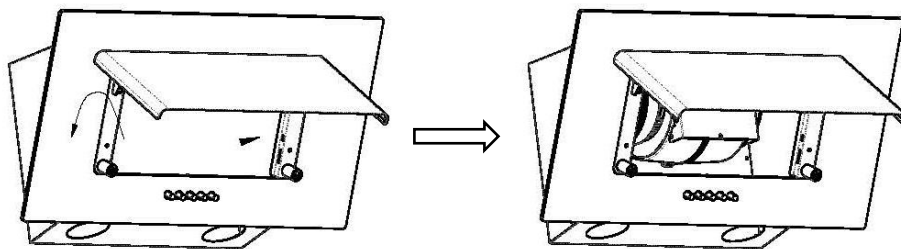
- Conecte la red de conductos a la campana y use cinta adhesiva de lámina metálica para hacer las juntas seguras y herméticas.
- Asegúrese de que el conjunto de compuerta (o la placa del conducto redondo) entre en la red de conductos y que la compuerta se abra y se cierre libremente.

Instalación

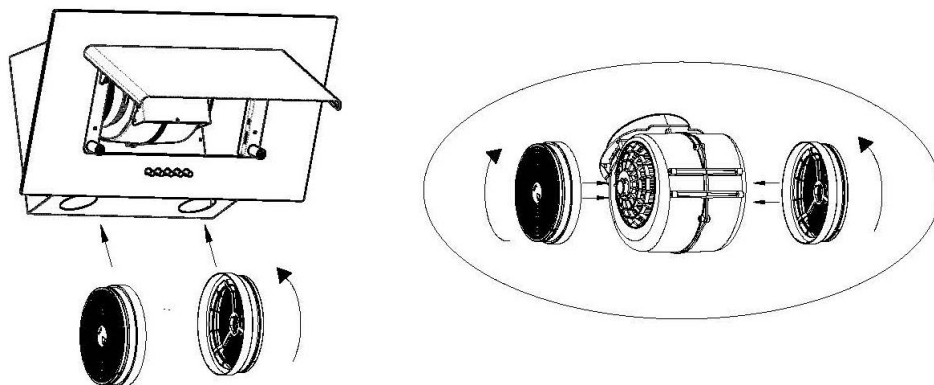
Instalación del Filtro de Carbón Activado (VENTILACIÓN AL INTERIOR):

Si no tiene una salida al exterior, no se requiere tubo de escape y la instalación es similar a la que se muestra en la sección "Instalación (Ventilación Al Exterior)"

1. Se puede usar un filtro de carbón activado para atrapar olores.
Para instalar el filtro de carbono activado, el filtro de grasa debe desprenderse primero (el panel delantero se abre en un ángulo $< 90^\circ$).
Presione el bloqueo y tire hacia abajo.



2. Enchufe el filtro de carbón activado en la unidad y gírelo en sentido horario.
Repita lo mismo en el otro lado.



3. Instale el filtro de grasa. Si lo reemplaza, gírelo en sentido antihorario.

NOTA:

- Asegúrese de que el filtro esté bloqueado de forma segura. De lo contrario, se aflojará y será peligroso.
- Cuando se coloca un filtro de carbón activado, la fuerza de succión será menor.
- El filtro de carbón activado debe cambiarse cada 3 meses dependiendo de las condiciones de uso.

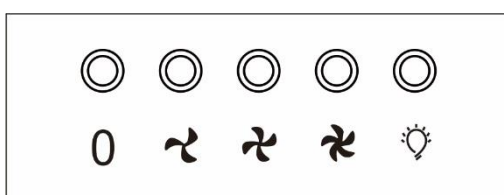
Operación

Siempre encienda la campana antes de comenzar a cocinar para establecer un flujo de aire en la cocina.

Deje que el ventilador funcione durante unos minutos para limpiar el aire después de apagar la estufa. Esto ayudará a mantener toda la cocina más limpia y fresca.

Pulsador / Botón electrónico

Opere la campana de la siguiente manera:



0 Botón de Apagado

Se usa para apagar el ventilador.

Botón de Baja Velocidad

Se utiliza para Ventilación en la cocina. Es apto para hervir y cocinar a fuego lento que no produzcan mucho vapor.

Botón de Velocidad Media

La velocidad del flujo de aire es ideal para la ventilación en la operación de cocción estándar.

Botón de Alta Velocidad

Cuando se produzca una alta densidad de humo o vapor, presione el botón de alta velocidad para una ventilación más efectiva.

Botón de Luz

Cuando las luces estén apagadas, presione una vez este botón para ENCENDER las luces. Presione este botón nuevamente para apagar las luces.

Limpieza y Mantenimiento

El mantenimiento adecuado de la Campana Extractora asegurará el funcionamiento adecuado del aparato.

MOTOR

El motor está permanentemente lubricado y nunca necesita lubricación. Si los cojinetes del motor hacen un ruido excesivo o anormal, reemplace el motor con el motor de servicio exacto. También se debe reemplazar la paleta del ventilador.

FILTROS DE GRASA

Los filtros de grasa deben limpiarse con frecuencia. Use una solución de detergente para vajillas tibia. Los filtros de grasa son aptos para lavavajillas. Limpie los filtros totalmente metálicos en el lavavajillas con un detergente sin fosfatos. La decoloración de los filtros puede ocurrir si usa detergentes de fosfato, o como resultado de las condiciones locales del agua, pero esto no afectará el rendimiento del filtro. Dicha decoloración no está cubierta por la garantía. Para minimizar o prevenir la decoloración, lave los filtros a mano con un detergente suave.

PALETA DEL VENTILADOR

La paleta del ventilador debe limpiarse con frecuencia. Use un paño limpio empapado con una solución de detergente tibia.

FILTRO DE CARBÓN ACTIVADO

El filtro de carbón activado debe cambiarse cada 3 meses dependiendo de las condiciones de uso. Reemplace con más frecuencia si su estilo de cocción genera grasa adicional, como al freír y cocinar al wok. Estos filtros no son lavables y no se pueden restaurar. Consulte las instrucciones de instalación proporcionadas con el filtro de carbón activado.

LIMPIEZA DE ACERO INOXIDABLE

Hacer lo siguiente:

- Lavar regularmente con un paño limpio o un trapo empapado en agua tibia y jabón suave o detergente para platos líquido.
- Limpiar siempre en la dirección de las líneas de pulido originales.
- Enjuagar siempre bien con agua limpia (2 o 3 veces) después de limpiar. Seque completamente.
- También puede utilizar un limpiador de acero inoxidable doméstico especializado.

Limpeza y Mantenimiento

No debe hacer lo siguiente:

- Utilizar lana de acero o acero inoxidable o cualquier otro raspador para eliminar la suciedad rebelde.
- Utilizar limpiadores fuertes o abrasivos.
- Dejar que se acumule la suciedad.
- Dejar que el polvo de yeso o cualquier otro residuo de construcción llegue a la campana. Durante la construcción/renovación, cubra la campana extractora para asegurarse de que no se adhiera polvo a la superficie de acero inoxidable.

Evite lo siguiente al elegir un detergente:

- Cualquier detergente que contenga **lejía** atacará el acero inoxidable.
- Cualquier producto que contenga: **cloruro, fluoruro, yoduro, bromuro** deteriorará las superficies rápidamente.
- Cualquier producto combustible usado para la limpieza, como **acetona, alcohol, éter, benzol**, etc., es altamente explosivo y nunca debe usarse cerca de una estufa.

LIMPIEZA DE ACABADO PINTADO:

Limpe con agua tibia y detergente suave solamente. Si se produce decoloración, use un pulidor de acabado como el pulimento para automóviles. (NO use un detergente abrasivo áspero o un detergente de porcelana).

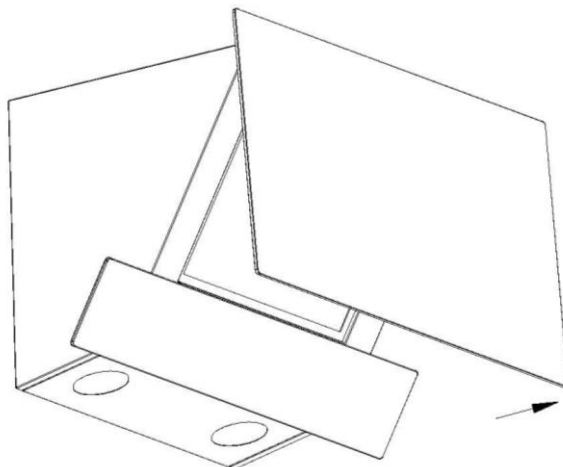
REEMPLAZAR LED

■ Lámpara LED Circular / Rectangular:

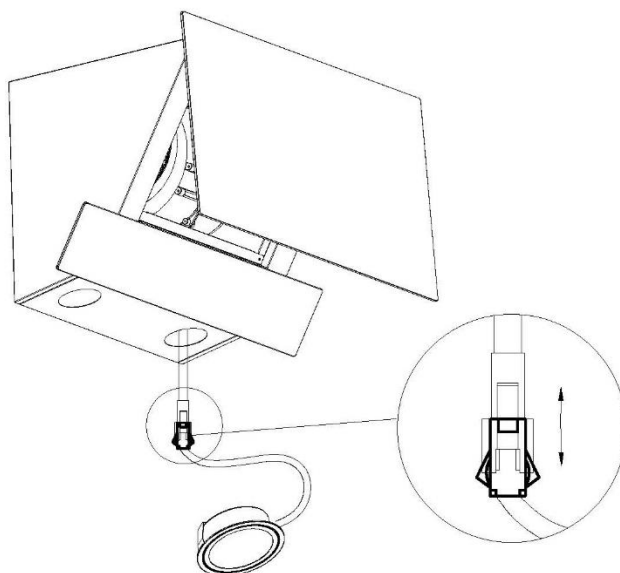


Limpieza y Mantenimiento

1. Si necesita reemplazar la lámpara LED, primero debe quitar el filtro de grasa. Presione el bloqueo y tire de él hacia abajo.



2. Empuje el portalámparas LED hacia afuera del gabinete con la mano, jale la lámpara LED y el cable juntos, abra la cubierta protectora de energía, saque el enchufe y reemplace la lámpara LED del modelo correspondiente.



PRECAUCIÓN:

Antes de limpiar o reparar y reemplazar los accesorios, asegúrese de apagar la energía antes de la operación, para evitar descargas eléctricas, daños al cuerpo humano e incluso evitar poner en peligro la seguridad de vida.

Solución de Problemas

Problema	Causa Posible	Solución
La campana extractora no funciona	Sin suministro eléctrico	Compruebe que el enchufe esté conectado y que el interruptor de alimentación principal esté encendido
Flujo de aire deficiente	Filtros de grasa obstruidos por grasa acumulada	Limpie los filtros de grasa y vuelva a instalarlos cuando estén secos
	Filtros de carbón obstruidos por grasa acumulada	Reemplace los filtros de carbón con juegos nuevos
La succión de humo de la campana no es efectiva	Ventilación inadecuada	Asegúrese de que la cocina esté lo suficientemente ventilada para permitir la entrada de aire fresco
	Los filtros de carbón no están instalados	Instale filtros de carbón para configurar en modo de recirculación
El motor está funcionando pero no hay flujo de aire	Escaso escape de aire	Póngase en contacto con el Servicio de Atención al Cliente de CIARRA
Sonido de zumbido	El objeto extraño puede estar en contacto con la paleta del ventilador	Póngase en contacto con el Servicio de Atención al Cliente de CIARRA
Las luces no funcionan	Las barras de luz se apagan	Reemplace la luz dañada
	La conexión de la barra de luz está suelta	Restablezca la conexión

Si el problema persiste después de las verificaciones anteriores, comuníquese con el Centro de Atención al Cliente de CIARRA para obtener ayuda.

Protección Ambiental

Los productos eléctricos residuales no se deben eliminar con la basura doméstica. Por favor, recicle en las instalaciones correspondientes. Consulte con su Autoridad local o minorista para obtener consejos de reciclaje.



Este aparato está marcado de acuerdo con la Directiva Europea 2012/19/EU sobre Residuos de Aparatos Eléctricos y Electrónicos (WEEE).

Si se asegura de que este producto se desecha correctamente, ayudará a prevenir posibles consecuencias negativas para el medio ambiente y la salud humana, que de otro modo podrían ser causadas por un manejo inadecuado de los desechos de este producto.

El símbolo en el producto indica que este producto no puede tratarse como basura doméstica. En su lugar, se entregará al punto de recogida correspondiente para el reciclaje de equipos eléctricos y electrónicos.

La disposición debe realizarse de acuerdo con las regulaciones ambientales locales para la disposición de desechos.

Para obtener información más detallada sobre el tratamiento, la recuperación y el reciclaje del producto, comuníquese con la oficina local de su ciudad, el servicio de disposición de desechos domésticos o la tienda donde compró el producto.

Geachte klanten:

Gefeliciteerd met de aankoop van deze apparaat. Deze handleiding is ontworpen om u alle benodigde HANDLEIDING te geven met betrekking tot de installatie, het gebruik en het onderhoud van het apparaat. Om het apparaat correct en veilig te laten werken, leest u deze handleiding zorgvuldig voor de installatie en het gebruik.

De fornuis kap gebruik van hoogwaardige materialen, en is gemaakt met een gestroomlijnd ontwerp. Uitgerust met grote elektrische motor en centrifugaal ventilator, het biedt ook een sterke zuigkracht, lage ruis bediening, anti-aanbak vefilter en eenvoudige montage-installatie.

Scan de QR-code om naar CIARRA Amazon Service toegang te krijgen als je vragen hebt.

E-mail: info@ciarra.store

Scan om contact op te nemen met CIARRA Amazon Service



UK



DE



FR



IT



ES



NL



SE

INHOUD

Veiligheid -----	98-99
Specificaties -----	100
Componenten -----	100
Installatie -----	101-108
Bereid je voor op de installatie-----	101
Aanbevolen gereedschappen voor installatie-----	102
Installeer de Kap-----	103-107
Activated Carbon Filter Installatie-----	108
Operatie -----	109
Reiniging en onderhoud -----	110-112
MOTOR	
VETFILTERS	
VENTILATORBLAD	
GEACTIVEERD KOOLSTOFFILTER	
ROESTVRIJ STAAL REINIGING	
GESCHILDERDE AFWERKING REINIGING:	
VERVANGING VAN DE LAMP	
Probleemoplossen -----	113
Milieubescherming -----	114

WAARSCHUWING

OM HET RISICO OP BRAND, ELEKTRISCHE SCHOKKEN OF LETSEL BIJ PERSONEN TE VERMINDEREN, MOET U HET VOLGENDE IN ACHT NEMEN:



- Gebruik dit apparaat alleen op de door de fabrikant beoogde manier. Als u vragen heeft, neem dan contact op met de fabrikant op het adres of telefoonnummer vermeld in de garantie. ...
- Schakel voor het onderhoud of reinigingssysteem het servicepaneel uit en vergrendel de service loskoppelingsmiddelen om te voorkomen dat de stroom per ongeluk wordt ingeschakeld. Wanneer de hulpverleningsmiddelen niet kunnen vergrendelen, bevestigt u een prominent waarschuwingsapparaat, zoals een tag, veilig aan het servicepaneel.
- Installatiewerkzaamheden en elektrische bedrading moeten door een gekwalificeerd persoon(en) uitvoeren overeenkomstig alle toepasselijke codes en normen, inclusief een constructie met brand.
- Er is voldoende lucht nodig voor een goede verbranding en uitputting van gassen door de schoorsteen (schoorsteen) van brandstofverbrandingsapparatuur om terugzetten te voorkomen.
- Beschadig de elektrische bedrading en andere verborgen nutsvoorzieningen niet bij het snijden of boren in de muur of het plafond.
- Kanaalventilatoren moeten altijd naar buiten worden afgevoerd.
- Gebruik dit apparaat niet met een extra solid-state snelheidsregeling.
- Deze eenheid moet aan de grond gronden.
- Indien de plaatselijke regelgeving restrictievere installatie- en/of certificeringsvereisten omvat, gelden de bovengenoemde eisen op die van dit document en stemt de installateur ermee in om hieraan op eigen kosten te voldoen.

OM HET RISICO VAN EEN TOSMEERBRAND IN HET TOPVET TE VERMINDEREN:



- 1) Laat nooit oppervlakte-eenheden onbeheerd achter bij hoge instellingen. Boilovers veroorzaken roken en vette spillovers die kunnen ontbranden. Verhit oliën langzaam op lage of gemiddelde instellingen.
- 2) Zet altijd capuchon op bij het koken op hoog vuur of bij het vlammen.
- 3) Reinig de ventilerende ventilator vaak. Vet mag zich niet ophopen op ventilator, filters of in uitlaatkanalen.
- 4) Gebruik de juiste pangrootte. Gebruik altijd kookgerei geschikt voor de grootte van het oppervlak element.

Veiligheid

WAARSCHUWING

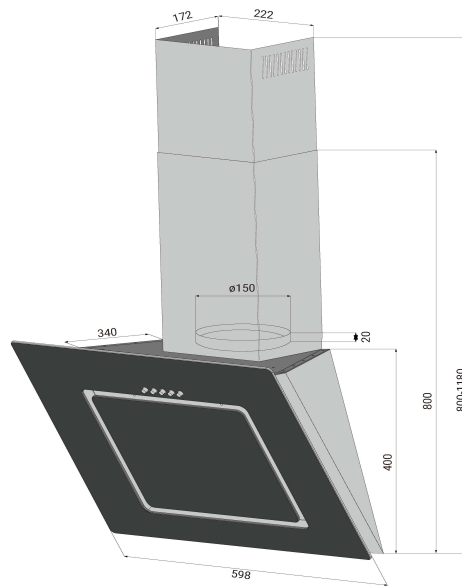
OM HET RISICO OP LETSEL AAN PERSONS TE VERMINDEREN IN GEVAL VAN EEN TOERENBRAND IN HET HOOGSTE VETBEREIK, MOET U HET VOLGENDE IN ACHT NEMEN*:

1. SMOTHER FLAMES met een nauwsluitend deksel, koekjesplaat of metalen lade, zet vervolgens de brander uit. WEES VOORZICHTIG OM BRANDWONDEN TE VOORKOMEN. ALS DE VLAMMEN NIET METEEN UITGAAN, EVACUEER DAN EN BEL DE BRANDWEER.
2. NOOIT PICK-UP EEN BRANDENDE PAN - U worden verbrand.
3. GEBRUIK GEEN WATER, inclusief natte vaatdoeken of handdoeken - Dit kan leiden tot een gewelddadige stoomexplosie.
4. Gebruik een brandblusser ALLEEN als:
 - a) Je hebt een Klasse ABC blusser en je weet hoe je het moet bedienen.
 - b) De brand is klein en bevindt zich in het gebied waar het begon.
 - c) De brandweer is opgeroepen.
 - d) Je het vuur met je rug naar een uitgang vechten.

OPGELET











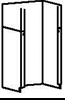


- Alleen voor gebruik binnenshuis.
- Alleen voor algemeen ventileren. Niet gebruiken om gevaarlijke of explosieve materialen en dampen uit te putten.
- Om schade aan motorlagers en luidruchtige en/of onevenwichtige ventilatorbladen te voorkomen, moet gipsplatenspray, bouwstof, enz.
- Uw kapmotor heeft een thermische overbelasting die de motor automatisch uitschakelt als deze oververhit raakt. De motor wordt opnieuw opgestart wanneer deze afkoelt. Als de motor blijft uitschakelen en opnieuw opstarten, laat de kap onderhouden.
- Voor het zo goed opvangen van kookdampen mag de bodem van de kap niet minder dan 18" en maximaal 24" boven het kookoppervlak liggen.
- Altijd voldoet aan de eisen van de fabrikant van de kookapparatuur met betrekking tot de ventilatie behoeften.
- Om het risico van brand te verminderen en om lucht goed uit te putten, moet u lucht buiten afbuigen - Uitlaat geen lucht in ruimten binnen muren of plafond of in zolders, kruipruimte of garage.
- Bij het installeren, onderhouden of reinigen van het apparaat is het raadzaam om een Veiligheid-bril en handschoenen te dragen.
- Lees het specificatielabel op het product voor meer informatie en vereisten.

Specificaties



Spanning	220V-240V~ 50Hz
Kracht van de motor	1 x 70W
Kracht van lampen	2 x 1W
Kabellengte	1.5M
Afmetingen apparaat	598*340*800~1180mm (W x D x H)
Opmerking: de fabrikant behoudt zich het recht voor om technologische verbeteringen of modificaties te wijzigen zonder voorafgaande kennisgeving.	

Componenten

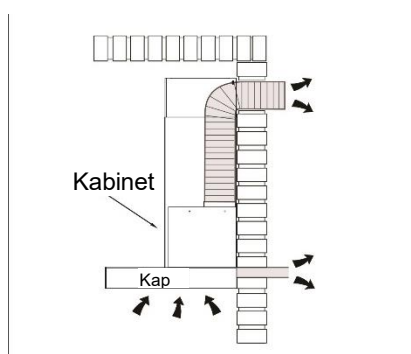
Nr.	Omschrijving	Aantal	Tekening	Nr.	Omschrijving	Aantal	Tekening
1	Muurplug	9		8	Onderste schoorsteenbeugel	1	
2	4 * 30 mm schroeven	9		9	Bovenste schoorsteenbeugel	1	
3	4 * 8mm schroeven	6		10	Muurbeugel	1	
4	Aluminium flexibele buis	1		11	Installatie handleiding	1	
5	Kabelbinders	2		12	Hood lichaam	1	
6	Lagere decoratieve schoorsteen	1		13	Bovenste decoratieve schoorsteen	1	
7	Actief koolstoffilter	2					

Installatie

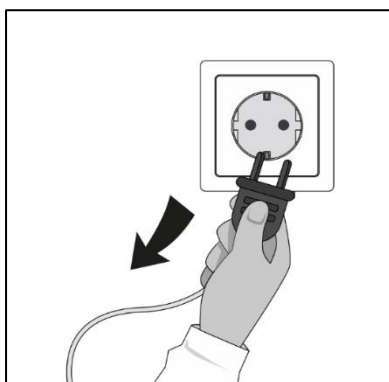
Bereid je voor op de installatie:

- a) Als u een stopcontact aan de buitenkant hebt, kan uw fornuiskap als onderstaand beeld aansloten door middel van een afzuigkanaal (email, aluminium, flexibele pijp of ontvlambaar materiaal met een binnendiameter van 150mm).

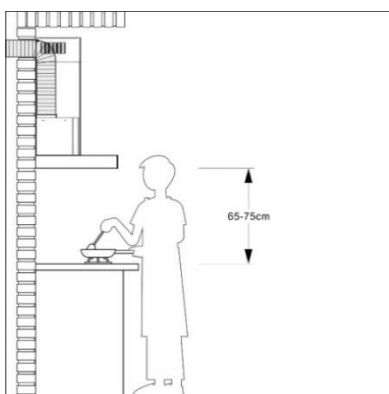
Kies een rechte, korte kanaal run om de kap het meest efficiënt uit te voeren. Lange kanaalopen, ellebogen en overgangen verminderen de prestaties van de kap. Gebruik zo weinig mogelijk van hen. Gebruik indien mogelijk minstens 2 voet rechte runs voor bochten. Grotere leidingen kunnen nodig zijn voor de beste prestaties met langere kanaal loopt.



- b) Schakel het apparaat voor de installatie uit en haal het uit het stopcontact.



- c) De fornuis kap moet op een afstand van 65 ~ 75cm boven het kookvlak plaatsen voor het beste effect.



Aanbevolen gereedschappen voor installatie

- Meetlint
- Phillips-schroevendraaier nr. 2
- Platte schroevendraaier (om uitbreekopeningen te openen)
- Boor, 1/8 "boor en 1½" gatenzaag (om gaten voor leidingen te markeren en een elektrisch toegangsgat te zagen)
- Houten vulplaatjes (2) en houtschroeven (4) (vereist voor standaardmontage op ingelijste kast)
- Zaag (om gaten te zagen voor toepassing in kanalen)
- Plaatschaar (alleen installatie via kanaal, voor aanpassing van het kanaal)
- Tang (alleen installatie via kanaal, voor aanpassing van het kanaal)
- Metaalfolie ducttape (voor geleide toepassingen)
- Schaar (om ducttape van metaalfolie te snijden)
- Potlood
- Draadstripper
- Trekontlasting, 1/2 "diameter (om de bedradingskabel van het huis aan de afzuigkap te bevestigen)



OPGELET: Controleer voordat u doorgaat naar de installatie de inhoud van het vakje. Als artikelen ontbreken of beschadigd zijn, neemt u contact op met de fabrikant.

Houd alle regels en verordeningen in acht. Laat een gekwalificeerde technicus de range hood installeren. Het is de verantwoordelijkheid van de installateur om te voldoen aan de installatieklaringen die zijn gespecificeerd op de model/seriële classificatieplaat. De fabrikant wijst alle verantwoordelijkheid voor een onjuiste installatie af en aanvaardt geen verantwoordelijkheid voor de garantie van het apparaat in geval van schade veroorzaakt door een onjuiste installatie.

Installatie

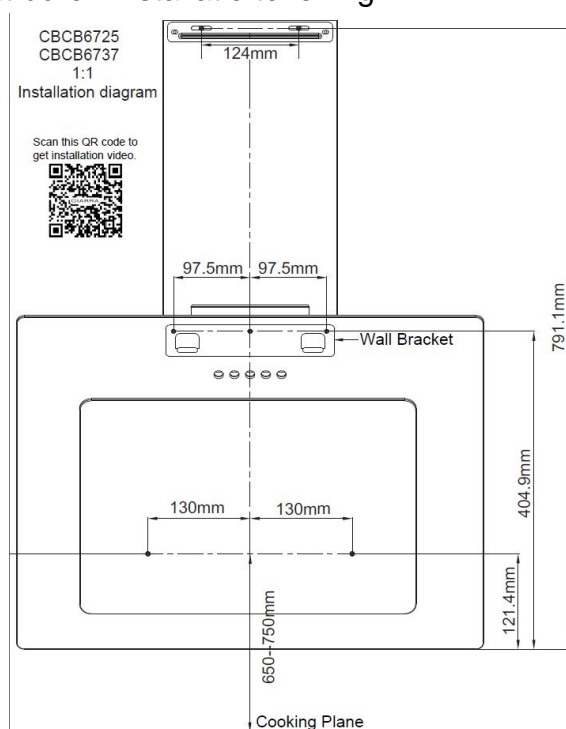


Opgelet: Observeer de WAARSCHUWING in het instructieblad met betrekking tot de werking van het apparaat wanneer lucht uit de ruimte wordt geloosd.

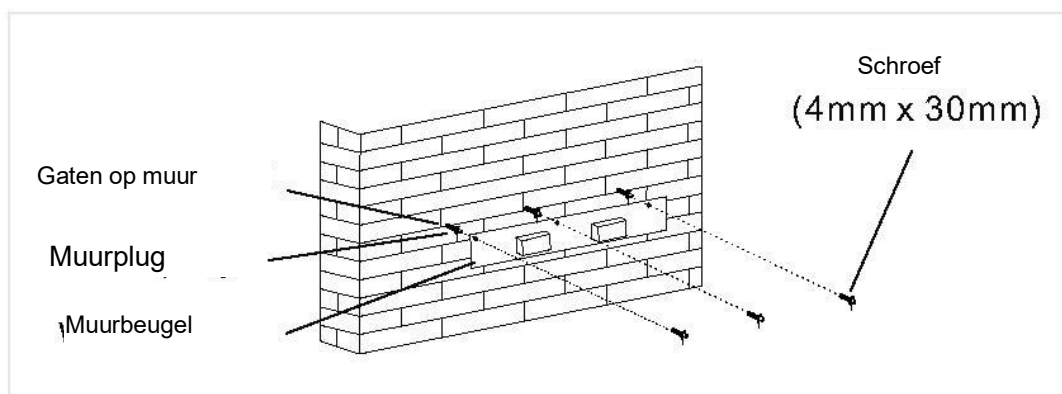
Wanneer de range hood en het apparaat dat van andere energie dan elektriciteit wordt geleverd gelijktijdig in bedrijf zijn, mag de negatieve druk in de ruimte niet hoger zijn dan 4 Pa (4×10^{-5} Bar).

Installeer de Kap (VENT OUTSIDE):

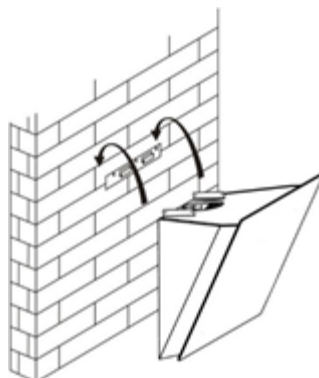
- 1) Indien aanwezig, verwijder alle beschermende poly film van de kap en / of onderdelen.
- 2) Hieronder is het gat boren installatie tekening:



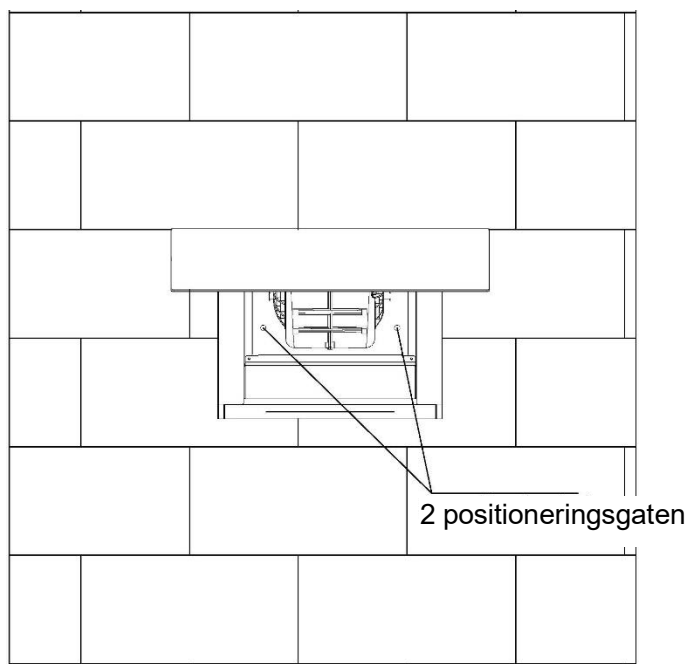
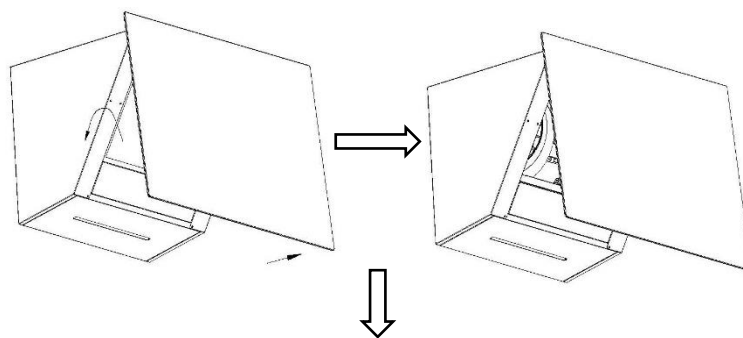
- 3) Volgens de 1:1 gat tekening, Boor 3 * Ø8mm gaten om de beugel tegemoet te komen. Schroef en draai de beugel aan de muur met de meegeleverde schroeven & wandpluggen.



- 4) Hang de afzuigkap aan de wandhouder.

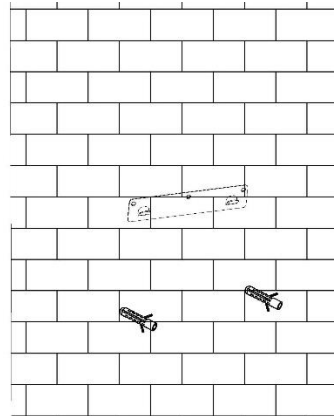


- 5) Open het glazen paneel, neem het vetfilter, vind de twee positioneringsgaten in de behuizing in de figuur, markeer respectievelijk met pen en haal vervolgens de kookkap naar beneden.

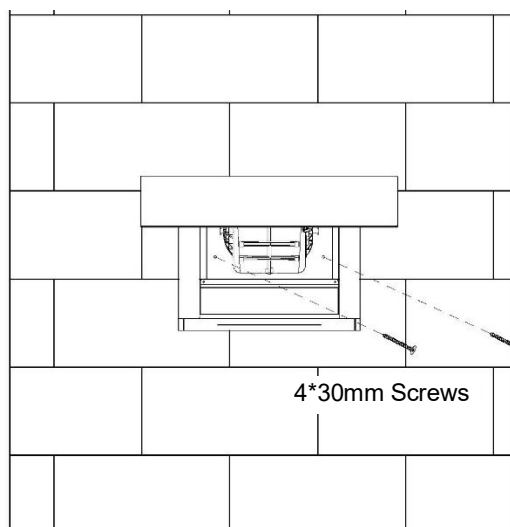


Installatie

- 6) Boor twee 8mm gaten in de gemarkeerde positie op de muur met een elektrische boor, en zet dan de muur plug in.



- 7) Hang de fornuiskap weer aan de muurbeugel. Daarna, gebruik maken van twee 4 * 30mm schroeven om de bijbehorende positionering in de figuur te vergrendelen.

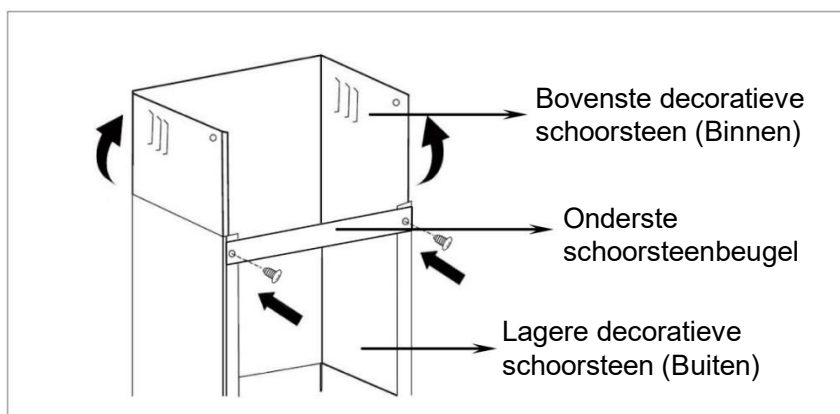


- 8) De onderste schoorsteenbeugel wordt gebruikt om de bovenste decoratieve schoorsteen en de onderste decoratieve schoorsteen te bevestigen.

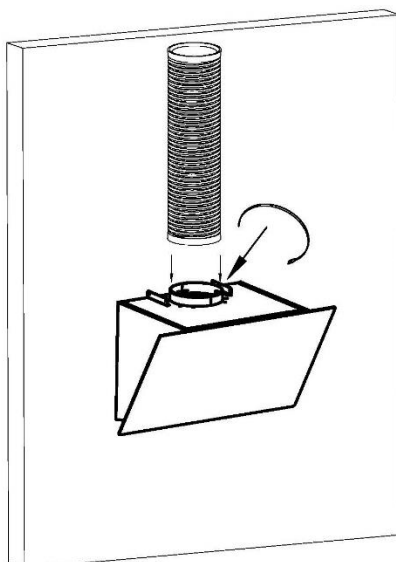
Gebruik 2pcs ST4x8mm schroeven om de onderste en bovenste schoorsteen aan elkaar te bevestigen. Voordat u de beugel aan de schoorsteen bevestigt, bepaalt u de locatie van de onderste schoorsteenbeugel die gaten bevestigt voor het bevestigen van de onderste schoorsteenbeugel in de latere stap.

Maak schroeven niet te veel vast, zorg ervoor dat de bovenste decoratieve schoorsteen telescopisch kan na montage aanpassen.

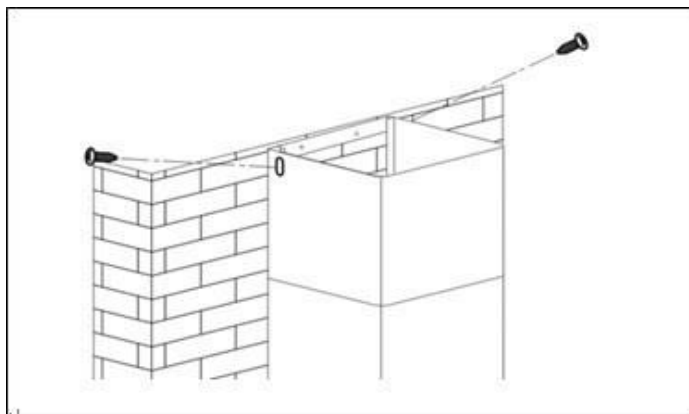
Installatie



- 9) Leg de Aluminium Flexibele Buis op de luchtuitleet van de kookkap en bevestig de buis met de kabelbinders.

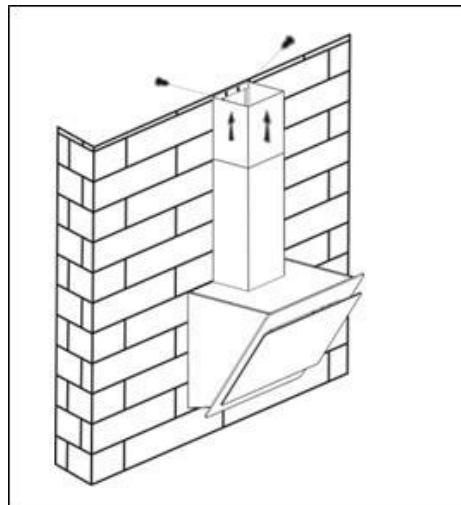


- 10) Zet de schoorsteen op de fornuis kap. Bevestig de onderste schoorsteenbeugel op de muur met 2 schroeven (4mm x30mm).

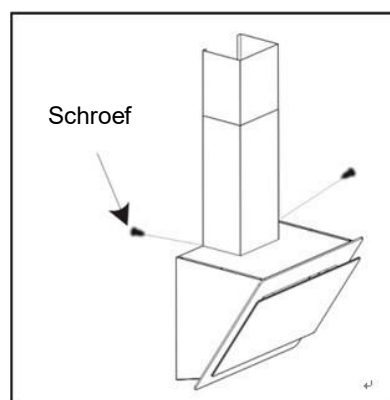


Installatie

- 11) Dan trekken uit de bovenste schoorsteen naar boven naar de doelhoogte. Pas aan om de vereiste hoogte te bereiken.
- 12) Bevestig de bovenste schoorsteen op de bovenste schoorsteenbeugel met 2 schroeven (4x8mm). Bevestig vervolgens de bovenste schoorsteenbeugel op de muur. Voordat u de beugel op de muur bevestigt, u de bovenste schoorsteenbeugel bevestigingsgaten voor Installatie bepalen.



- 13) Bevestig de onderste schoorsteen met 2 pc's st4x8mm schroeven op de fornuis kap.



Opmerking:

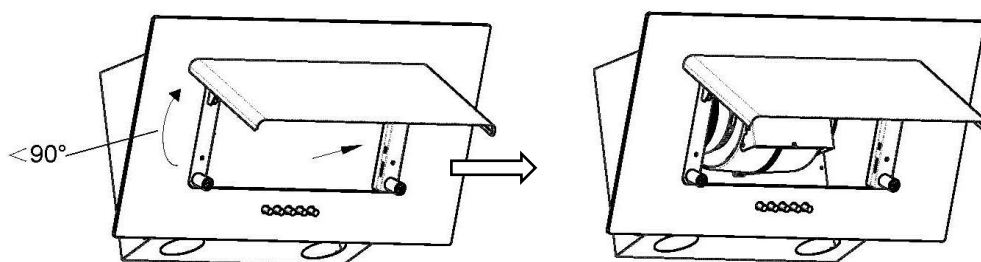
- Sluit leidingen aan op de kap en gebruik metalen folie duct tape om gewrichten veilig en luchtdicht te maken.
- Zorg ervoor dat de demper montage (of ronde buisplaat) in het leidingwerk komt en dat de demper opent en sluit vrij.

Installatie

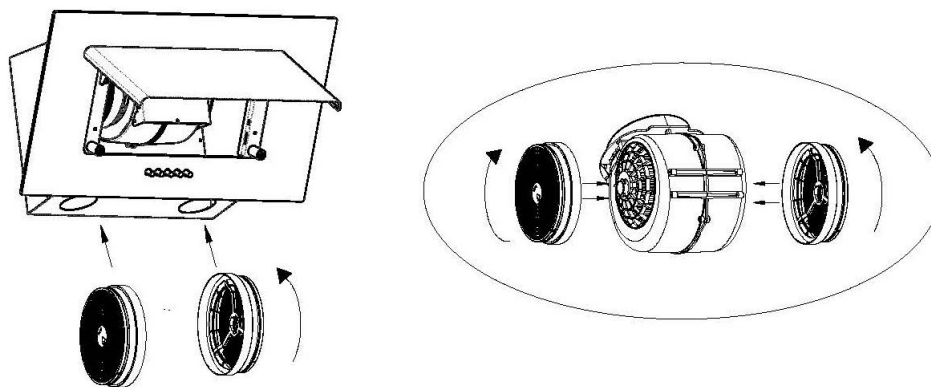
Activated Carbon Filter Installatie (VENT INSIDE) :

Als u geen uitlaat aan de buitenkant hebt, is de uitlaat niet nodig en is de Installatie vergelijkbaar met die in sectie "Installatie (Vent buiten)"

1. Activeed carbon filter kan gebruikt worden om geuren te vangen.
Om het actieve koolstoffilter te installeren, moet het vetfilter eerst losmaken (Het voorpaneel opent onder een hoek $< 90^\circ$). Druk op het slot en trek het naar beneden.



2. Sluit het actieve koolstoffilter aan op het apparaat en draai het met de klok mee in. Herhaal hetzelfde aan de andere kant.



3. Installeer het vetfilter. Als vervanging, draai het in tegen de klok in richting.

Opmerking:

- Controleer of het filter goed is vergrendeld. Anders zou het losraken en gevaarlijk veroorzaken.
- Wanneer geactiveerd koolstoffilter bevestigd, zal de zuigkracht lager zijn.
- Het actieve koolstoffilter moet elke 3 maanden vervangen, afhankelijk van de omstandigheden van ons.

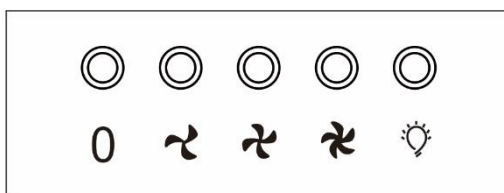
Operatie

Zet altijd je capuchon aan voordat je begint met koken om een luchtstroom in de keuken vast te stellen.

Laat de blower een paar minuten draaien om de lucht te klaren nadat u het bereik hebt uitgeschakeld. Dit zal helpen om de hele keuken schoner en frisser.

Drukknop/elektronische knop

Bedien de kap als volgt:



0 Knop Uit

Het wordt gebruikt voor het uitschakelen van de ventilator.

Knop Lage snelheid

Het wordt gebruikt voor ventilatie in de keuken. Het is geschikt voor het sudderen en koken die niet veel stoom te maken.

Knop Gemiddelde snelheid

Airflow snelheid is ideaal voor ventilatie in standaard koken Operatie.

Knop Hoge snelheid

Wanneer een hoge dichtheid van rook of stoom geproduceerd, druk op high-speed knop voor de hoogste effectieve ventilatie.

Lichtknop

Wanneer de lichten uit zijn, druk dan eenmaal op deze knop om de lichten aan te doen. Druk nogmaals op deze knop om de lichten uit te schakelen.

Reiniging en onderhoud

Goed onderhoud van de Range Hood zorgt voor de juiste prestaties van het apparaat.

MOTOR

De motor is permanent gesmeerd en hoeft nooit te smeren. Als de motorlagers overmatig of ongebruikelijk geluid maken, vervangt u de motor door de exacte servicemotor. Het ventilatorblad moet ook vervangen.

VETFILTERS

De vetfilters moeten regelmatig schoonmaken. Gebruik een warm afwasmiddel. Vetfilters zijn vaatwasmachinebestendig.

Reinig alle metalen filters in de vaatwasser met een fosfaatvrij afwasmiddel. Verkleuring van de filters kan optreden bij gebruik van fosfaatreinigers of als gevolg van plaatselijke wateromstandigheden, maar dit heeft geen invloed op de filterprestaties. Deze verkleuring valt niet onder de garantie. Om verkleuring te minimaliseren of te voorkomen, kunt u filters met de hand wassen met een mild wasmiddel.

VENTILATORBLAD

Het ventilatorblad moet regelmatig worden schoongemaakt. Gebruik een schone doek die is gedrenkt in een warm afwasmiddel.

GEACTIVEERD KOOLSTOFFILTER

Het actief koolfilter moet elke 3 maanden worden vervangen, afhankelijk van de gebruiksomstandigheden. Vervang vaker als uw kookstijl extra vet genereert, zoals frituren en wokken. Deze filters zijn niet wasbaar en kunnen niet worden hersteld. Raadpleeg de installatie-HANDLEIDING die bij het actief koolfilter worden geleverd.

ROESTVRIJ STAAL REINIGING

Doen:

- Was regelmatig met een schone doek of doek gedrenkt in warm water en milde zeep of vloeibaar afwasmiddel.
- Reinig altijd in de richting van originele poetslijntjes.
- Na reiniging altijd goed naspoelen met schoon water (2 of 3 keer). Volledig droogvegen.
- U kunt ook een speciale huishoudelijke reiniger voor roestvrij staal gebruiken.

Reiniging en onderhoud

Niet Doen:

- Gebruik staalwol of roestvrij staalwol of andere schrapers om hardnekkig vuil te verwijderen.
- Gebruik agressieve of schurende reinigingsmiddelen.
- Laat vuil zich ophopen.
- Laat gipsstof of andere constructieresten de kap bereiken. Dek de afzuigkap tijdens de bouw / renovatie af om er zeker van te zijn dat er geen stof aan het roestvrijstalen oppervlak blijft kleven.

Vermijd bij het kiezen van een wasmiddel:

- Alle reinigingsmiddelen die bleekmiddel bevatten, tasten roestvrij staal aan.
- Alle producten die: **chloride, fluoride, jodide, bromide bevatten**, zullen oppervlakken snel aantasten.
- Alle brandbare producten die voor het reinigen worden gebruikt, zoals aceton, alcohol, **ether, benzol** enz., Zijn zeer explosief en mogen nooit in de buurt van een bereik worden gebruikt.

GESCHILDERDE AFWERKING REINIGING:

Reinig alleen met warm water en een mild schoonmaakmiddel. Als er verkleuring optreedt, gebruik dan een aflak zoals autopolish. (Gebruik GEEN ruwe schuurmiddelen of porseleinreinigers.)

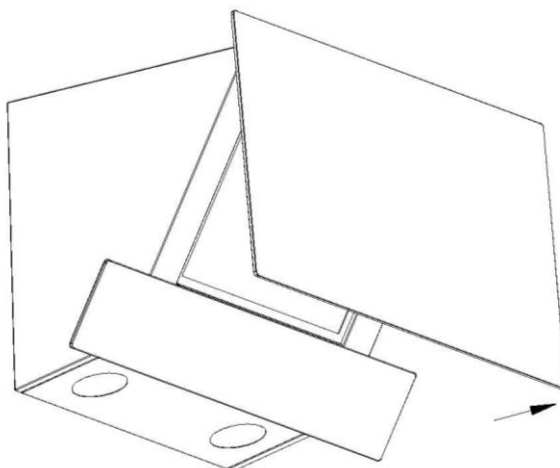
LED-VERVANGING

- **Cirkelvormige LED-lamp voor rechthoeken:**

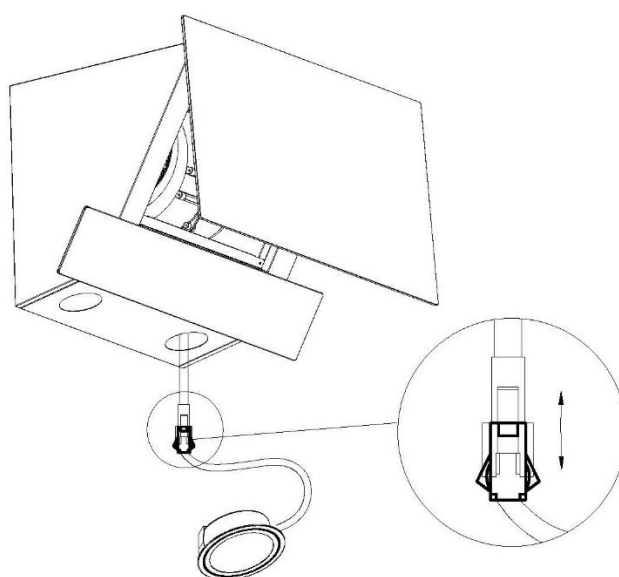


Reiniging en onderhoud

1. Als u de LED-lamp moet vervangen, moet het vefilter eerst losmaken. Druk op het slot en trek het naar beneden.



2. Duw de LED-lamphouder met de hand uit de kast, trek de LED-lamp en de draad samen, open de beschermklep, trek de stekker eruit en vervang de LED-lamp van het bijbehorende model.



VOORZICHTIGHEID:

Voordat u accessoires reinigt of repareert of vervangt, moet u de stroom uitschakelen voordat u het apparaat gebruikt, om elektrische schokken, schade aan het menselijk lichaam en zelfs de veiligheid van het leven te voorkomen!

Probleemoplossen

Probleem	Mogelijke oorzaak	Oplossing
Afzuigkap werkt niet	Geen elektrische voeding	Controleer of de stekker is aangesloten en of de hoofdschakelaar is ingeschakeld
Slechte luchtstroom	Vetfilters verstopt door vetophoping	Reinig de vetfilters en plaats ze terug als ze droog zijn
	Koolstoffilters verstopt door vetophoping	Vervang de koolstoffilters door nieuwe sets
De afzuiging van de afzuigkap is niet effectief	Onvoldoende ventilatie	Zorg ervoor dat de keuken voldoende geventileerd wordt om frisse lucht binnen te laten
	Koolstoffilters zijn niet geïnstalleerd	Installeer anti-geurfilters voor het instellen in luchtcirculatie
Motor draait maar geen luchtstroom	Slechte uitlaat	Neem contact op met de klantenservice van CIARRA
Snorrend geluid	Er kan een vreemd voorwerp in contact komen met het ventilatorblad	Neem contact op met de klantenservice van CIARRA
Lichten werken niet	Lichtbalken worden uitgeblazen	Vervang het beschadigde licht
	Lichtbalkverbinding zit los	Reset de verbinding

Als het probleem na bovenstaande controles aanhoudt, neem dan contact op met het CIARRA Customer Care Center voor hulp.

Milieubescherming

Afgedankte elektrische producten mogen niet worden verwijderd met huishoudelijk afval. Gelieve te recyclen waar faciliteiten bestaan. Neem contact op met uw gemeente of winkelier voor recyclingadvies.



Dit apparaat is gemarkeerd volgens de Europese richtlijn 2012/19/EU inzake afgedankte elektrische en elektronische apparatuur (AEEA).

Door ervoor te zorgen dat dit product correct wordt verwijderd, helpt u mogelijke negatieve gevolgen voor het milieu en de menselijke gezondheid te voorkomen, die anders zouden kunnen worden veroorzaakt door een onjuiste verwerking van dit product.

Het symbool op het product geeft aan dat dit product niet als huishoudelijk afval mag worden behandeld. In plaats daarvan wordt het overgedragen aan het toepasselijke inzamelpunt voor de recycling van elektrische en elektronische apparatuur.

De verwijdering moet worden uitgevoerd in overeenstemming met de plaatselijke milieuvorschriften voor de verwijdering van afval.

Voor meer gedetailleerde informatie over de behandeling, terugwinning en recycling van dit product u contact opnemen met uw plaatselijke stadskantoor, uw service voor het verwijderen van huishoudelijk afval of de winkel waar u het product hebt gekocht.

Kära kund:

Grattis till köpet av den här enheten. Denna bruksanvisning är utformad för att ge dig alla nödvändiga instruktioner relaterade till installation, användning och underhåll av apparaten. För att använda enheten korrekt och säkert, läs denna bruksanvisning noggrant innan installation och användning.

Köksfläkten använder högkvalitativa material och är tillverkad med en strömlinjeformad design. Utrustad med stor elmotor och centrifugalfläkt, ger den också stark sugkraft, låg ljudnivå, fettfri filter och enkel montering.

Skanna QR-koden för att få tillgång till kontakt med CIARRA Amazon Service om du har några frågor.

E-mail: info@ciarra.store

Skanna för att kontakta CIARRA Amazon Service



UK



DE



FR



IT



ES



NL



SE

INNEHÅLL

Säkerhet	117-118
Specifikationer	119
Komponenter	119
Installation	120-127
Förberedelse för installation	120
Rekommenderade verktyg för installation	121
Installation av köksfläkten	122-126
Installation av aktiverat kolfilter	127
Operation	128
Rengöring och underhåll	129-131
MOTOR	
FETTFILTER	
FLÄKTBLAD	
AKTIVERAD KOLFILTER	
RENGÖRING AV ROSTFRITT STÅL	
Undvik när du väljer rengöringsmedel:	
MÅLAD POLERINGSRENGÖRING:	
BYTE AV LED	
Felsökning	132
Miljöskydd	133

VARNING

FÖR ATT MINSKA RISKEN FÖR BRAND, ELEKTRISKT STÖT ELLER SKADA PÅ PERSONER, OBSERVERA FÖLJANDE:



- Använd endast denna enhet på det sätt som tillverkaren avser. Om du har frågor, kontakta tillverkaren på adressen eller telefonnumret som anges i garantin.
- Stäng av strömmen på panelen och lås avkopplingsmedlen innan du servar eller rengör enheten för att förhindra att ström slås på av misstag. När avkopplingsmedlen inte kan låsas, säkert fäst en framträdande varningsenhet, till exempel en tagg, på panelen.
- Installationsarbeten och elektriska ledningar måste utföras av en kvalificerad person i enlighet med alla tillämpliga koder och standarder, inklusive brandklassad konstruktion.



- Tillräcklig luft behövs för korrekt förbränning och uttömning av gaser genom rökgasröret (skorstenen) för bränsleförbränningsutrustning för att förhindra dragning från ryggen.
- När du skär eller borrar i vägg eller tak får du inte skada elektriska ledningar och andra dolda verktyg.
- Kanalfläktar måste alltid ventileras utomhus.
- Använd inte denna enhet med någon extra halvledarhastighetsstyrenhet.
- Denna enhet måste vara jordad.
- När tillämpliga lokala föreskrifter innehåller mer restriktiva krav på installation och/eller certifiering har ovan nämnda krav företräde framför kraven i detta dokument och installatören samtycker till att följa dessa på egen bekostnad.

FÖR ATT MINSKA RISKEN FÖR FETTFÖRBRÄNNING INOM ETT BRETT SPEKTRUM:



- 1) Lämna aldrig ytelementet utan uppsikt vid höga inställningar. Kokovnen orsakar rökning och fettiga spillover som kan antändas. Värm oljor långsamt på låga eller medelstora inställningar.
- 2) Sätt alltid PÅ köksfläkten när du lagar mat på hög värme eller när du flammar mat.
- 3) Rengör fläkten ofta. Fett bör inte samlas på fläkt, filter eller i avgaskanaler.
- 4) Använd kokkärl av rätt storlek. Använd alltid köksredskap som är lämpliga för ytelementets storlek.

Säkerhet

VARNING

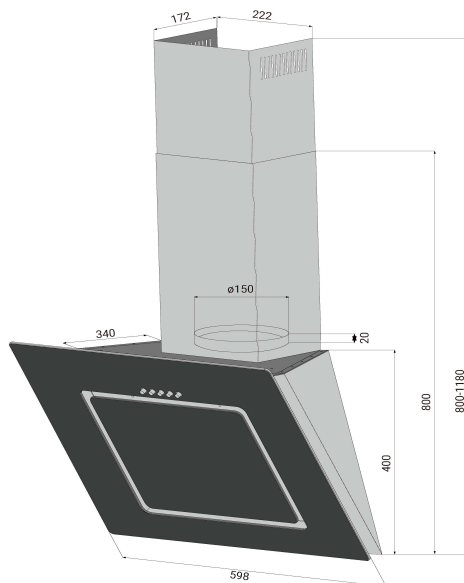
FÖR ATT MINSKA RISKEN FÖR SKADOR FÖR PERSONER I HÄNDELSEN AV FETTFÖRBRÄNNING INOM ETT BRETT SPEKTRUM, IAKTTAGA FÖLJANDE *:

1. SMIDARFLAMMAR med ett tätt lock, kakplåt eller metallbricka och stäng sedan av brännaren. VAR FÖRSIKTIG MED ATT FÖREBYGGA BRÄNSKADOR. OM FLAMMARNÄ INTE STÄNGER UT OMEDELBART, EVAKUERAR OCH RINGER BRANDKÅREN.
2. HÄMTA ALDRIG EN FLAMMANDE PANN - Du kan bli bränd.
3. ANVÄND INTE VATTEN, inklusive våta disktrasor eller handdukar - Detta kan orsaka en våldsam ångexplosion.
4. Använd ENDAST brandsläckare om:
 - a) Du har en Class ABC-brandsläckare och du vet hur du använder den.
 - b) Branden är liten och är begränsad i det område där den startade.
 - c) Brandkåren har kallats.
 - d) Du kan bekämpa branden med ryggen till en utgång.

FÖRSIKTIGHET

- Endast för inomhusbruk.
- Endast för allmän ventilation. Använd inte för att avgaser farliga eller explosiva material och ångor.
- För att undvika skador på motorlager och bullriga och/eller obalanserade fläktblad, håll gipsväggsspray, konstruktionsdamm osv. utom räckhåll för köksfläkten.
- Köksfläktsmotorn har en termisk överbelastning som automatiskt stänger av motorn om den blir överhettad. Motorn startar om när den svalnar. Om motorn fortsätter att stänga av och starta om, låt köksfläkten underhållas.
- Följ alltid kraven från tillverkaren av matlagingsutrustningen angående ventilationsbehovet.
- För att minska risken för brand och för att tömma luften ut ordentligt, var noga med att leda luften utomhus - Töm inte luften ut i utrymmen inom väggar eller tak eller på vindar, kryputrymme eller garage.
- Vid installation, service eller rengöring av enheten, rekommenderar vi att du använder skyddsglasögon och handskar.
- Läs specifikationsetiketten på produkten för mer information och krav.

Specifikationer



Spänning	220V-240V~ 50Hz
Motorns kraft	1 x 70W
Lampans kraft	2 x 1W
Kabellängd	1,5M
Apparatens dimension	598*340*800~1180mm (B x D x H)
Anmärkningar: Tillverkaren förbehåller sig rätten att ändra tekniska förbättringar eller modifieringar utan föregående meddelande.	

SE

Komponenter

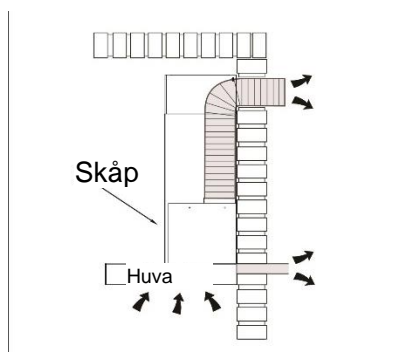
Nr.	Beskrivning	Stk	Teckning	Nr.	Beskrivning	Stk	Teckning
1	Vägg plugg	9		8	Nedre skorstensfäste	1	
2	4*30 mm Skruvar	9		9	Övre skorstensfäste	1	
3	4*8 mm Skruvar	6		10	Väggfäste	1	
4	Aluminium flexibelt rör	1		11	Installationsanvisning	1	
5	Kabelbindare	2		12	Bakfästet	1	
6	Nedre dekorativa skorstenen	1		13	Övre dekorativa skorstenen	1	
7	Aktivt kolfilter	2					

Installation

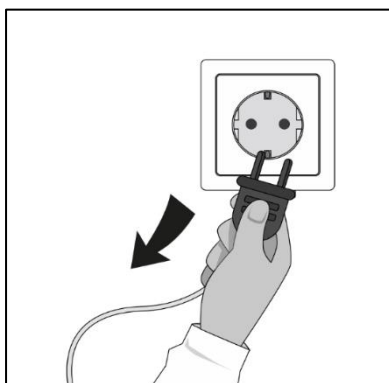
Förberedelse för installation:

- a) Om du har ett utlopp på utsidan kan din köksfläkt anslutas enligt bilden nedan med hjälp av en utsugskanal (emalj, aluminium, flexibelt rör eller brännbart material med en innerdiameter på 150 mm).

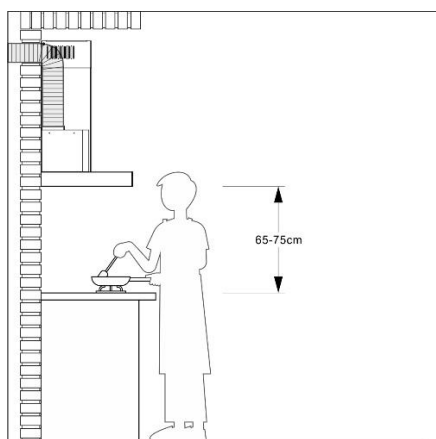
Välj en rak, kort kanalkörning så att köksfläkten kan presterast mest effektivt. Långa kanalkörningar, armbågar och övergångar minskar köksfläktens prestanda. Använd så få av dem som möjligt. Om möjligt, använd minst två fot raka körningar före några svängar. Större kanaler kan krävas för bästa prestanda med längre kanalkörningar.



- b) Stäng av enheten och koppla bort den från elkontakten före installationen.



- c) Köksfläkten ska placeras på ett avstånd av 65-75 cm över tillagningsytan för bästa effekt.



Rekommenderade verktyg för installation

- Måttband
- Phillips skruvmejsel nr. 2
- Platt skruvmejsel (för att öppna utslagshål)
- Borr, 1/8" borrhålskrona och 1½" hålsåg (för att markera hål för kanaler och kapa elektrisk åtkomsthål)
- Träplattor (2) och träskruvar (4) (krävs för standardinstallation i inramat skåp)
- Såg (för att kapa hål för kanaliserad applikation)
- Saksar av plåt (endast kanalinstallation, för kanaljustering)
- Tång (endast kanalinstallation, för kanaljustering)
- Kanalband av metallfolie (för kanaliserad applikation)
- Sax (för att klippa kanalband av metallfolie)
- Blyertspenna
- Tråдавdragare
- Dragavlastning, 1/2" diameter (för att säkra husledningskabeln till köksfläkten)



FÖRSIKTIGHET: Innan du fortsätter till installationen, kontrollera innehållet i rutan. Kontakta tillverkaren om några föremål saknas eller är skadade.

Observera alla styrande koder och förordningar. Låt en kvalificerad tekniker installera köksfläkten. Det är installatörens ansvar att följa installationsavstånd som anges på modell-/serienummertypskylten. Tillverkaren avvisar allt ansvar för felaktig installation och tar inte ansvar för apparatgarantin i händelse av skada orsakad av felaktig installation.

Installation

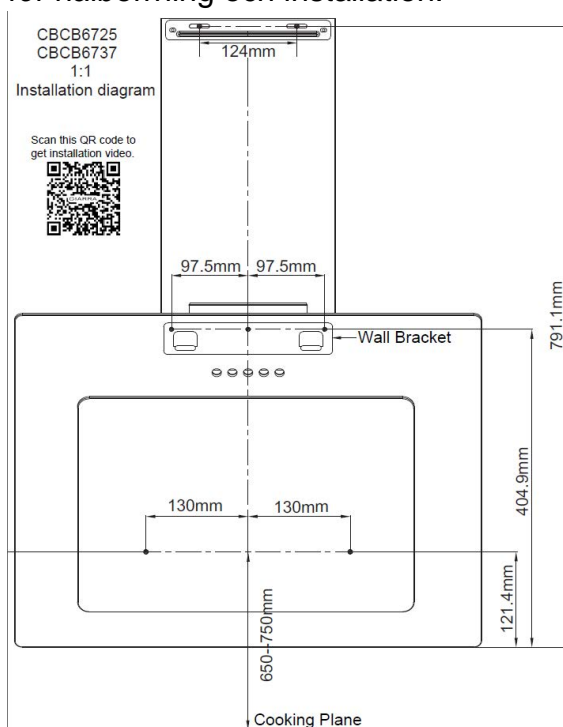


Uppmärksamhet: Följ varningen i bruksanvisningen angående operationen av apparaten när luft släpps ut ur rummet.

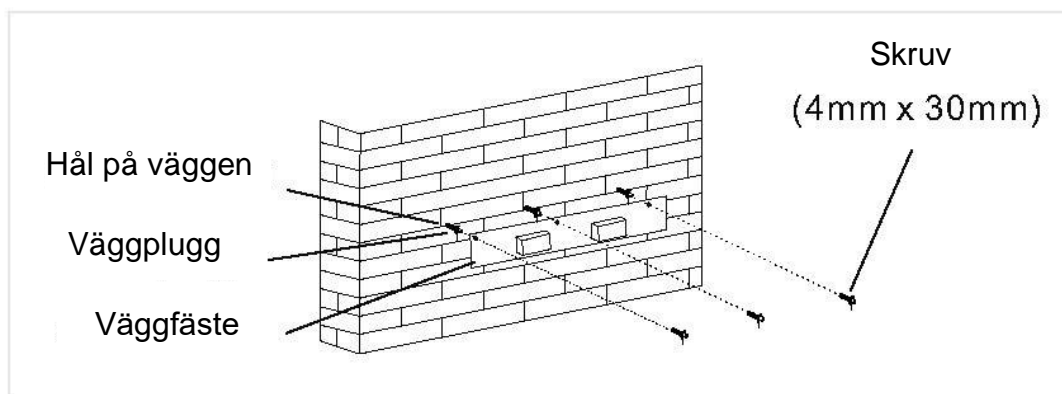
När köksfläkten och apparaten som förses med annan energi än elektricitet samtidigt är i drift får undertrycket i rummet inte överstiga 4 Pa (4×10^{-5} Bar).

Installation av köksfläkten (VENT UTÅT):

- 1) Ta bort all skyddande polyfilm från köksfläkten och/eller delarna om den finns.
- 2) Nedan är ritningen för hålbörning och installation:

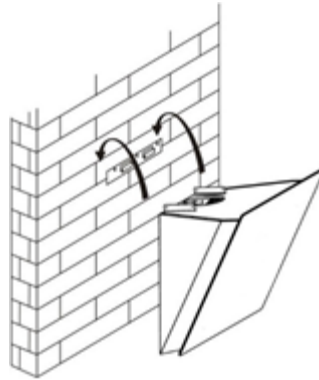


- 3) Som visas på 1:1-hålsritning, borra 3*Ø8mm-hål för att rymma fästet. Skruva fast och dra åt fästet på väggen med de medföljande skruvarna och väggpluggarna.

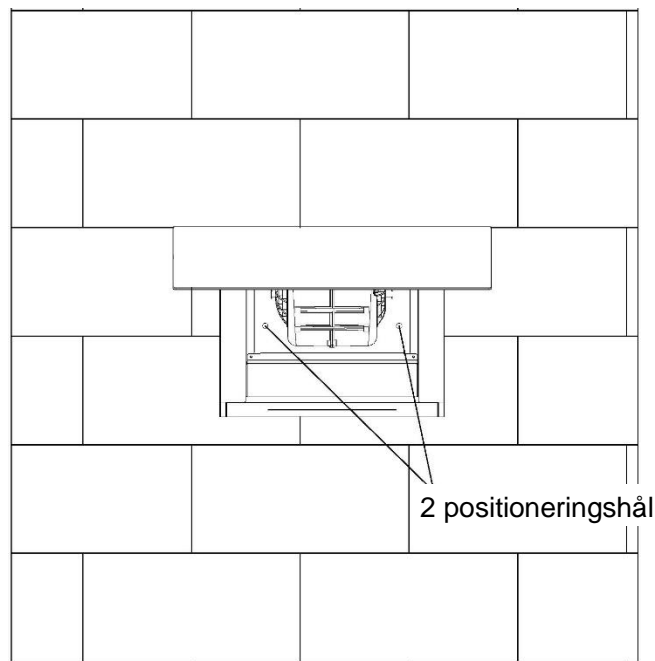
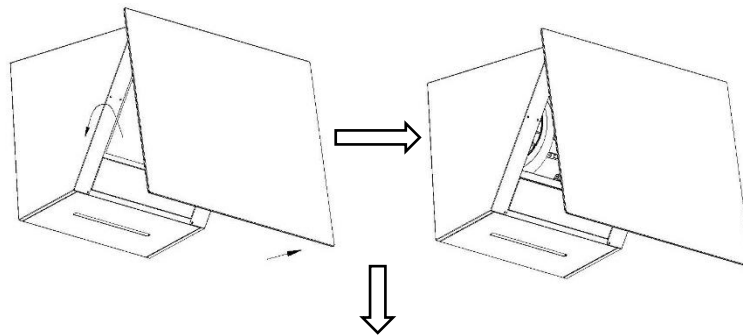


Installation

- 4) Häng köksfläkten till väggfästet.



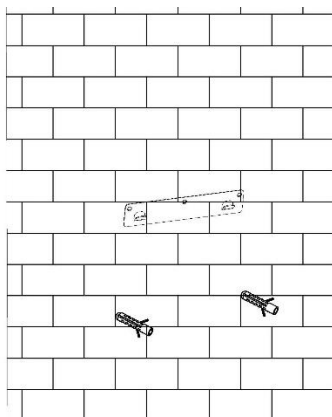
- 5) Öppna glaspanelen, ta ut fettfiltret, hitta de två positioneringshål inuti höljet i figuren, markera med penna respektive och ta sedan ner huven.



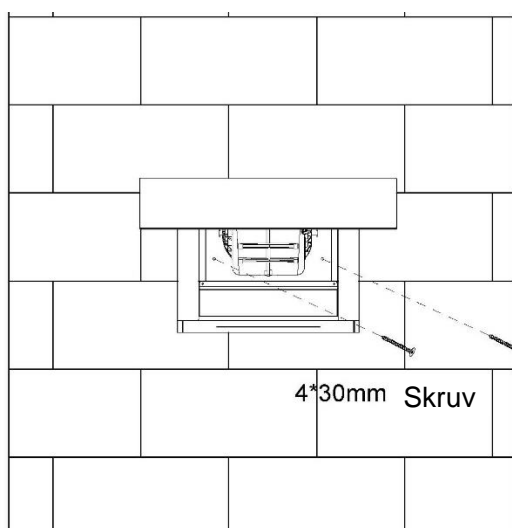
SE

Installation

- 6) Borra två 8 mm hål i markerad placering på väggen med en elektrisk borrar och sätt sedan i väggpluggarna.



- 7) Häng köksfläkten på väggfästet igen. Använd sedan två 4 * 30 mm skruvar för att låsa motsvarande positionering i figuren.

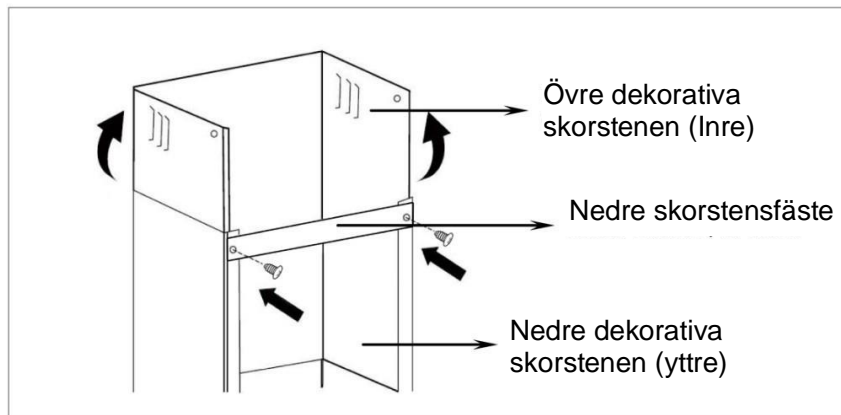


- 8) Det nedre skorstensfästet används för att fixera den övre dekorativa skorstenen och den nedre dekorativa skorstenen.

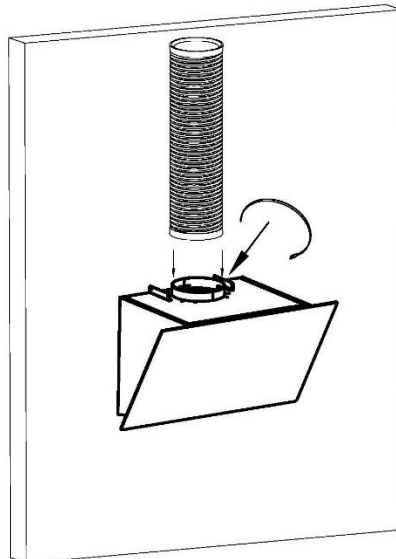
Använd 2 st ST4x8mm skruvar för att fästa ihop de nedre och övre skorstenarna. Innan du fäster skorstensfästet ska du bestämma placeringen av fästhål för det nedre skorstensfästet för att fästa det nedre skorstensfästet i det senare steget.

Fäst inte skruvarna för mycket, och se till att den övre dekorativa skorstenen kan justeras teleskopiskt efter montering.

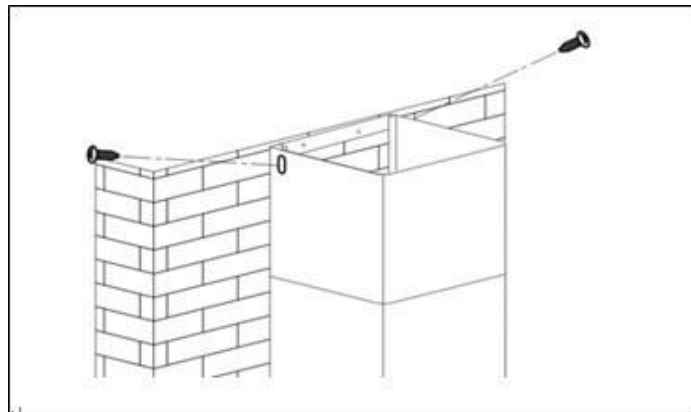
Installation



- 9) Placera Aluminium flexibelt röret på luftuttaget på köksfläkten och fäst röret med kabelbindarna.

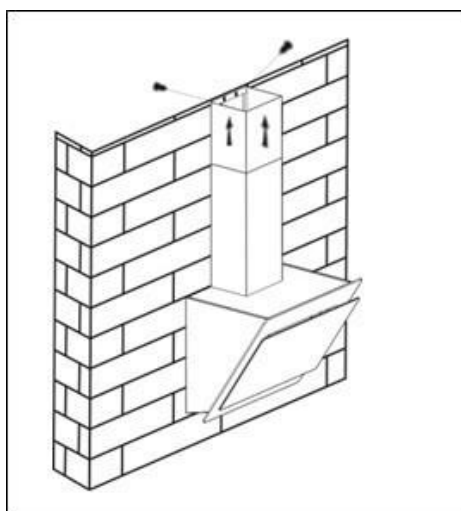


- 10) Lägg skorstenen på köksfläkten. Fäst det nedre skorstensfästet på väggen med två skruvar (4 mm x 30 mm).

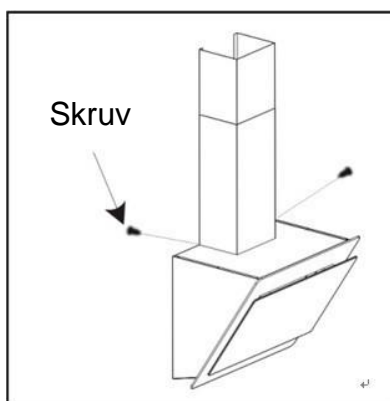


Installation

- 11) Dra sedan ut den övre skorstenen uppåt och justera för att nå önskad höjd.
- 12) Fäst den övre skorstenen på det övre skorstensfästet med två skruvar (4x8mm). Fäst sedan det övre skorstensfästet på väggen. Innan du fäster fästet på väggen kan du bestämma placeringen av fästhål för det övre skorstensfästet för installation.



- 13) Fäst den nedre skorstenen med 2 st ST4x8mm skruvar på köksfläkten.



ANMÄRKNINGAR:

- Anslut kanalen till köksfläkten och använd kanalband av metallfolie för att fästa det och lufttätt.
- Se till att spjällaggregatet (eller den runda kanalplattan) kommer in i kanalen och att spjället kan öppnas och stängas fritt.

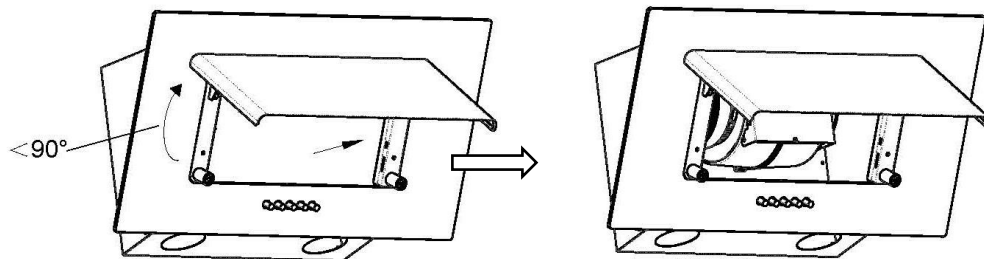
Installation

Installation av aktiverat kolfilter (VENT INÅT) :

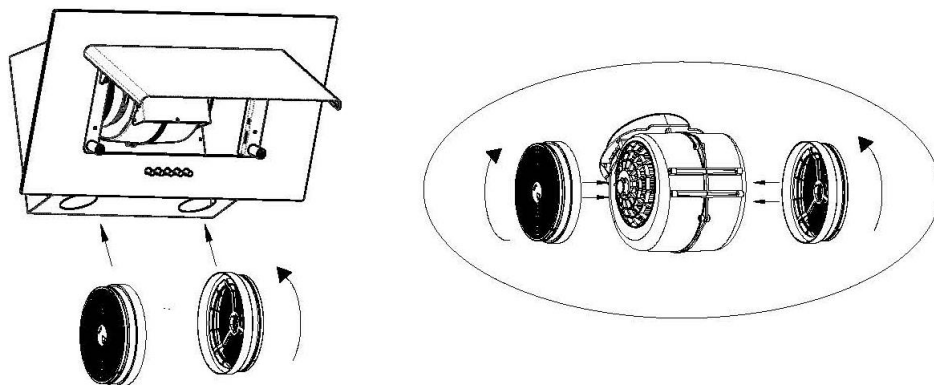
Om du inte har ett utlopp till utsidan krävs inte avgasröret, och installationen liknar den som visas i avsnittet "Installation av köksfläkten (VENT UTÅT)".

1. Det aktiva kolfiltret kan användas för att fånga lukt.

För att installera det aktiva kolfiltret bör fettfiltret tas bort först (Den främre panelen öppnas i en vinkel på $<90^\circ$). Tryck på låset och dra det nedåt.



2. Anslut det aktiva kolfiltret till enheten och vrid det medurs. Upprepa samma på andra sidan.



3. Installera fettfiltret. Vänd den moturs om du byter ut den.

ANMÄRKNINGAR:

- Se till att filtret är ordentligt låst. Annars kan det lossna och orsaka fara.
- När det aktiva kolfiltret är anslutet blir sugkraften lägre.
- Det aktiva kolfiltret bör bytas var tredje månad beroende på användningsförhållandena.

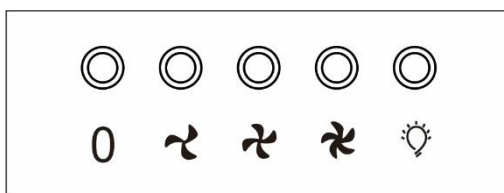
Operation

Sätt alltid på köksfläkten innan du börjar laga mat för att skapa ett luftflöde i köket.

Låt köksfläkten gå i några minuter för att rensa luften när du stänger av köksområdet. Detta kommer att hålla hela köket renare och fräschare.

Tryckknapp / Elektronisk knapp

Använd huven enligt följande:



0 Av-knapp

Används för att stänga av fläkten.

Knapp för låg hastighet

Används för ventilation i köket. Den är lämplig för simning och matlagning som inte ger mycket ånga.

Knapp för medel hastighet

Idealiskt för ventilation vid standard matlagning.

Knapp för hög hastighet

När hög densitet av rök eller ånga produceras, tryck på den här knappen för högsta effektiva ventilation.

Ljusknapp

När lamporna är AV, tryck en gång på den här knappen för att sätta PÅ lamporna. Tryck på den här knappen igen för att stänga av lamporna.

Rengöring och underhåll

Korrekt underhåll av köksfläkten säkerställer enhetens korrekta prestanda.

MOTOR

Motorn är permanent smord och behöver aldrig smörjas. Om motorlagren ger överdrivet eller ovanligt ljud, byt ut motorn mot exakt motor. Fläktbladet bör också bytas ut.

FETTFILTER

Fettfiltret bör rengöras ofta. Använd ett varmt diskrengöringsmedel. Fettfilter är diskmaskinssäkra.

Rengör alla metallfilter i diskmaskinen med ett icke-fosfat rengöringsmedel. Missfärgning av filtren kan förekomma om du använder fosfatrengöringsmedel eller som ett resultat av lokala vattenförhållanden - men detta påverkar inte filterprestanda. Denna missfärgning täcks inte av garantin. För att minimera eller förhindra missfärgning, handtvätt filter med ett mildt rengöringsmedel.

FLÄKTBLAD

Fläktbladet bör rengöras ofta. Använd en ren trasa indränkt med varmt rengöringsmedel.

AKTIVERAD KOLFILTER

Det aktiva kolfiltret bör bytas var tredje månad beroende på användningsförhållandena. Byt ut oftare om din matlagningsstil genererar extra fett, till exempel stekning och woklagning. Dessa filter är inte tvättbara och kan inte återställas. Se installationsanvisningarna för det aktiva kolfiltret.

RENGÖRING AV ROSTFRITT STÅL

Borde:

- Tvätta regelbundet med en ren trasa eller trasa indränkt med varmt vatten och mild tvål eller flytande diskrengöringsmedel.
- Rengör alltid i riktning mot ursprungliga polska linjer.
- Skölj alltid med rent vatten (2 eller 3 gånger) efter rengöring. Torka av helt.
- Du kan också använda ett specialiserad hushållsrengöringsmedel av rostfritt stål.

Rengöring och underhåll

Borde inte:

- Använd stålull eller rostfritt stålull eller andra skrapor för att ta bort envis smuts.
- Använd hårda eller slipande rengöringsmedel.
- Låt smuts ansamlas.
- Låt gipsdamm eller andra konstruktionsrester nå köksfläkten. Under konstruktion/renovering, täck över köksfläkten så att inget damm fastnar på ytan av rostfritt stål.

Undvik när du väljer rengöringsmedel:

- Alla rengöringsmedel som innehåller **blekmedel** kommer att attackera rostfritt stål.
- Alla produkter som innehåller **klorid, fluor, jodid, bromid** kommer att försämra ytorna snabbt.
- Alla brännbara produkter som används för rengöring som **acetone, alkohol, eter, bensyl** osv. är mycket explosiva och bör aldrig användas nära värmeytan.

MÅLAD POLERINGSRENGÖRING:

Rengör endast med varmt vatten och mildt rengöringsmedel. Om missfärgning inträffar, använd en poleringsmedel som t.ex. bilpoleringsmedel. (Använd INTE grovt slipande rengöringsmedel eller porslinsrengöringsmedel.)

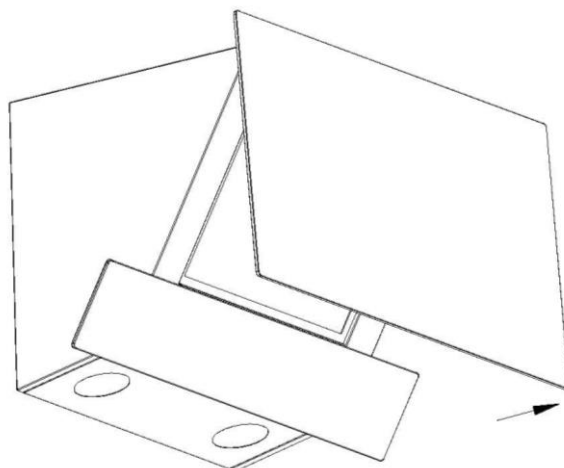
BYTE AV LED

■ Cirkulär/rektangel LED-lampa:

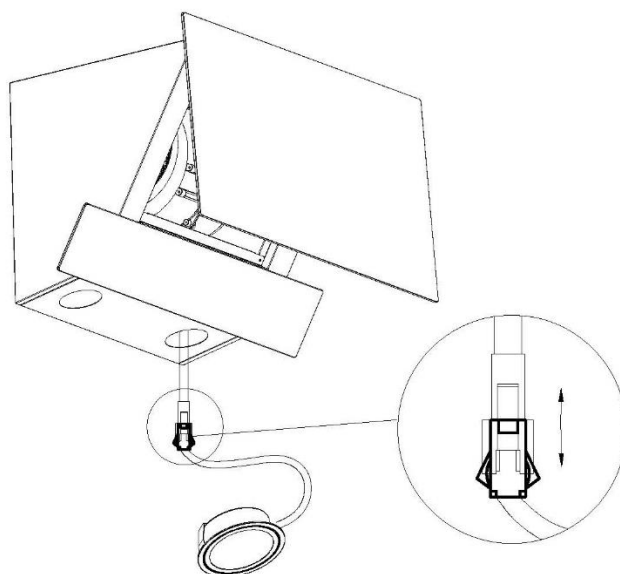


Rengöring och underhåll

1. Om du behöver byta ut LED-lampan ska fettfiltret tas bort först. Tryck på låset och dra det nedåt.



2. Skjut ut LED-lamphållaren från skåpet till hands, dra ut LED-lampan och ledningen tillsammans, öppna skyddet för strömskyddet, dra ut pluggen och byt ut LED-lampan för motsvarande modell.



FÖRSIKTIGHET:

Innan du rengör eller reparerar och byter tillbehör, var noga med att stänga av strömmen för att undvika elektrisk stöt, skada på människokroppen och till och med äventyra livssäkerheten!

Felsökning

Problem	Möjlig orsak	Lösning
Köksfläkten fungerar inte	Ingen elförsörjning	Kontrollera att kontakten är ansluten och att huvudströmbrytaren är påslagen
Dåligt luftflöde	Fettfilter tilltäppta med ansamlingsfett	Rengör fettfiltret och sätt tillbaka det när det är torrt
	Kolfilter tilltäppta med ansamlingsfett	Byt ut kolfilter med nya
Huvsugning är inte effektiv	Otillräcklig ventilation	Se till att köket är tillräckligt ventilerat för att tillåta frisk luft
	Kolfilter är inte installerade	Installera kolfilter i återcirkulationsläge
Motorn går men inget luftflöde	Dåligt avgas	Vänligen kontakta CIARRA kundtjänst
Vridande ljud	Främmande föremål kan komma i kontakt med fläktbladet	Vänligen kontakta CIARRA kundtjänst
Lamporna fungerar inte	Ljusstången är trasig	Byt ut det skadade ljuset
	Ljusstångsanslutningen är lös	Anslut igen

Om problemet kvarstår efter ovanstående kontroller, kontakta CIARRA kundtjänst för hjälp.

Avfallet från elektriska produkter ska inte kasseras tillsammans med hushållsavfallet. Återvinn dem där anläggningar finns. Kontakta din lokala myndighet eller återförsäljare för råd om återvinning.



Denna apparat är märkt enligt det europeiska direktivet 2012/19/EU om avfall från elektrisk och elektronisk utrustning, Waste Electrical and Electronic Equipment (WEEE) på engelska.

Genom att säkerställa att avfallet från denna produkt kasseras på rätt sätt hjälper du till att förhindra potentiella negativa konsekvenser för miljön och människors hälsa, som annars kan orsakas av olämplig avfallshantering av denna produkt.

Symbolen på produkten indikerar att denna produkt inte får behandlas som hushållsavfall. Istället ska den överlämnas till tillämpliga insamlingsmyndighet för återvinning av elektrisk och elektronisk utrustning.

Bortskaffande måste ske i enlighet med lokala miljöbestämmelser för avfallsbortskaffande.

För mer detaljerad information om behandling, återhämtning och återvinning av denna produkt, vänligen kontakta ditt lokala stadskontor, din hushållsavfallstjänst eller butiken där du har köpt denna produkt.

