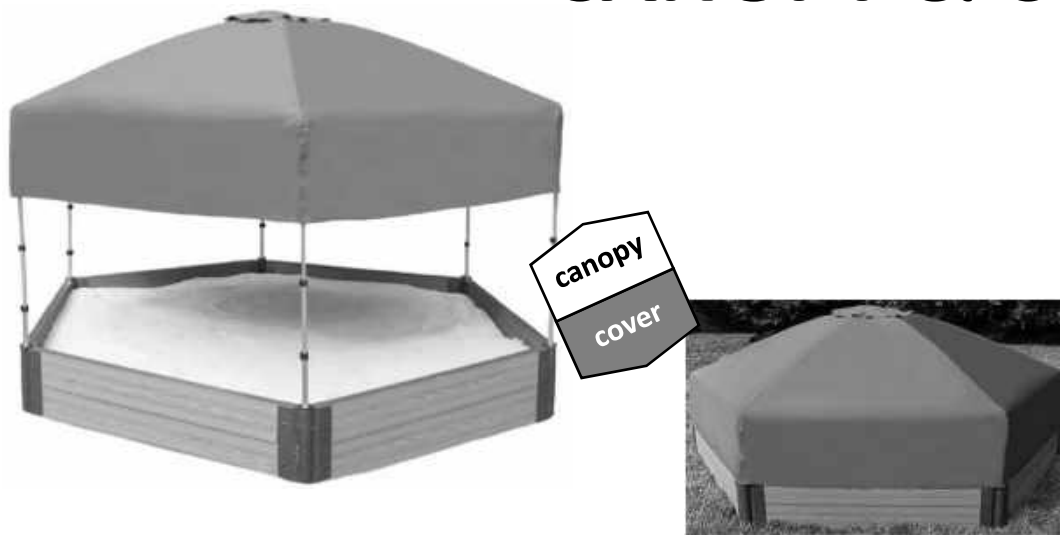


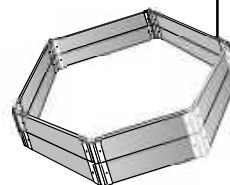
TELESCOPING HEXAGON CANOPY & COVER



TELESCOPING HEXAGON KIT CONTAINS:



*we included two different caps sizes. Depending on your sandbox profile (either 1 or 2 inches), you will only need to use one size.



SANDBOX
Sold
Separately

Hexagon Canopy/Cover works great with sandbox below:

- 300001228
- 300001232

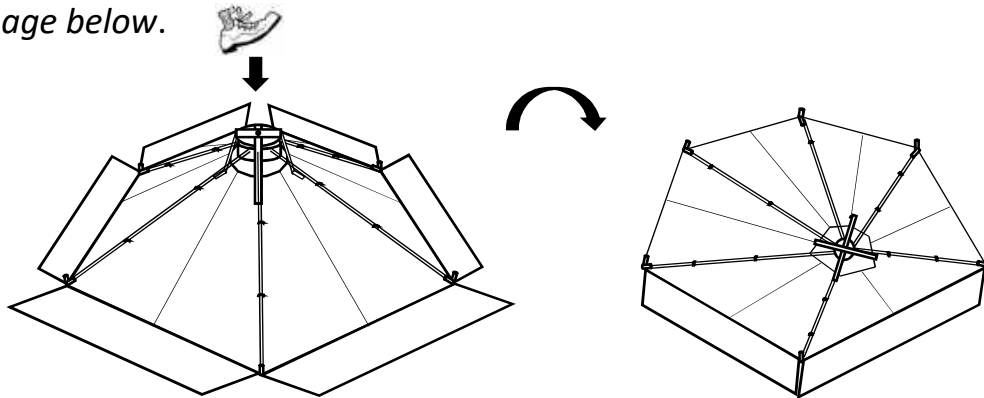
ASSEMBLY INSTRUCTIONS – *For Telescoping Hexagon Canopy & Cover*

FORMING THE CANOPY DOME

STEP 1: In an open area, position the canopy so that the inside of the canopy (*with canopy supports showing*) is facing up.

STEP 2: Manually expands the canopy spokes evenly in each direction as much as possible.

STEP 3: Using your foot, step on the center hub of the canopy to invert and lock the supports in place. The canopy will ‘flip’ into its proper convex shape and become stable – refer to image below.

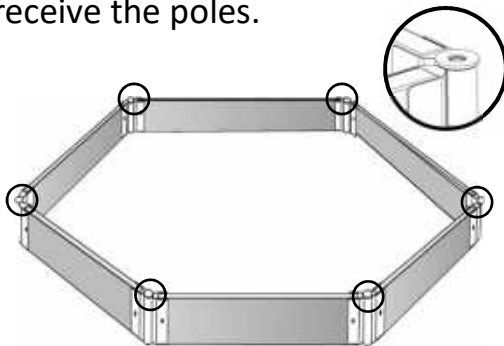


INSTALLING THE TELESCOPING SUPPORT POLES

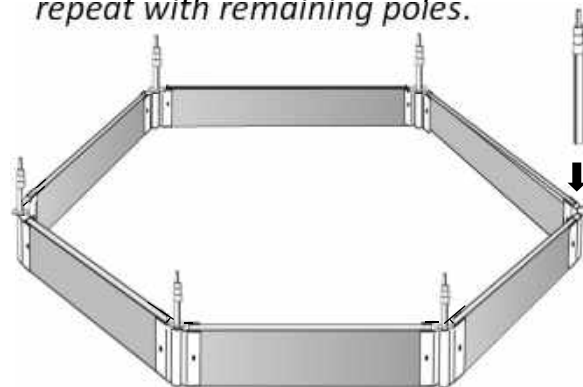
STEP 1: Unlock the clamps on the bottom two of the telescoping pole and extend it to its full length. Lock the clamps to hold it in place.



STEP 2: Remove existing caps from stakes and replace it with caps that have holes to receive the poles.



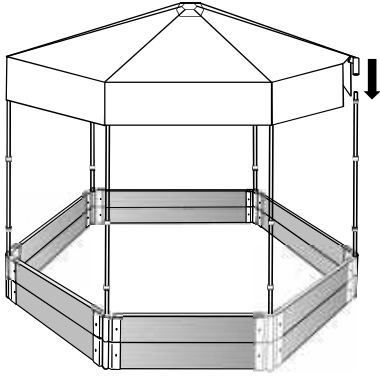
STEP 3: Insert widest end of the pole into recess of staking joint stakes – repeat with remaining poles.



ASSEMBLY INSTRUCTIONS – *For Telescoping Hexagon Canopy & Cover*

ATTACHING THE CANOPY (NOTE: 2-person job to make it much easier)

STEP 1: Position canopy top so that canopy connectors are aligned with support poles.



STEP 2: Insert support pole into canopy connector cap (refer to image on left). Repeat with remaining poles.

STEP 3: Extend the top telescoping to its full length.

STEP 4: Pull canopy flaps together at each corner and affix with Velcro straps.

TO CONVERT TO SANDBOX COVER

Release the highest clamp on each pole. Canopy will now slide down to the next set of levels. Lock 1st lever, then repeat with each additional level of clamps until the poles have fully telescoped into each other.

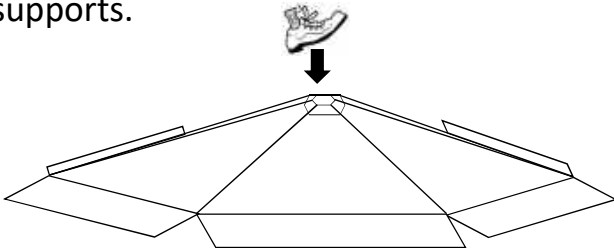
TO CONVERT BACK TO CANOPY

Release each bottom set of levers, then extend and lock 1st level of telescoping poles. Repeat with each additional level.

STORING THE CANOPY

STEP 1: Remove canopy from telescoping poles. Place on ground right side up (as it came off the support poles).

STEP 2: Using your foot, step on the central hub to invert and unlock the canopy supports.



STEP 3: Compress canopy sides together to close.

