

RAISED GARDEN BED

MONARCH MIGRATION STATION - HEXAGON

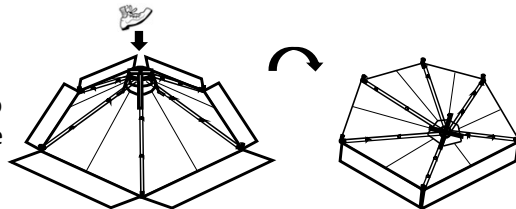


ASSEMBLY INSTRUCTIONS – forming the canopy dome

STEP 1:

In an open area, position the canopy so that the inside of the canopy (with canopy supports showing) is facing up. Manually expands the canopy spokes evenly in each direction as much as possible.

STEP 2: Using your foot, step on the center hub of the canopy to invert and lock the supports in place. The canopy will 'flip' into its proper convex shape and become stable – refer to image on right



Customer Service: 1800-914-9835 | support@frameitall.com
© Frame It All. All Rights Reserved.

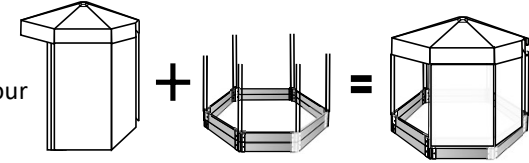
ASSEMBLY INSTRUCTIONS – forming the canopy dome

STEP 3:

Insert steel poles into the raised garden bed corner stakes hole.

STEP 4:

Find the canopy side with the attached fabric inner wall as this will be the side of your front entrance.

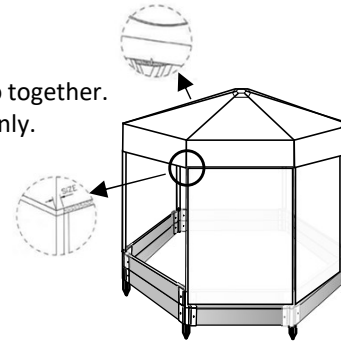


Connect the canopy roof to the upright steel poles by inserting the plastic plugs into the ends of the steel poles.

STEP 5:

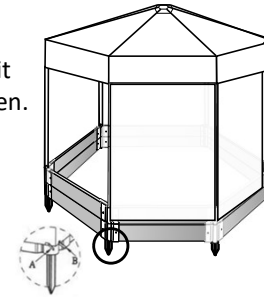
Velcroing – seal the canopy roof sides by attaching the Velcro together.

- Attach door panel first before attaching the sidewalls evenly. Attaching the top of the door panel to the canopy Velcro end flaps.
- Attach sidewalls by velcroing along the canopy roof and along the door panel sides.



STEP 6:

Tie bottom laces to form a snug fit along the base of the raised garden.



STORING THE CANOPY

STEP 1:

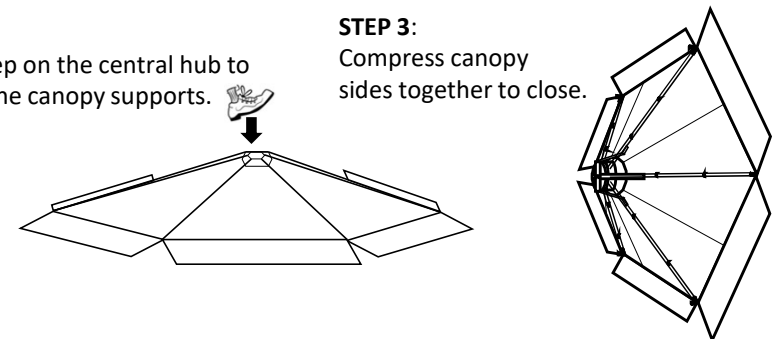
Remove canopy from the poles. Place on ground right side up (as it came off the support poles).

STEP 2:

Using your foot, step on the central hub to invert and unlock the canopy supports.

STEP 3:

Compress canopy sides together to close.



Customer Service: 1800-914-9835 | support@frameitall.com