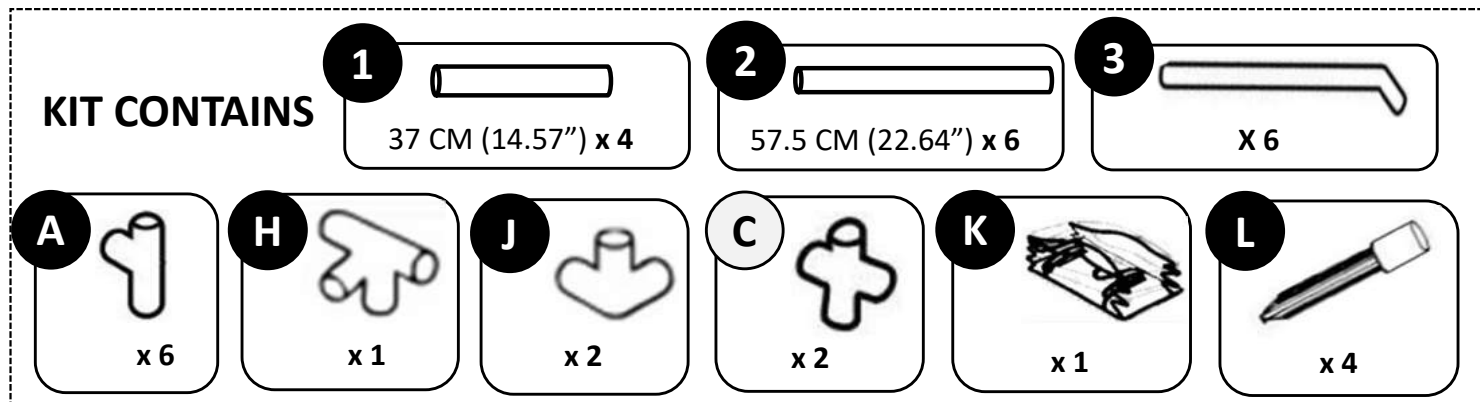


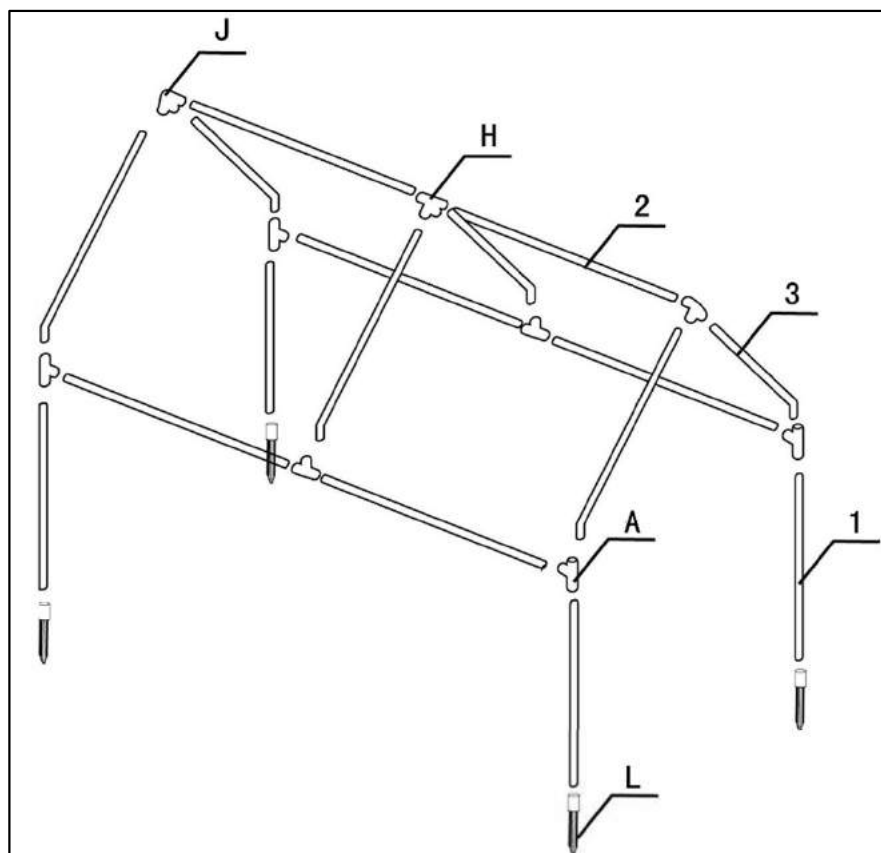
EXTENDABLE COLD FRAME GREENHOUSE

48"x48"x36 3/5" (122x122x93cm)

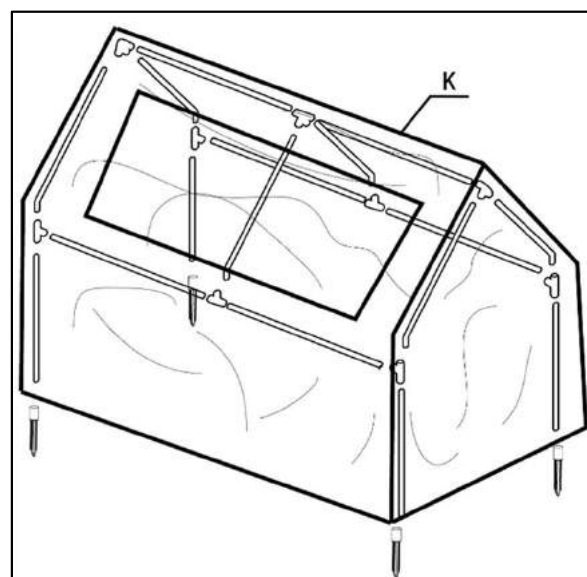


*Use Part 'C' ONLY if install two (2) Greenhouses side-by-side

ASSEMBLY DIAGRAM (1 GREENHOUSE)



Montage de 1 serre
Montaje de 1 invernadero
Montagem de 1 estufa
How to install 1 greenhouse

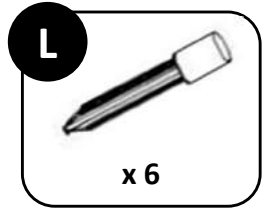
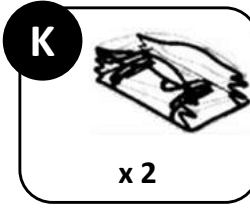
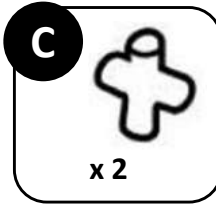
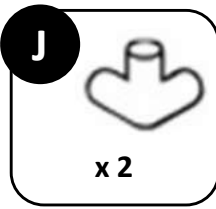
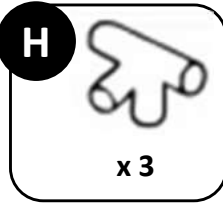
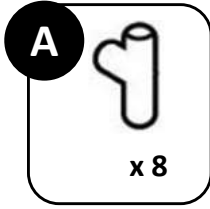
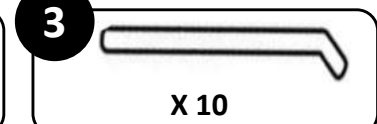
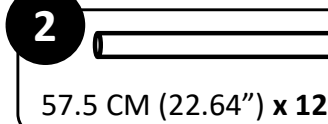
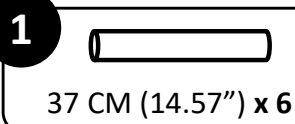


Note:

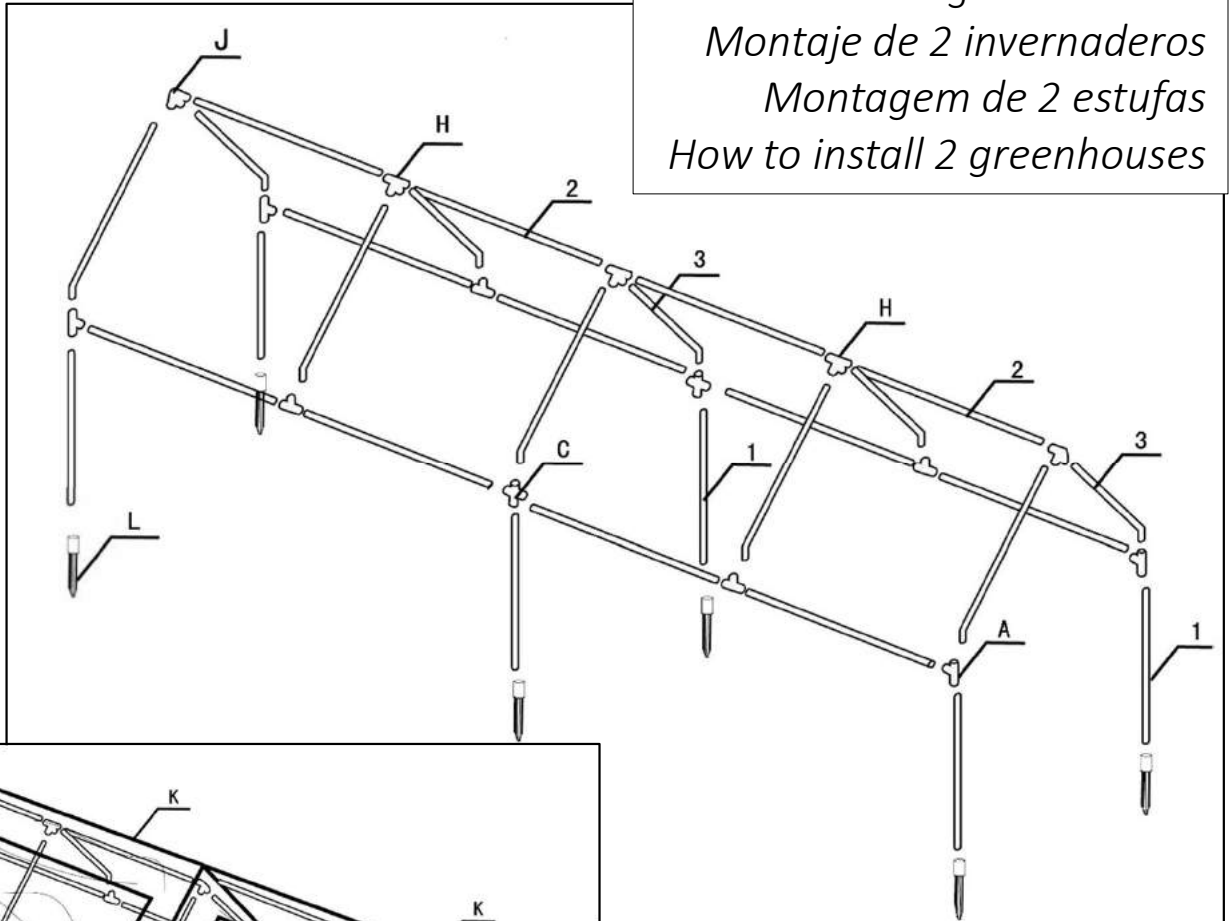
Use spike if placing greenhouse on ground. If you use it with raised garden bed, place the metal pole directly into the top of the stake.

INSTALLING 2 GREENHOUSES – requires 2 kits

REQUIRED



ASSEMBLY DIAGRAM



Montage de 2 serres
Montaje de 2 invernaderos
Montagem de 2 estufas
How to install 2 greenhouses

