

# frameitall™

## Eco Fence & Garden

**Individual Picket Installation**



# Introductions

## **Read ALL instructions before starting the installation process**

It is the responsibility of the fencing installer to abide by all safety and code requirements, and to obtain all applicable building permits. The fencing installer should establish and execute appropriate installation methods for each installation scenario. Frame it All Fencing and its distributors shall not be held liable for improper or unsafe installation.

Contact your local Building Code Department for applicable permits and laws regarding your fence installation. If necessary, also communicate with your Home Owners Association (HOA) for guidelines and regulations on fencing installations in your community.

## **CALL 811 BEFORE YOU DIG TO HAVE YOUR UNDERGROUND UTILITIES MARKED**

Take care to wear necessary Personal Protective Equipment (PPE) during fence installation.

Handle Frame it All Fence panels with care as dropping, dragging, or leaning can result in damage to the boards.

Frame it All Fencing is designed for vertical use. It is NOT designed to support constant load or to be used as an anchor point.

### **Storage:**

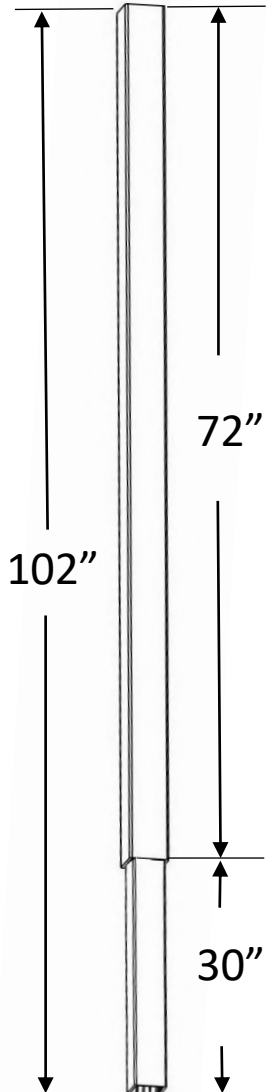
- Keep all fence boards in their delivery crate until ready to install.
- Do not lean Pickets or Pre-assembled Panels against a wall or onto a rough surface as this can result in scratches to the boards.

**Have an Issue or Question? Contact us first at:**

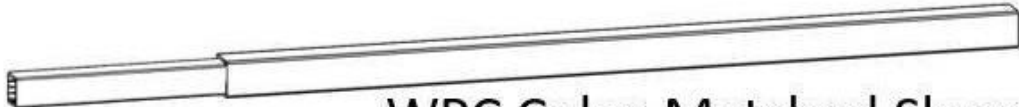
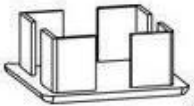



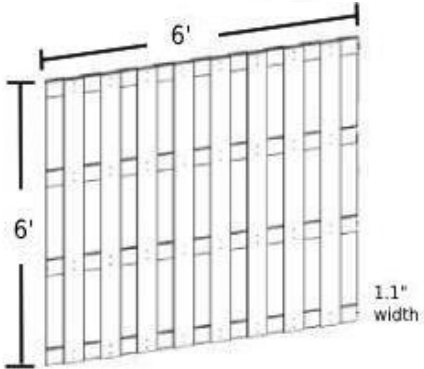



**[Support@Frameitall.com](mailto:Support@Frameitall.com) or (800) 914-9835**

# Frame it All Fence Materials

## Post Assembly



## Fence Post Components

<b>A</b>	 3.4 x 3.4 x 102" WPC Color-Matched Sleeve				
<b>B</b>	 Post Cap 3.3 x 3.3 x 1.1"	<b>C1</b>	 L-Bracket 1.1 x 1.1 x 1.1"	<b>C2</b>	 T-Bracket 2.5 x 1.875 x 1"
<b>D</b>		<b>E</b>	Individual Cap Picket  70.20 x 5.51 x 0.40"		
Pre-Assembled Cap Panel  6' x 6' x 1.1" width		<b>F1</b>	 M4 x 16mm (0.63")		
		<b>F2</b>	 M4 x 32mm (1.26")		
		<b>F3</b>	 M4 x 25mm (1.00")		

Have an Issue or Question? Contact us first at:  
[Support@Frameitall.com](mailto:Support@Frameitall.com) or (800) 914-9835

# Required Tools

## MATERIAL AND TOOLS FOR INSTALLATION

- Level
- Line
- Tape measurement
- Pen/marker
- Hammer/Mallet
- PPE (Safety Gloves, Goggles)
- Power Drill with 3/16" drill bit
- Concrete
- Gravel
- Post Hole Digger or Power Auger
- Spade Shovel
- Stakes
- Nail Gun (optional)
- 1 ¼" galvanized brad nails (optional)
- Starborn Industries Epoxy Coated Fascia Screw #10 X 1-7/8"  
(for wood rail installation)
- 60-tooth Carbide Circular Saw Blade (optional)
- 80-tooth Cermet Circular Saw Blade (optional)

**Have an Issue or Question? Contact us first at:**

**[Support@Frameitall.com](mailto:Support@Frameitall.com) or (800) 914-9835**

The square galvanized steel inner post will measure 102” and the composite post sleeve will measure 72” by default. An 80-tooth Cermet Circular Saw Blade can be used to cut the steel post down and a 60-tooth Carbide Circular Saw Blade can be used to cut all composite components.

We strongly recommend installing Frame it All 360 Cap Composite Pickets with 4 rails and posts placed 6ft on center. Our composite pickets weigh more than standard wood pickets making 3 rail/ 8ft post placement on center not advised.

Minimum picket spacing of 4mm to account for the expansion/contraction of the composite material.

**Have an Issue or Question? Contact us first at:**  
**[Support@Frameitall.com](mailto:Support@Frameitall.com) or (800) 914-9835**

# Table of Contents

- 7 **Step 1: Draw the layout of your fence**
- 8 **Step 2: Use stakes & a string guide to produce the perimeter and determine post hole location**
- 9 **Step 3: Dig Post Holes**
- 10 **Step 4: Fill the Post Hole with Gravel**
- 11 **Step 5: Place your Posts**
- 12 **Step 6: Securing Posts with Concrete**

## **(A) Individual Picket Installation with Frame it All Post Assembly**

- 13 **Step 1: Install the L-brackets onto wooden rails**
- 14 **Step 2: Install the rails onto the post**
- 15 **Step 3: Install the pickets onto the rails**

## **(B) Pre-Assembled Panel Installation with Frame it All Post Assembly**

- 16 **Step 1: Install the T-Brackets into the rails of the Panel**
- 17 **Step 2: Install the Panel to the Posts**
- 18 **Maintenance – Fence Board and Composite Posts**
- 19 **Frequently Asked Questions**

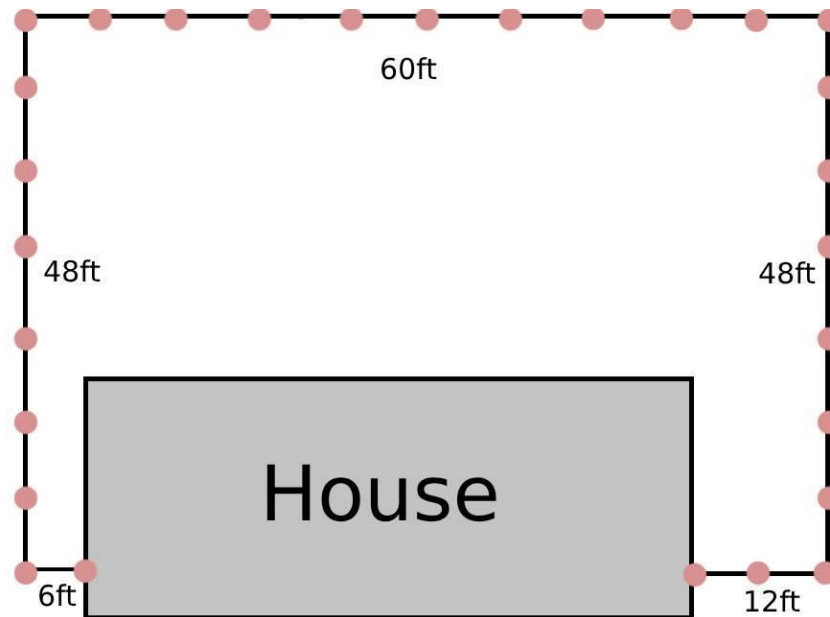
**Have an Issue or Question? Contact us first at:**  
**[Support@Frameitall.com](mailto:Support@Frameitall.com) or (800) 914-9835**

## Step 1: Draw the layout of your fence

Before securing any posts or making any cuts to your material, first identify the property limits and establish the perimeter of your fencing.

Determine the length of each fence run. Pre-Assembled Panels can be cut to size for fence runs that are not divisible by the default 6ft length of the panels.

Determine the distance between each post. Mark all gate placements and consider the swing path of the gate door.



**Have an Issue or Question? Contact us first at:**  
**[Support@Frameitall.com](mailto:Support@Frameitall.com) or (800) 914-9835**

## Step 2: Use stakes & a string guide to produce the perimeter and determine post hole location

Using your layout drawing as a reference, locate each corner of your fence run and mark it with a stake.

Using a string pulled taut between each of the stakes, mark out the perimeter of your fence.

Layout your fence to minimize the amount of board cuts necessary.

Beginning at your first post hole, use a tape measure and mark each post hole location.

Ensure that all the corners are precisely 90° angles.

Note: For non-90° angle corners, use 2 posts in the post hole to produce desired angle and size hole appropriately.

Have an Issue or Question? Contact us first at:  
[Support@Frameitall.com](mailto:Support@Frameitall.com) or (800) 914-9835



## Step 3: Dig Post Holes

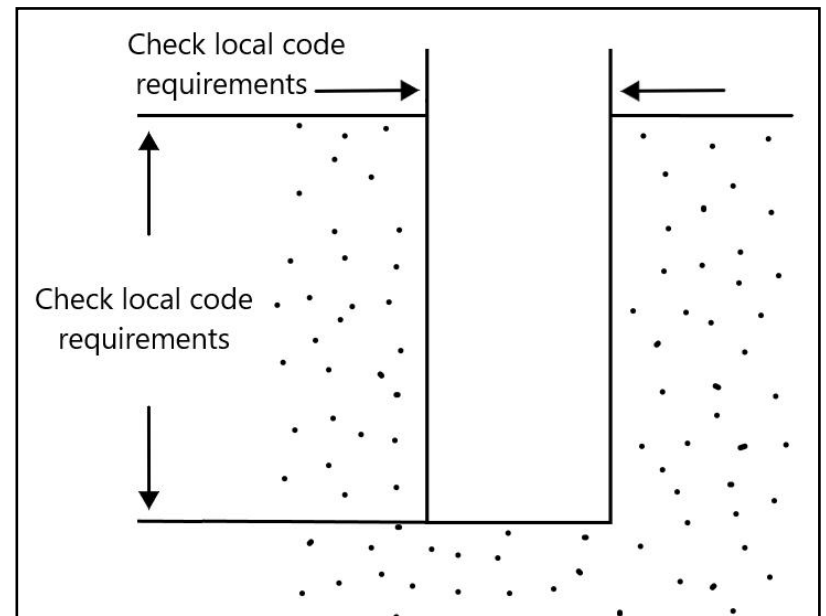
Before digging any post holes, make sure you are abiding local code requirements for exact post hole width and depth guidelines.

Dig the post hole using an Augur Drill or other Post Hole digger.

While digging the post holes, be sure to keep your Post Hole digging tool straight and vertical.

**Note:** Do not pour concrete at this step.

**Reminder:** Call 811 before digging post holes to avoid damaging underground utilities.



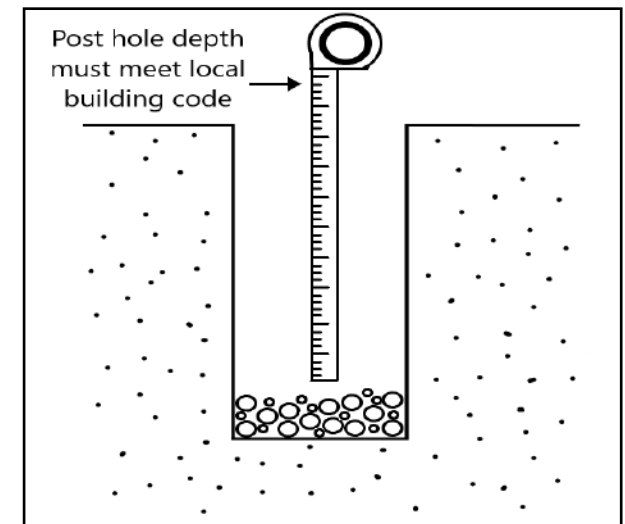
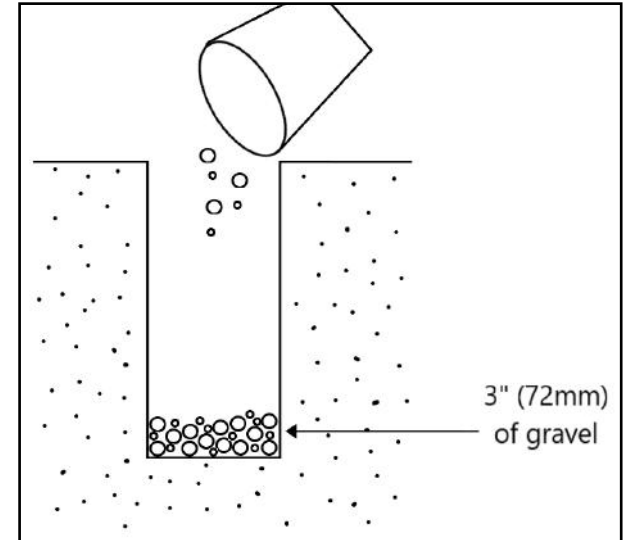
**Have an Issue or Question? Contact us first at:**  
[Support@Frameitall.com](mailto:Support@Frameitall.com) or (800) 914-9835

## Step 4: Fill the post hole with gravel

Pour 3" (72mm) of gravel into the post holes to allow drainage.

Compact the gravel into the hole and ensure a level surface.

Confirm that the depth of your post hole are consistent and comply with local building code. Adjust depth if needed.



**Have an Issue or Question? Contact us first at:**  
**[Support@Frameitall.com](mailto:Support@Frameitall.com) or (800) 914-9835**

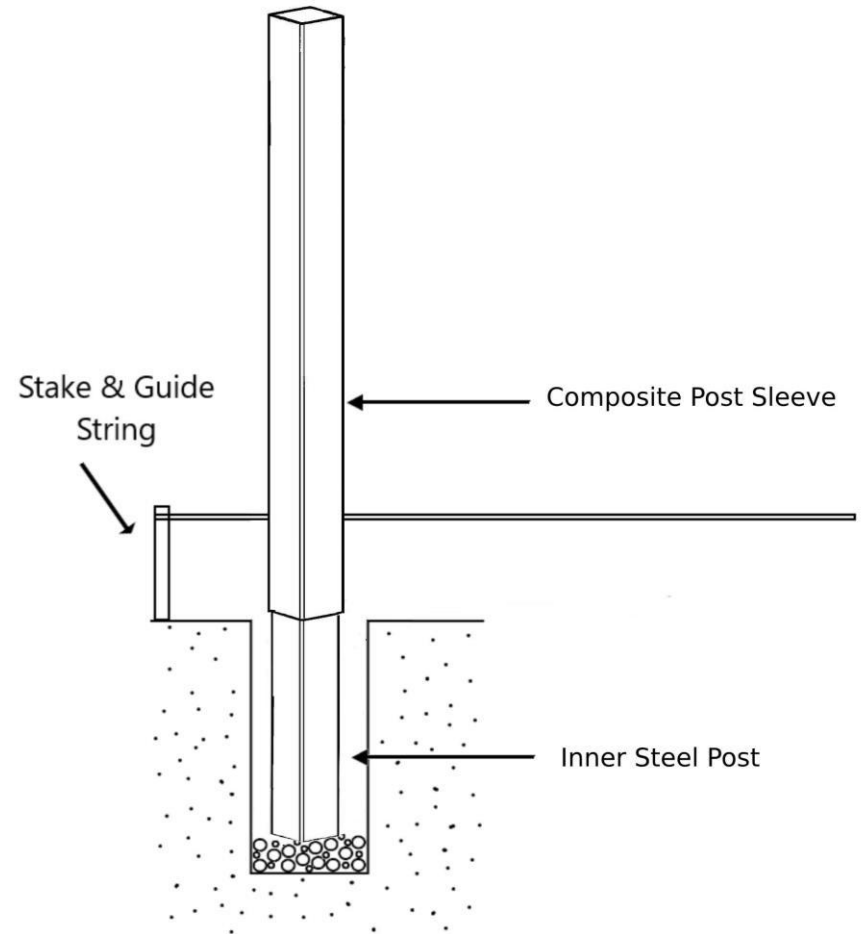
## Step 5: Place your Posts

Use your string perimeter to guide the placement of each post (**Part A**).

Once again, ensure that your desired spacing between posts is accurate.

If installing Pre-Assembled Fence panels, ensure exactly 74.3" or 1887mm spacing center to center on posts.

Before pouring concrete ensure that your post is plumb, and your composite post sleeve is above ground.



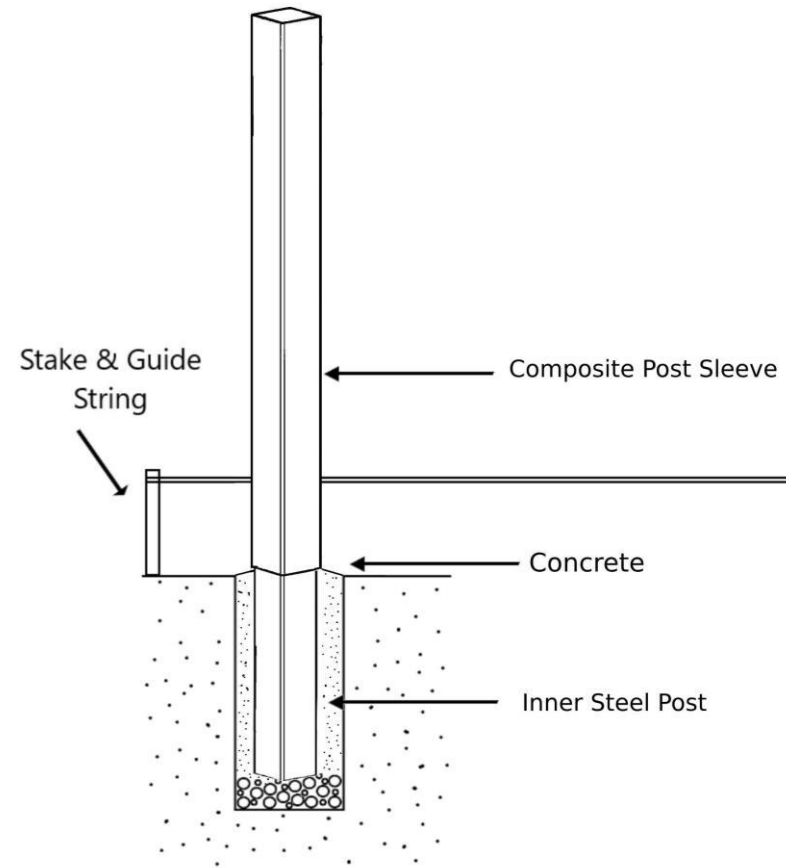
**Have an Issue or Question? Contact us first at:**  
**[Support@Frameitall.com](mailto:Support@Frameitall.com) or (800) 914-9835**

## Step 6: Securing Posts with Concrete

Once the post is positioned in the hole, pour concrete into the hole. Dome the concrete around the post to prevent water pooling. The composite post sleeve should be above the ground level and not touching the concrete.

Take this time before the concrete completely hardens to make any last adjustments to ensure the post is plumb.

Tip: Wait until the concrete has completely cured before installing the rails and pickets/panels.



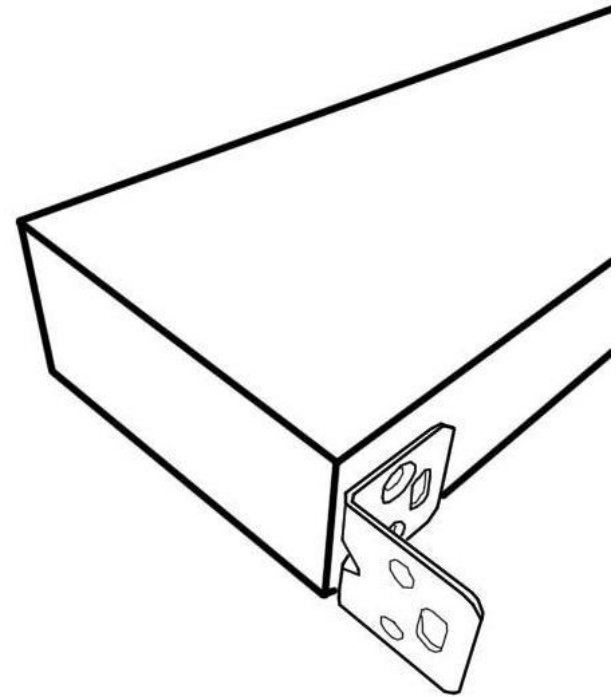
**Have an Issue or Question? Contact us first at:**  
**[Support@Frameitall.com](mailto:Support@Frameitall.com) or (800) 914-9835**

## (A) Individual Picket Installation with Frame it All Post Assembly

### Step 1: Install the L-brackets onto wooden rails

Install the L-brackets (**Part C1**) onto the bottom of each end of the wooden rail with the M4 x 16mm screws (**Part F1**). For a 6ft x 6ft fence panel, 3 or 4 rails can be used for panel construction.

Position the rails between the 2 posts and use the holes of the L-bracket to mark holes on the post. Then, using a 3/16" drill bit, pre-drill through both the composite sleeve and steel inner post.



**Have an Issue or Question? Contact us first at:**  
[Support@Frameitall.com](mailto:Support@Frameitall.com) or (800) 914-9835

## (A) Individual Picket Installation with Frame it All Post Assembly

### Step 2: Install the rails onto the post

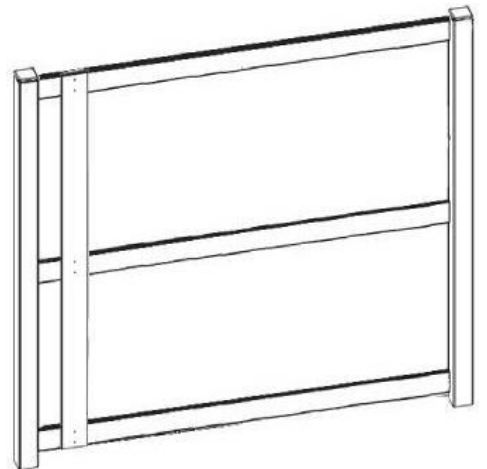
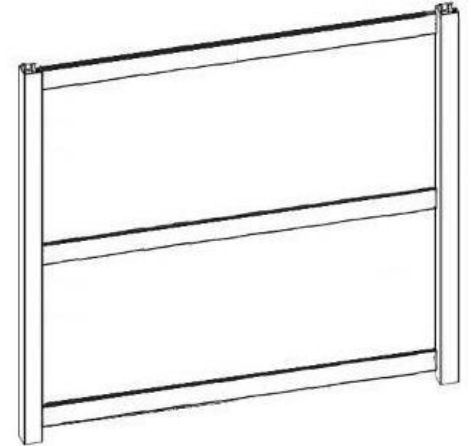
Using the M4 x 32mm screws (**Part F2**), secure the rails onto the post keeping in mind that no more than 4" of space should be between the top of the top rail and the top of the picket. Maintain the same maximum measurement for the bottom rail and picket. The L-bracket should be installed so that it supports the rail from the bottom.

Frame it All Cap Composite Pickets (**Part E**) are designed to be installed with Fascia Screw #10 X 1-7/8" (not provided). Nails used for installing pickets can loosen over time from the expansion and contraction of the composite material.

Before installing the fascia screws, 2 screw holes will need to be pre-drilled into the picket for each rail, using a 3/16" drill bit.

A nail gun and 1 ¼" galvanized Brad nails can be installed through the top two rails to keep the picket in place while pre-drilling the holes into the picket.

**Do not pre-drill the wooden rail.**



**Have an Issue or Question? Contact us first at:**

**[Support@Frameitall.com](mailto:Support@Frameitall.com) or (800) 914-9835**

## (A) Individual Picket Installation with Frame it All Post Assembly

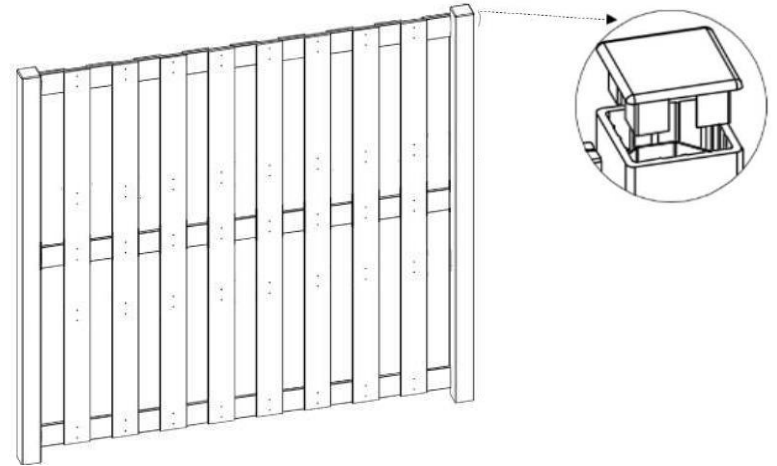
### Step 3: Install the pickets onto the rails

Secure the pickets into the rails using Fascia screws installed into the pre-drilled holes. These screws will account for the expansion and contraction of the composite material during temperature fluctuations.

Repeat this steps to complete your fence panels.

Finish your fence panel by securing a post cap (Part B) on top of each post.

**Tip:** Fence panels can also be constructed on a flat table, securing the pickets to the rails and then the constructed panel to the posts.

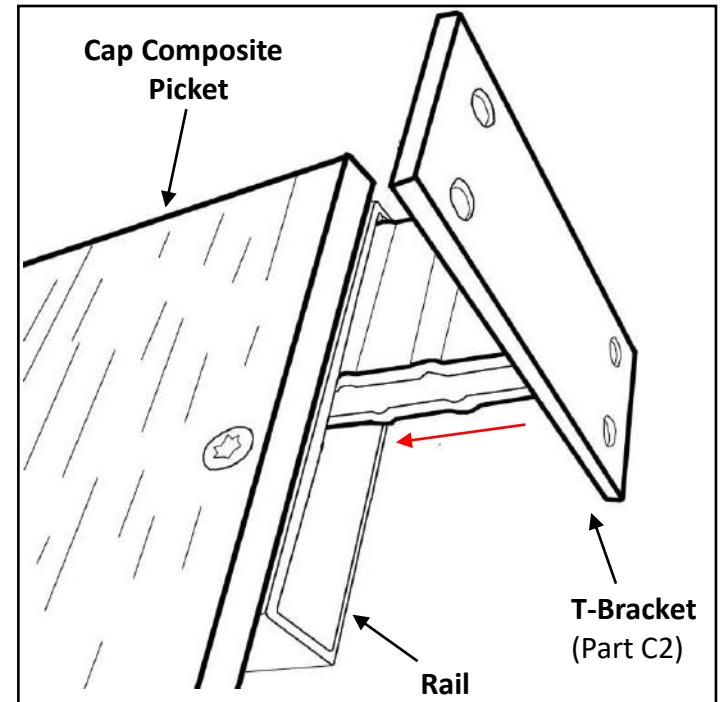
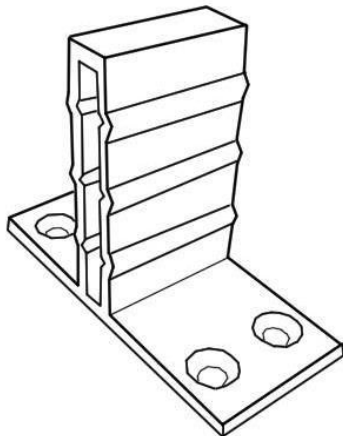


Have an Issue or Question? Contact us first at:  
[Support@Frameitall.com](mailto:Support@Frameitall.com) or (800) 914-9835

## (B) Pre-Assembled Panel Installation with Frame it All Post Assembly

### Step 1: Install the T-Brackets into the rails of the Panel

Insert the ribbed side of the T-bracket (**Part C2**) into both ends of the rail. When inserting the T-Bracket, slide it up to the top-most position in the rail slot. Repeat this step for all four rails on the panel (**Part D**). Use the holes of the T-Bracket to mark the rails of the fence panel.



Have an Issue or Question? Contact us first at:  
[Support@Frameitall.com](mailto:Support@Frameitall.com) or (800) 914-9835



## **(B) Pre-Assembled Panel Installation with Frame it All Post Assembly**

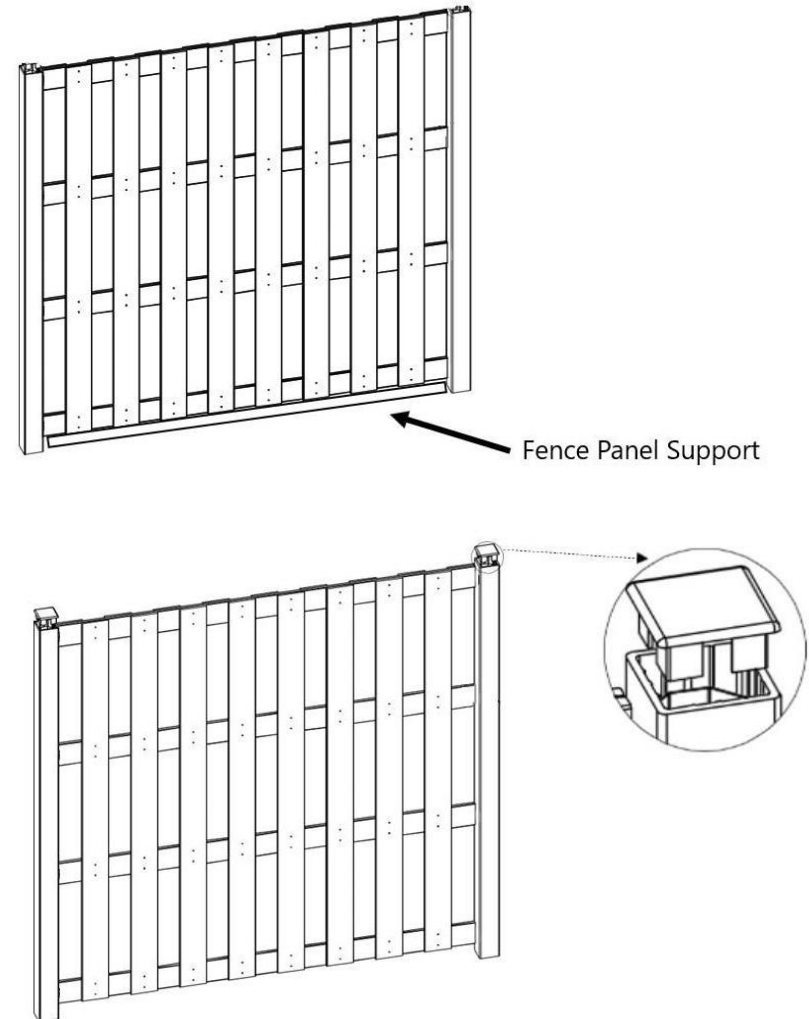
### **Step 2: Install the Panel to the Posts**

Place a support, such as a board or bricks, between the posts to act as a platform to support the panel.

Position the panel between the 2 posts and use the holes of the T-bracket to mark holes on the post. Ensure 74.3" or 1887mm spacing center to center for appropriate post spacing. Then, using a 3/16" drill bit, pre-drill through both the composite sleeve and steel inner post.

Once holes are pre-drilled, use the M4 x 25mm screws (**Part F3**) to secure the T-brackets of the fence panel to the posts.

Finish your fence panel by securing a post cap (**Part B**) on top of each post.



**Have an Issue or Question? Contact us first at:**  
**[Support@Frameitall.com](mailto:Support@Frameitall.com) or (800) 914-9835**

## MAINTENANCE – FENCE BOARD & COMPOSITE POSTS

Little maintenance is required for Frame it All Cap Composite fence boards and Posts, besides cleaning 1-2 times a year with water and soap.

- For a standard washing, use soft detergent and water.
- If mold / mildew appears on the boards, clean with a product containing chlorine bleach.
- For oil and grease stain, wash immediately with a degreasing agent.
- Do not use solvent-based material. Do not stain, oil or paint the fence boards.

**Have an Issue or Question? Contact us first at:**  
**[Support@Frameitall.com](mailto:Support@Frameitall.com) or (800) 914-9835**

## Frequently Asked Questions

- **Who do I contact for missing or damaged pieces?**

Contact Frame it All directly by emailing a complete list of missing and damaged pieces with your name, shipping address, and original order number.

- **Need extra pieces due to installation error?**

Visit <https://frameitall.com/products/horizontal-cap-composite-fence> or contact [Support@Frameitall.com](mailto:Support@Frameitall.com) for additional part requests.

- **Where can I view the warranty policy for Frame it All Fencing and how do I register my product?**

The Frame it All Composite Fence Warranty can be viewed at

<https://frameitall.com/pages/warranty> and clicking the “Composite Fence Warranty” option at the top of the page. You can register your product for warranty by emailing [Support@Frameitall.com](mailto:Support@Frameitall.com) with your Full name, Phone number, Address, Order Number, Product Purchased, and Proof of Purchase. Product can be registered for Warranty within 90 days of delivery.

- **What are the benefits of Cap Composite Fencing?**

Cap Composite never requires any painting or staining and resist color fading from the sun. The composite mixture is made of recycled plastic and sustainably sourced hardwood fiber. This mixture makes Frame it All Fence Boards resistant to pests, mold, and rot, lasting much longer than other materials such as wood or vinyl.

**Have an Issue or Question? Contact us first at:**

**[Support@Frameitall.com](mailto:Support@Frameitall.com) or (800) 914-9835**

## How Can We Help?

**Have an Issue or Question?  
Contact us first at:  
[Support@Frameitall.com](mailto:Support@Frameitall.com) or  
**(800) 914-9835****

Frame it All Support Representatives are available  
8:30AM to 4:30PM EST Monday – Friday

Please let us know if you have any questions or  
issues; we're always Happy to Help!

**Please leave a Review!**



Scan the QR Code and select the option to Write a Review!  
Thank you so much for choosing Frame it All for your Project!

**Have an Issue or Question? Contact us first at:**  
[Support@Frameitall.com](mailto:Support@Frameitall.com) or (800) 914-9835

# Like our Fencing, then you'll love our line of Garden Products



Scan the QR Code for our full selection of  
Composite Raised Garden beds!

Have an Issue or Question? Contact us first at:  
[Support@Frameitall.com](mailto:Support@Frameitall.com) or (800) 914-9835

## Follow Us on **Social Media!**



Scan the QR Code to be taken to our various  
Social Media Pages!

Have an Issue or Question? Contact us first at:  
[Support@Frameitall.com](mailto:Support@Frameitall.com) or (800) 914-9835