

# frameitall™

## Eco Fence & Garden

**Horizontal Fencing**



# Introductions

## **Read ALL instructions before starting the installation process**

It is the responsibility of the fencing installer to abide by all safety and code requirements, and to obtain all applicable building permits. The fencing installer should establish and execute appropriate installation methods for each installation scenario. Frame it All Fencing and its distributors shall not be held liable for improper or unsafe installation.

Contact your local Building Code Department for applicable permits and laws regarding your fence installation. If necessary, also communicate with your Home Owners Association (HOA) for guidelines and regulations on fencing installations in your community.

## **CALL 811 BEFORE YOU DIG TO HAVE YOUR UNDERGROUND UTILITIES MARKED**

Take care to wear necessary Personal Protective Equipment (PPE) during fence installation.

Handle Frame it All Fence panels with care as dropping, dragging, or leaning can result in damage to the boards.

Frame it All Fencing is designed for vertical use. It is NOT designed to support constant load or to be used as an anchor point.

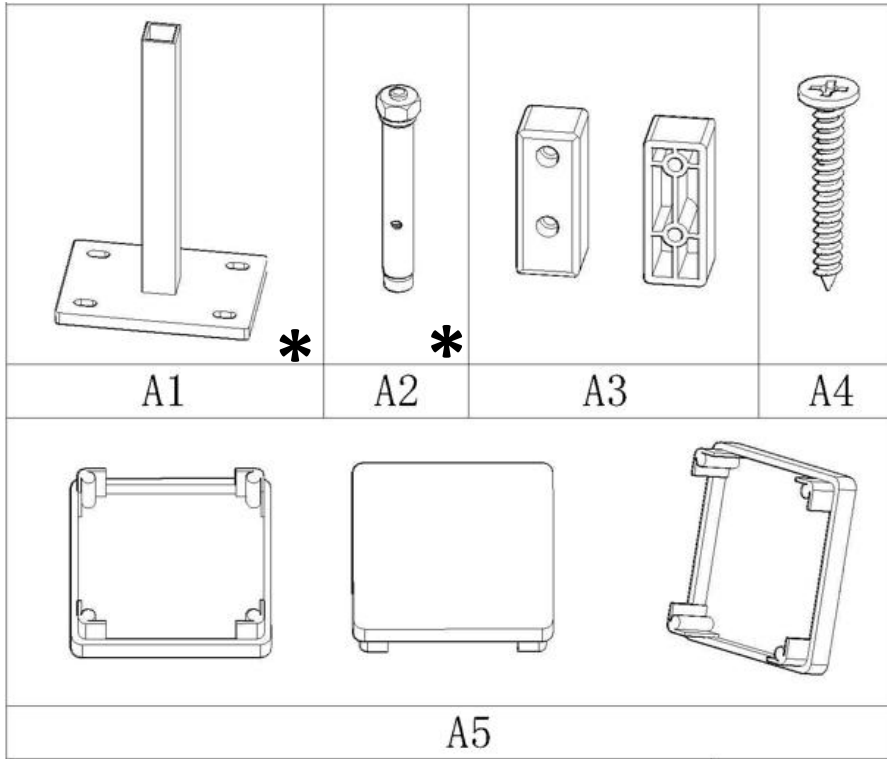
### **Storage:**

- Keep all fence boards in their delivery crate until ready to install.
- Do not lean fence boards against a wall or onto a rough surface as this can result in scratches to the boards.

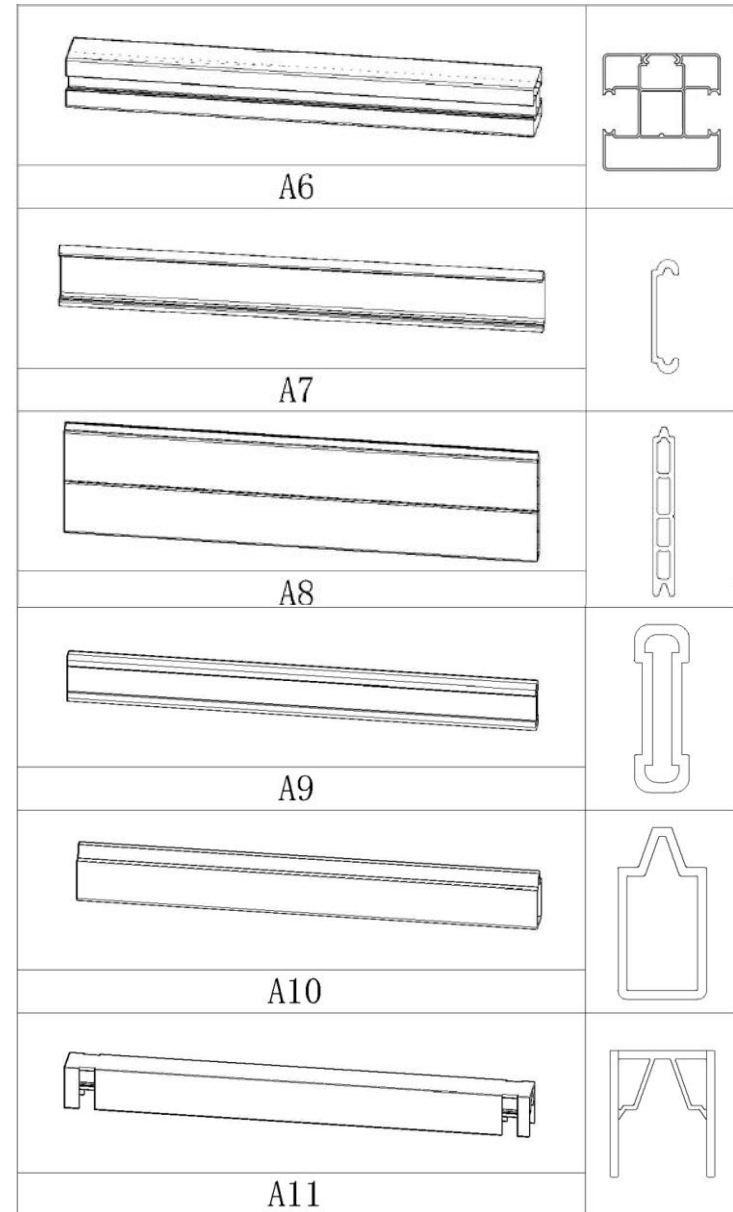
**Have an Issue or Question? Contact us first at:**

**[Support@Frameitall.com](mailto:Support@Frameitall.com) or (800) 914-9835**

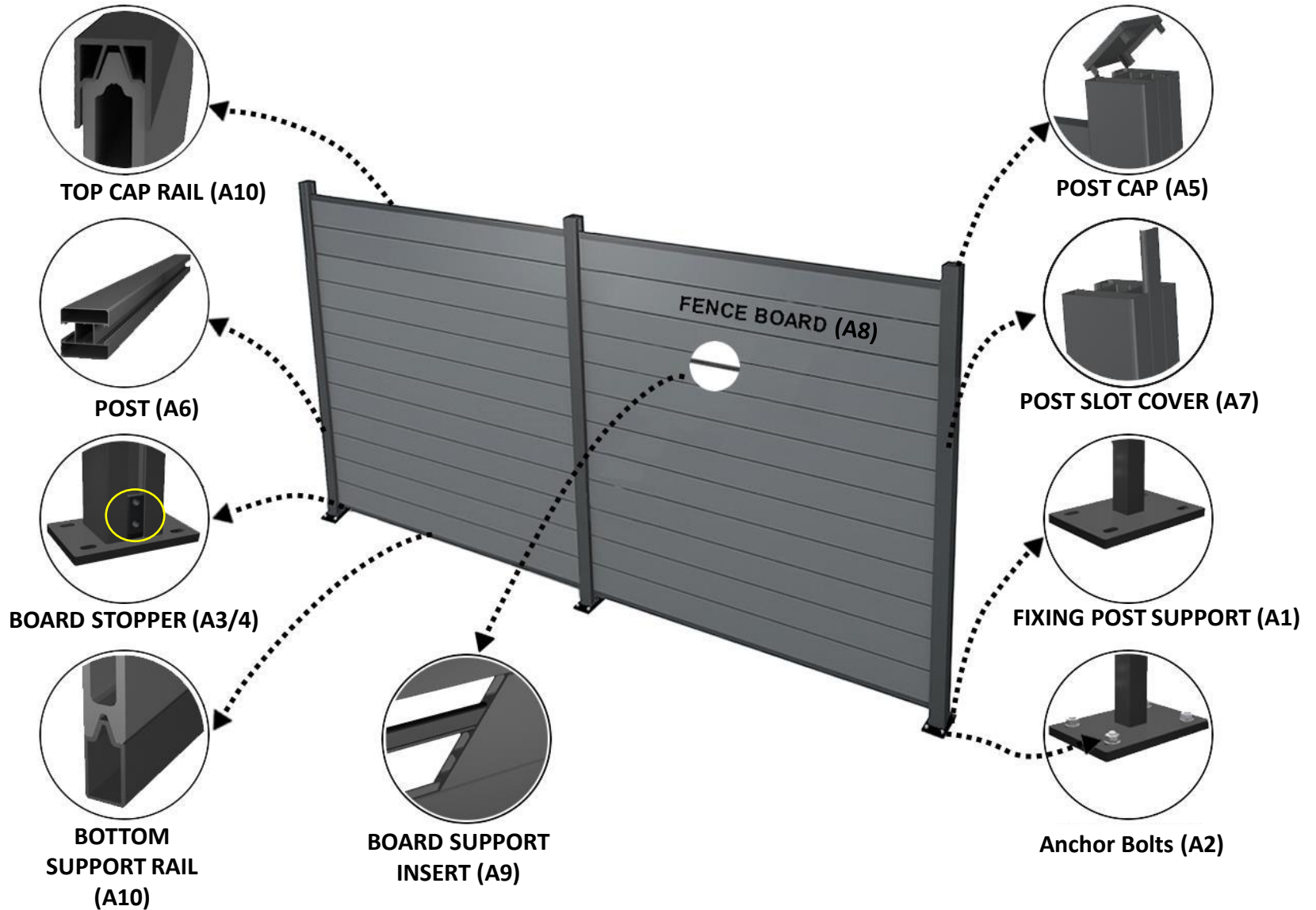
# Components



\* Components necessary for hard surface installation



**Have an Issue or Question? Contact us first at:**  
**[Support@Frameitall.com](mailto:Support@Frameitall.com) or (800) 914-9835**



**Have an Issue or Question? Contact us first at:**  
**[Support@Frameitall.com](mailto:Support@Frameitall.com) or (800) 914-9835**

## **MATERIAL AND TOOLS FOR INSTALLATION**

- Level
- Line
- Tape measurement
- Concrete Drill with 3/8” masonry bit (FOR CONCRETE INSTALLATION)
- M12 anchors & screws (FOR CONCRETE INSTALLATION)
- Pen/marker
- Hammer/Mallet
- PPE (Safety Gloves, Goggles)
- Power Drill with 3/16” drill bit
- Concrete
- Post Hole Digger or Power Auger
- Spade Shovel
- Stakes

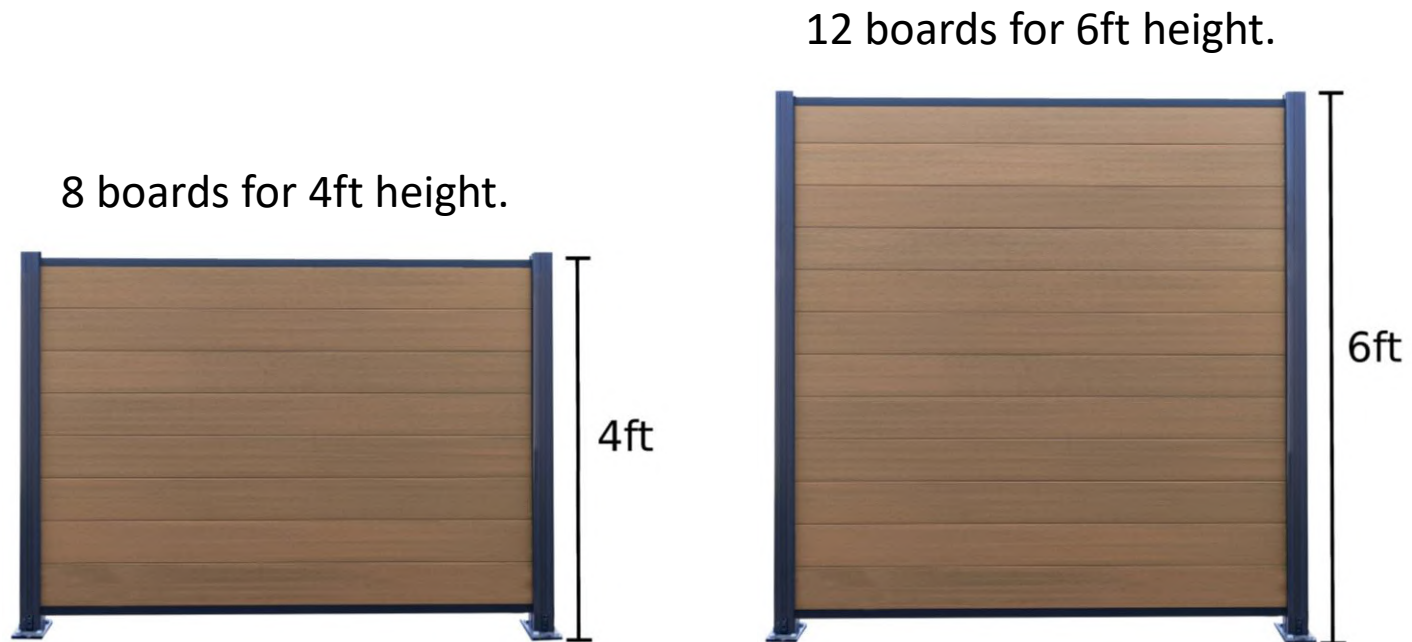
For hard surface installation, we strongly advise you to install the Fixing Post Support on a flat and solid concrete slab, minimum 8 inches width.

Do not install fixing post support on concrete block.

**Have an Issue or Question? Contact us first at:**  
**[Support@Frameitall.com](mailto:Support@Frameitall.com) or (800) 914-9835**

The Horizontal Fence Post will measure 8ft in height by default. The post can be cut down to size using a circular saw blade. We recommend using a 60-tooth circular carbide saw blade. The post slot covers can be cut down in the same way.

When installing the horizontal fence boards, 2 boards are required for each foot of fence height.



**Have an Issue or Question? Contact us first at:**  
**[Support@Frameitall.com](mailto:Support@Frameitall.com) or (800) 914-9835**

# Table of Contents

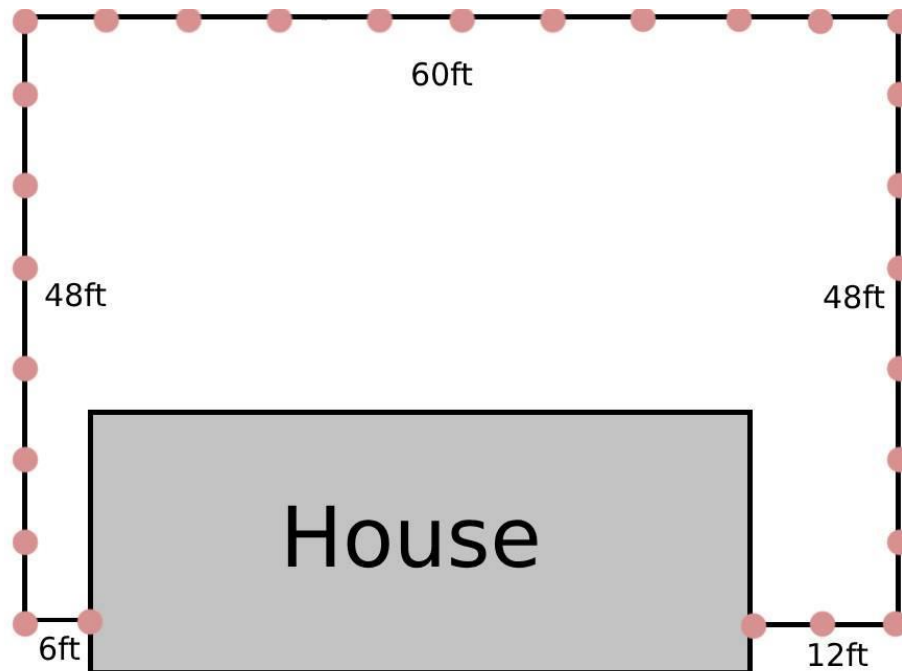
- 8 Draw the layout of your fence
  - (A) Hard Surface Installation on Concrete
- 9 Install the Fixing Post Supports
- 10 Pre-drill holes for Board Stopper
- 11 Install the Post and Board Stopper
- 12 Install the Bottom Support Rail and Horizontal Boards
- 13 Insert the Top Cap Rail and Post Cap
  - (B) Installation In-Ground Concrete Footing
- 14 Marking the Fence Perimeter
- 15 Dig the Post Hole
- 16 Fill the Post Hole with Gravel
- 17 Install the Board Stopper
- 18 Position the Post
- 19 Secure the Post with Concrete
- 20 Install the Bottom Support Rail and Horizontal Boards
- 21 Insert the Top Cap Rail and Post Cap
  - (C) Extending Post for Deeper Frost Lines
- 23-24 Maintenance – Fence Board and Aluminum Posts
- 25 Frequently Asked Questions

**Have an Issue or Question? Contact us first at:**  
[Support@Frameitall.com](mailto:Support@Frameitall.com) or (800) 914-9835

Before securing any posts or making any cuts to your material, first identify the property limits and establish the perimeter of your fencing.

Determine the length of each fence run. Horizontal Boards can be cut to size for fence runs that are not divisible by the default 6ft length of the panels.

Determine the distance between each post. Mark all gate placements and consider the swing path of the gate door.



**Have an Issue or Question? Contact us first at:**  
[Support@Frameitall.com](mailto:Support@Frameitall.com) or (800) 914-9835

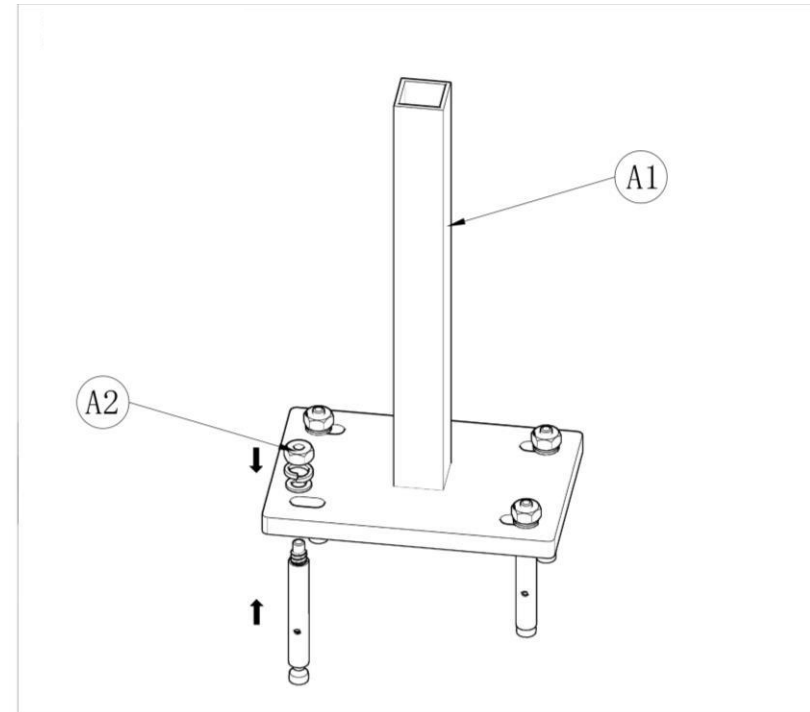


## **(A) INSTALLATION WITH FIXING POST SUPPORT ON CONCRETE SLAB**

Position the first fixing post support (A1).

Mark all 4 holes with a marker and drill 4 inches into the concrete using a masonry drill bit (10mm or 3/8"). The concrete slab that you are installing onto should be a minimum of 8" in width.

Fasten each anchor bolt (A2) to the fixing post support by removing the nut and washers from the bolt, then threading the bolts through the bottom of the fixing post support. Fasten each anchor bolt to the support using the nut and washers. Once all 4 bolts are secured to the fixing post support hammer all in, one strike at a time each to keep the support level as it goes into the ground.



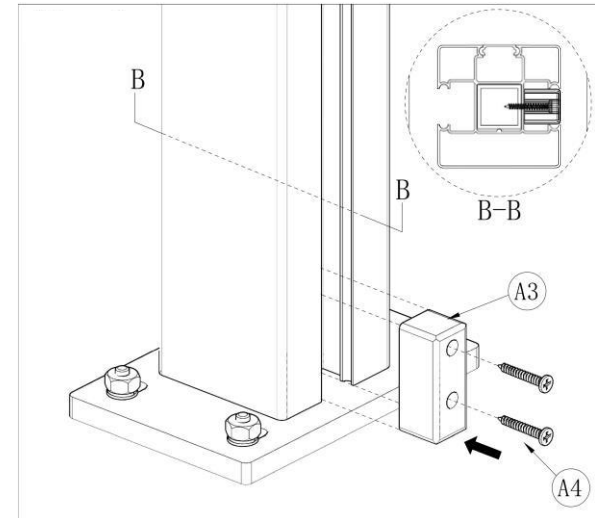
Repeat this process to secure the second fixing post support to the ground.

It is essential to have an 1800 mm (71") gap (+/- 5mm or 0.2 inches) on center between the two fixing post supports.

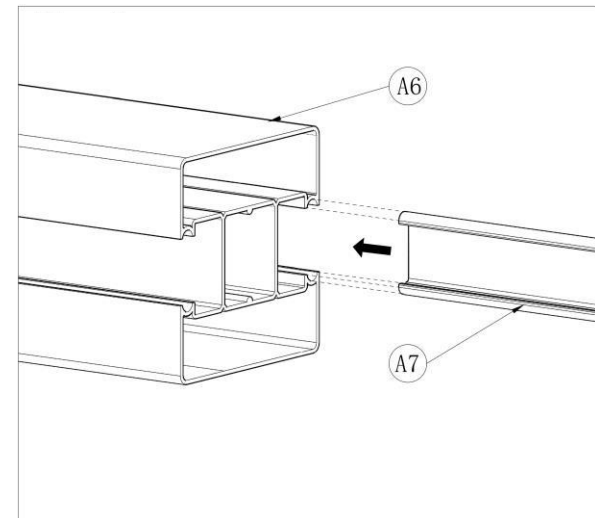
**Have an Issue or Question? Contact us first at:**  
**[Support@Frameitall.com](mailto:Support@Frameitall.com) or (800) 914-9835**

## **(A) INSTALLATION WITH FIXING POST SUPPORT ON CONCRETE SLAB**

Use the board stopper (A3) to mark holes on the aluminum post and fixing post support. Then using the marks, pre-drill holes into the post and fixing post support.



If this post will be an end section or corner post, insert a post slot cover (A7) into the appropriate slot.

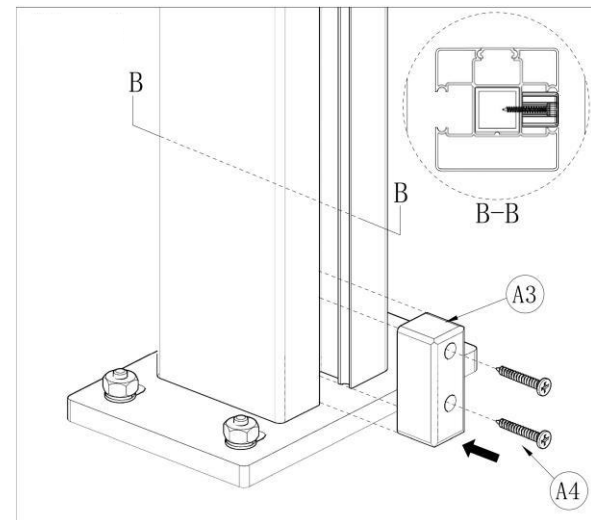
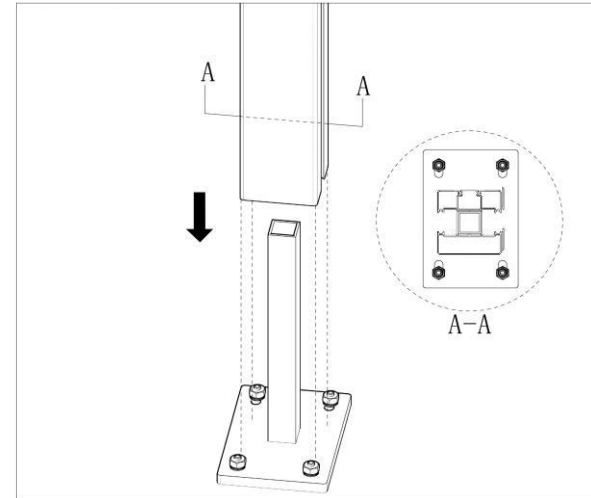


**Have an Issue or Question? Contact us first at:**  
**[Support@Frameitall.com](mailto:Support@Frameitall.com) or (800) 914-9835**

## **(A) INSTALLATION WITH FIXING POST SUPPORT ON CONCRETE SLAB**

Insert the two posts onto the supports. The posts must be plumb.

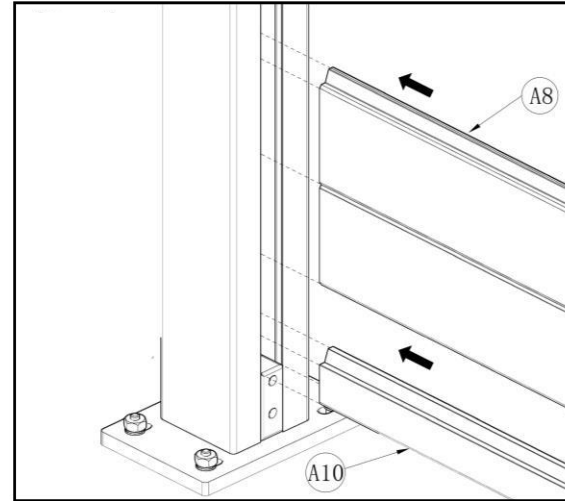
With the screws provided (A4), screw in the board stopper through both the post and fixing post support (Figure B-B).



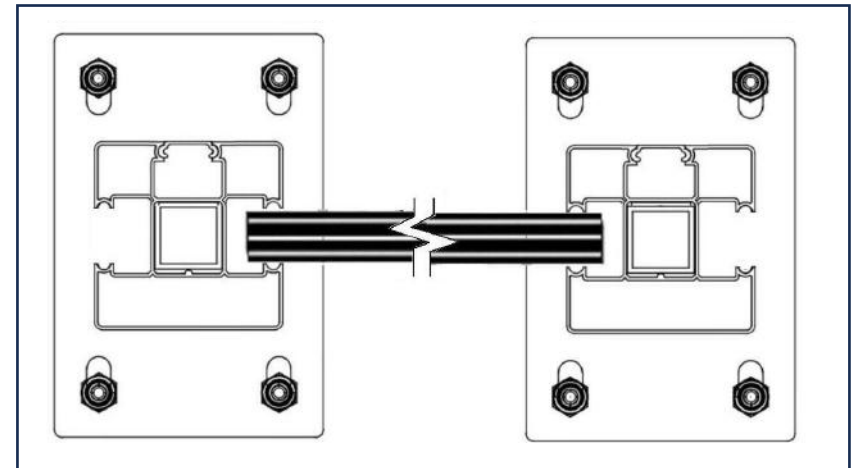
**Have an Issue or Question? Contact us first at:**  
**[Support@Frameitall.com](mailto:Support@Frameitall.com) or (800) 914-9835**

## **(A) INSTALLATION WITH FIXING POST SUPPORT ON CONCRETE SLAB**

Once your posts are secured, insert the bottom support rail (A10) into the slots of your posts until it rests on the board stopper.



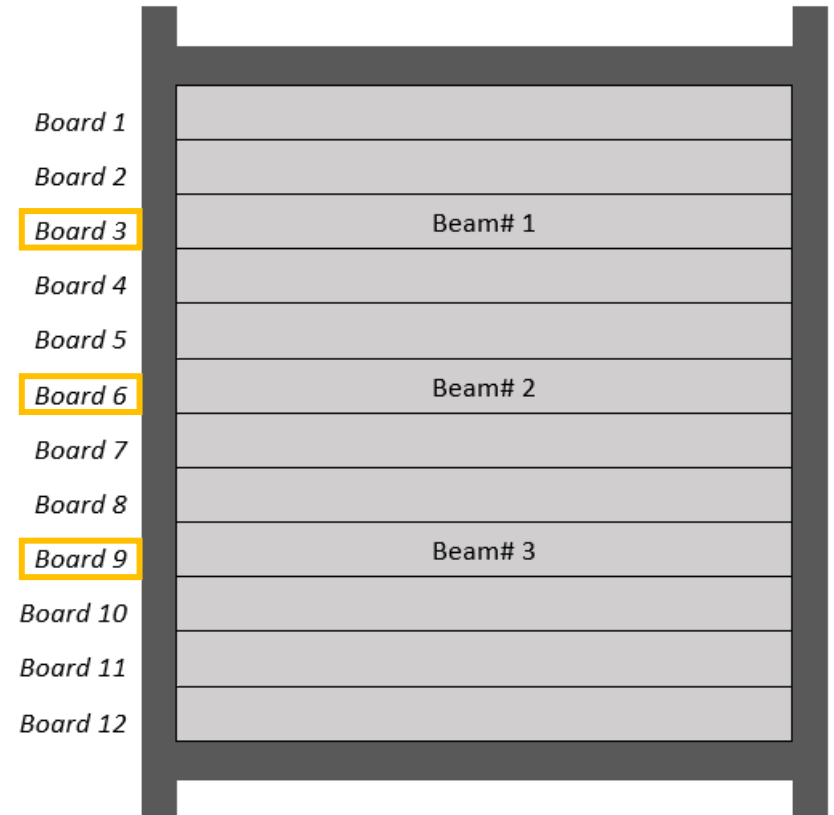
Then, slide the boards (A8) into the slots of the post. Each board should nest into the one below it. When installing the boards, it is necessary to leave a gap of 9mm | 0.3 inches between the fence board and the center rib of the posts on each side (see the figure on right).



**Have an Issue or Question? Contact us first at:**  
**[Support@Frameitall.com](mailto:Support@Frameitall.com) or (800) 914-9835**

## (A) INSTALLATION WITH FIXING POST SUPPORT ON CONCRETE SLAB

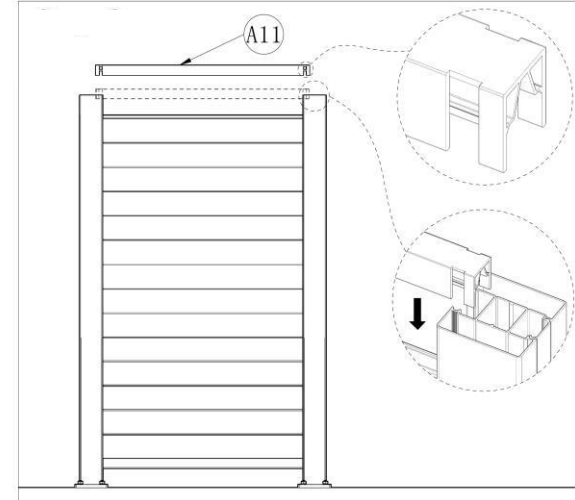
In a 12 Horizontal Board Pack, 3 of the boards will come with a Metal Support Insert (A9). Follow the board layout on the right for where to insert these metal support boards for maximum fence panel strength.



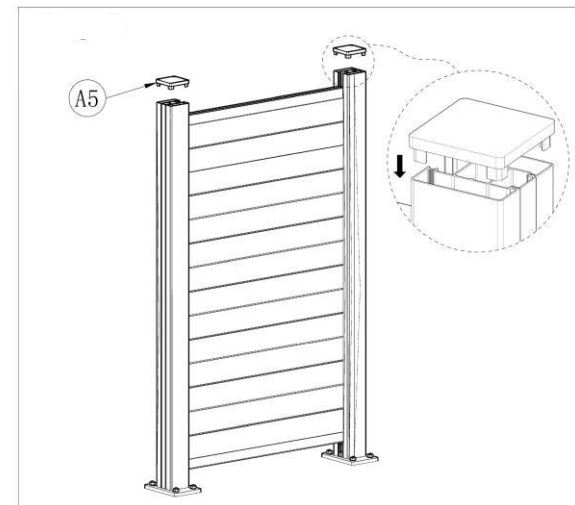
Have an Issue or Question? Contact us first at:  
[Support@Frameitall.com](mailto:Support@Frameitall.com) or (800) 914-9835

## **(A) INSTALLATION WITH FIXING POST SUPPORT ON CONCRETE SLAB**

After you've placed your final fence board, insert the top cap rail (A11) into the slots of the posts. This cap rail should lock in place as shown on the right.



Finally, install the post caps (A5) to lock in the top cap rail and horizontal fence boards.



**Have an Issue or Question? Contact us first at:**  
**[Support@Frameitall.com](mailto:Support@Frameitall.com) or (800) 914-9835**

## **(B) INSTALLATION IN-GROUND CONCRETE FOOTING**

FOR IN-GROUND CONCRETE FOOTING INSTALLATION, WE RECOMMEND  
TWO (2) PEOPLE

Post installation in a concrete footing must be done with care.  
We recommend using a fast-setting concrete.

Begin by identifying your property limits and establishing the perimeter of your fence. Determine the length of each fence run and mark the distance between each post. Make sure to create an 1800mm (5.9 ft) spacing (+/- 5mm or 0.2 inches) between each post on center.

Mark the perimeter of your fence by placing stakes around your perimeter and tightening a line around them. Then, beginning at your first post hole, use a tape measure to mark each post hole location.

Note: For non-90 ° angle corners, use 2 posts in the post hole and size hole appropriately.

**Have an Issue or Question? Contact us first at:**  
[Support@Frameitall.com](mailto:Support@Frameitall.com) or (800) 914-9835

## (B) INSTALLATION IN-GROUND CONCRETE FOOTING

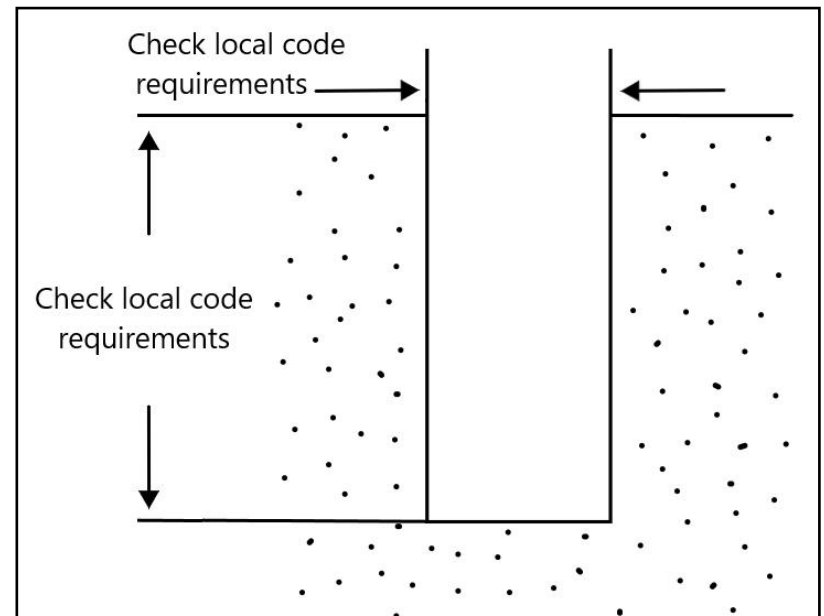
Before digging any post holes, make sure you are abiding local code requirements for exact post hole width and depth guidelines. The diameter of the hole should be a minimum of 12 Inches and the depth should be a minimum of 20 Inches.

Dig the post hole using an Augur Drill or other Post Hole digger.

While digging the post holes, be sure to keep your Post Hole digging tool straight and vertical.

**Note:** Do not pour concrete at this step.

**Reminder:** Call 811 before digging post holes to avoid damaging underground utilities.



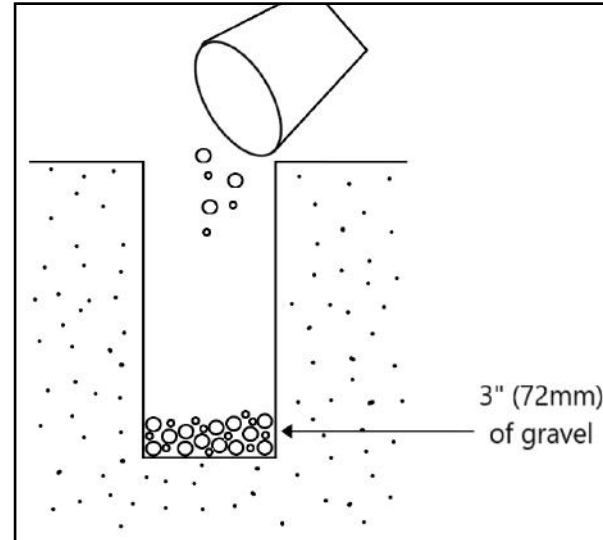
Have an Issue or Question? Contact us first at:  
[Support@Frameitall.com](mailto:Support@Frameitall.com) or (800) 914-9835



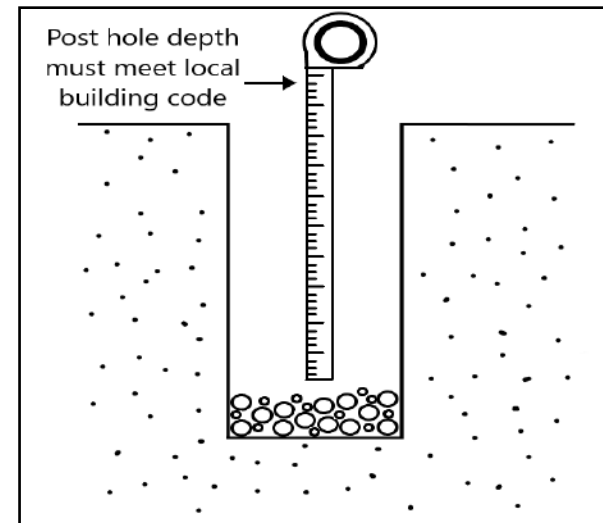
## (B) INSTALLATION IN-GROUND CONCRETE FOOTING

Pour 3" (72mm) of gravel into the post holes to allow drainage.

Compact the gravel into the hole and ensure a level surface.



Confirm that the depth of your post hole are consistent and comply with local building code. Adjust depth if needed.



**Have an Issue or Question? Contact us first at:**  
[Support@Frameitall.com](mailto:Support@Frameitall.com) or (800) 914-9835

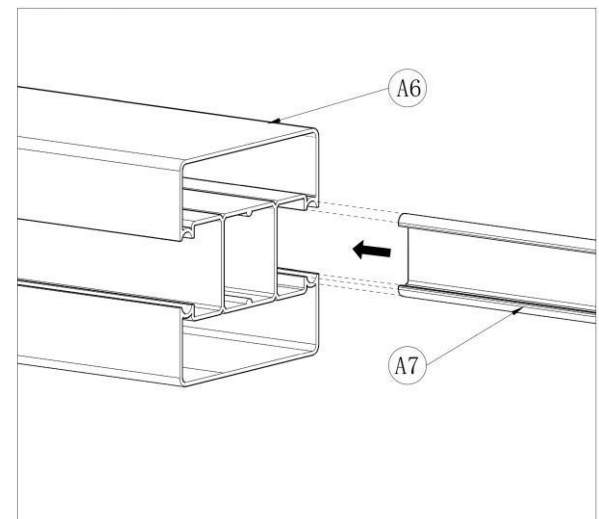
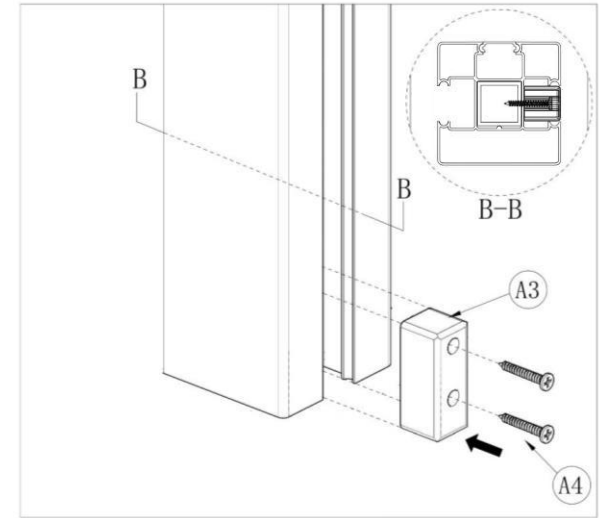
## **(B) INSTALLATION IN-GROUND CONCRETE FOOTING**

Before placing the posts into the holes, the board stopper (A3) and Post Slot Cover (A7) need to be installed onto the post.

Use the board stopper (A3) to mark holes on the aluminum post.

Then using the marks, pre-drill holes into the post and secure the board stopper with the screws provided (A4). The board stopper must be above ground. Take care to precisely measure to portion of post that will be underground and install board stopper appropriately. The position of the board stopper must be consistent across all posts and will determine the amount of space under your fence panels.

If this post will be an end section or corner post, insert a post slot cover (A7) into the appropriate slot.



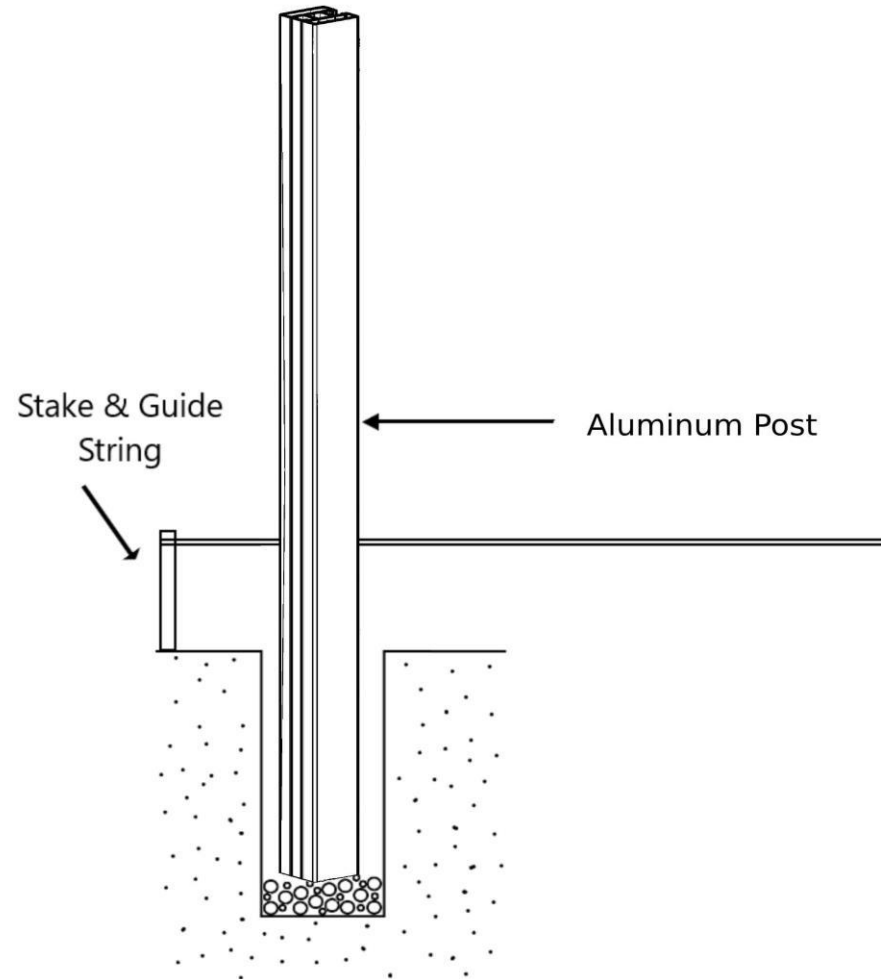
**Have an Issue or Question? Contact us first at:**  
**[Support@Frameitall.com](mailto:Support@Frameitall.com) or (800) 914-9835**

## (B) INSTALLATION IN-GROUND CONCRETE FOOTING

Use your string perimeter to guide the placement of each post.

Once again, ensure that your spacing between posts is 1800mm (5.9ft) (+/- 5mm or 0.2 inches) on center and that your board stopper is above ground level and consistent across all posts.

Before pouring concrete ensure that your post is plumb.



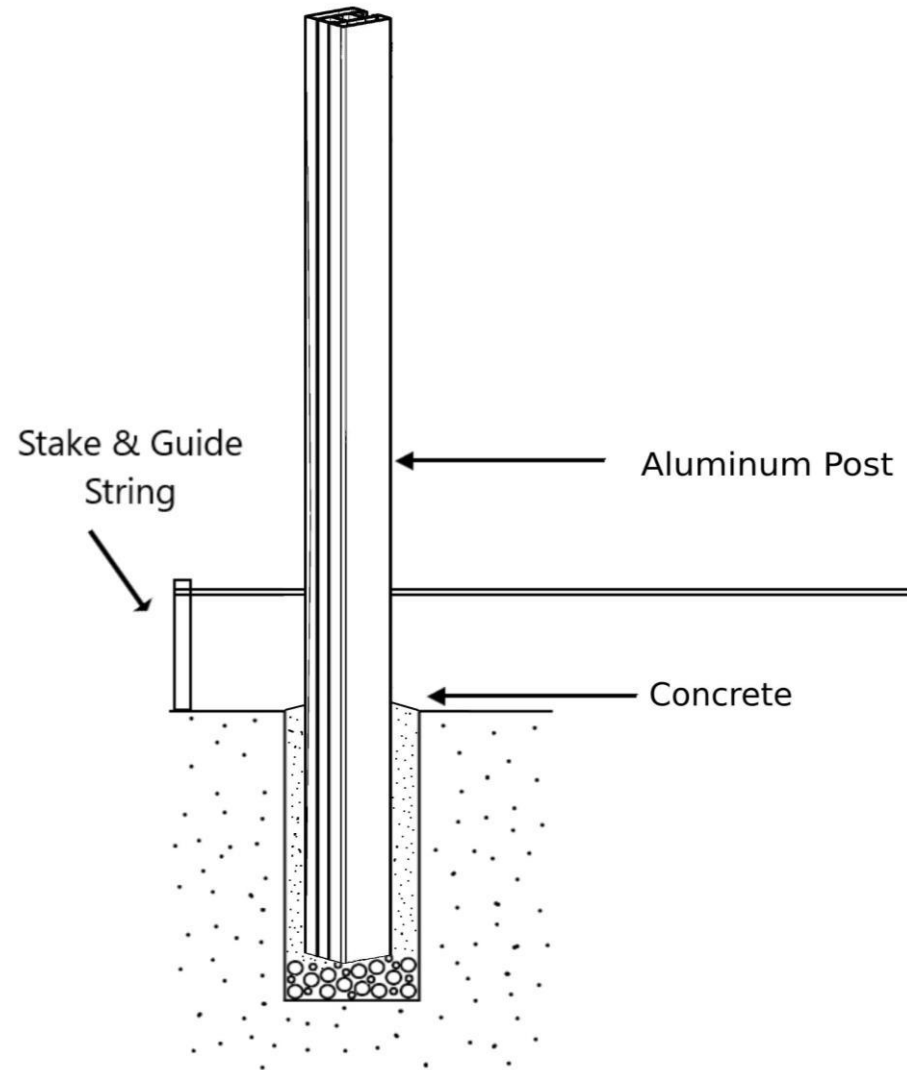
**Have an Issue or Question? Contact us first at:**  
[Support@Frameitall.com](mailto:Support@Frameitall.com) or (800) 914-9835

## (B) INSTALLATION IN-GROUND CONCRETE FOOTING

Once the post is positioned in the hole, pour concrete into the hole. Dome the concrete around the post to prevent water pooling over time.

Take this time before the concrete completely hardens to make any last adjustments to ensure the post is plumb.

Tip: Wait until the concrete has completely cured before installing the rails or horizontal fence boards.

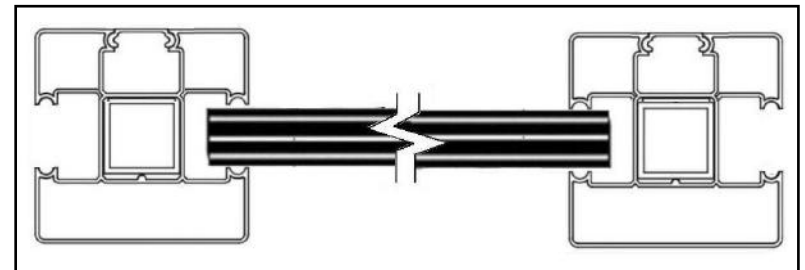
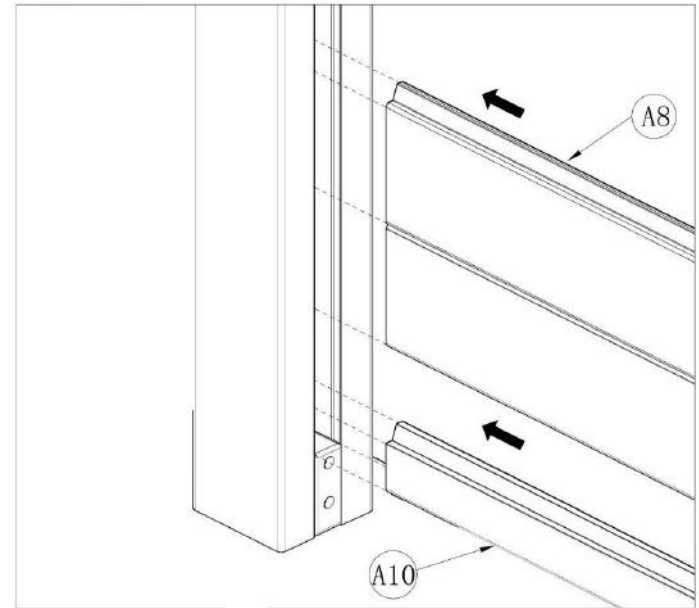


**Have an Issue or Question? Contact us first at:**  
[Support@Frameitall.com](mailto:Support@Frameitall.com) or (800) 914-9835

## **(B) INSTALLATION IN-GROUND CONCRETE FOOTING**

Once your posts are secured, insert the bottom support rail (A10) into the slots of your posts until it rests on the board stopper.

Then, slide the boards (A8) into the slots of the post. Each board should nest into the one below it. When installing the boards, it is necessary to leave a gap of 9mm | 0.3 inches between the fence board and the center rib of the posts on each side (see the figure on right).



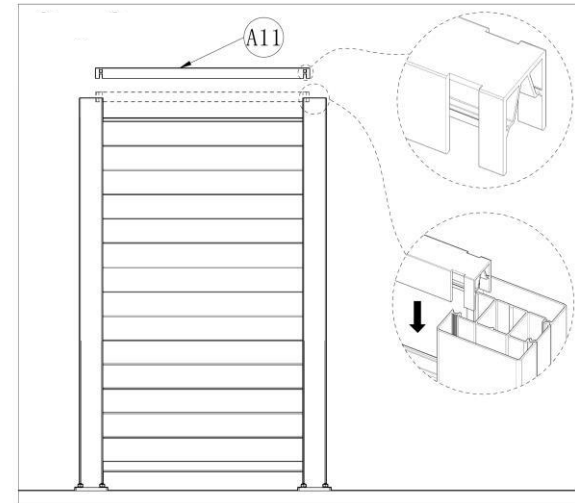
**WARNING:**

**DO NOT INSTALL BOARDS UNDER THE GROUND  
OR HAVE THE BOARDS TOUCH THE GROUND.**

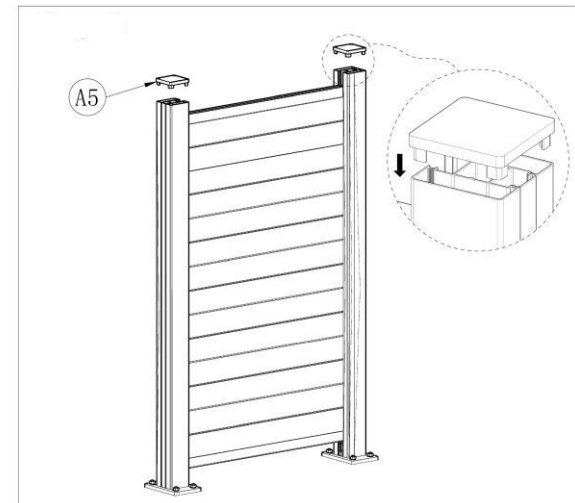
**Have an Issue or Question? Contact us first at:**  
**[Support@Frameitall.com](mailto:Support@Frameitall.com) or (800) 914-9835**

## **(B) INSTALLATION IN-GROUND CONCRETE FOOTING**

After you've placed your final fence board, insert the top cap rail (A11) into the slots of the posts. This cap rail should lock in place as shown on the right.



Finally, install the post caps (A5) to lock in the top cap rail and horizontal fence boards.



**Have an Issue or Question? Contact us first at:**  
**[Support@Frameitall.com](mailto:Support@Frameitall.com) or (800) 914-9835**

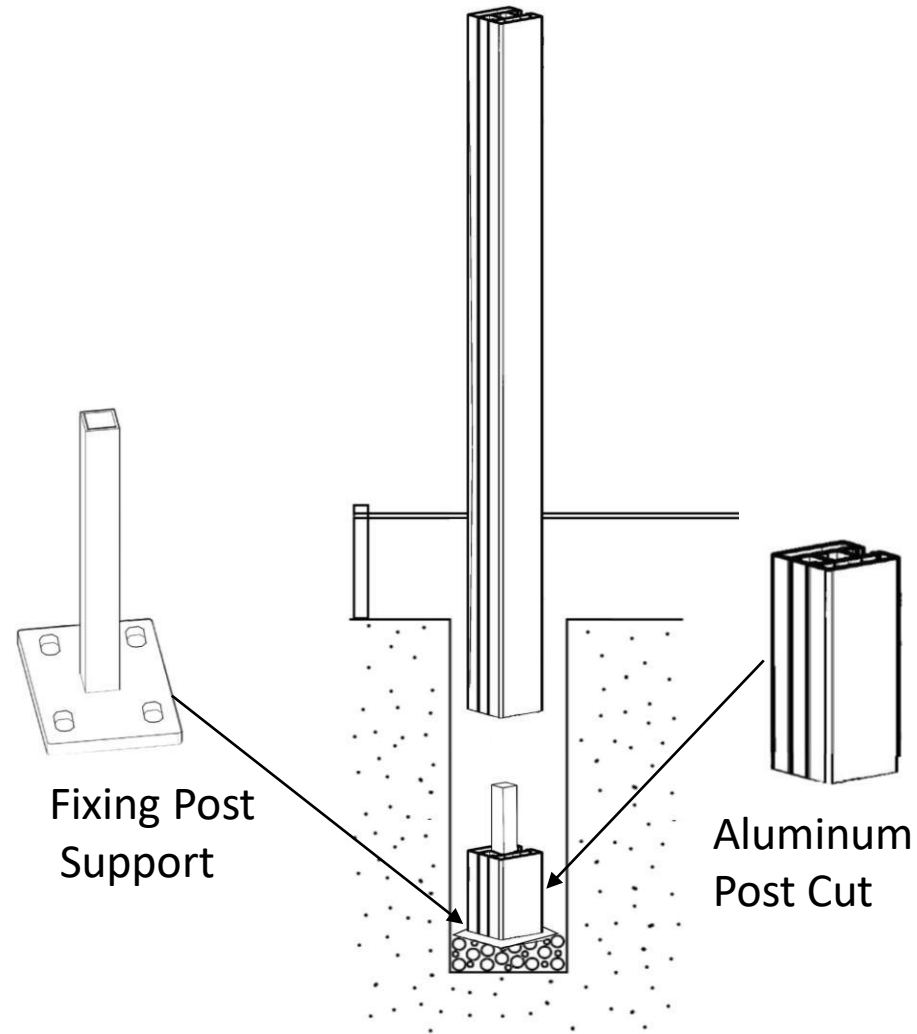
## **(C) Extending Post for Deeper Frost Lines**

For a 6ft fence installation with a frost line deeper than 2ft, the post can be extended deeper into the ground using a Fixing Post Support (A1) and a cut piece of aluminum post.

The Fixing Post Support extends up into the post 2ft. The Aluminum Post Cut should be no longer than 12". This will allow for a minimum remainder of 6" of Fixing Post Support to be inserted into the 8ft Aluminum Post.

The Aluminum Post can be cut using a 60-tooth Carbide Circular Saw Blade.

Once the Fixing Post Support and Aluminum Post Cut are inserted in the post hole, continue with standard installation.



**Have an Issue or Question? Contact us first at:**  
**[Support@Frameitall.com](mailto:Support@Frameitall.com) or (800) 914-9835**

## MAINTENANCE – FENCE BOARD

Little maintenance is required for Frame it All Cap Composite fence boards, besides cleaning 1-2 times a year with water and soap.

- For a standard washing, use soft detergent and water.
- If mold / mildew appears on the boards, clean with a product containing chlorine bleach.
- For oil and grease stain, wash immediately with a degreasing agent.
- Do not use solvent-based material. Do not stain, oil or paint the fence boards.

**Have an Issue or Question? Contact us first at:**  
**[Support@Frameitall.com](mailto:Support@Frameitall.com) or (800) 914-9835**



## MAINTENANCE – ALUMINUM PARTS

- These parts do not require any specific maintenance.
- Do not use any acid-based product or solvents which can affect the posts paint surface.
- All metal parts are aluminum alloy and do not rust. You can maintain them with gentle cleansing products safe for aluminum.

**Have an Issue or Question? Contact us first at:**  
**[Support@Frameitall.com](mailto:Support@Frameitall.com) or (800) 914-9835**

## Frequently Asked Questions

- **Who do I contact for missing or damaged pieces?**

Contact Frame it All directly by emailing a complete list of missing and damaged pieces with your name, shipping address, and original order number.

- **Need extra pieces due to installation error?**

Visit <https://frameitall.com/products/horizontal-cap-composite-fence> or contact [Support@Frameitall.com](mailto:Support@Frameitall.com) for additional part requests.

- **Where can I view the warranty policy for Frame it All Fencing and how do I register my product?**

The Frame it All Composite Fence Warranty can be viewed at

<https://frameitall.com/pages/warranty> and clicking the “Composite Fence Warranty” option at the top of the page. You can register your product for warranty by emailing [Support@Frameitall.com](mailto:Support@Frameitall.com) with your Full name, Phone number, Address, Order Number, Product Purchased, and Proof of Purchase. Product can be registered for Warranty within 90 days of delivery.

- **What are the benefits of Cap Composite Fencing?**

Cap Composite never requires any painting or staining and resist color fading from the sun. The composite mixture is made of recycled plastic and sustainably sourced hardwood fiber. This mixture makes Frame it All Fence Boards resistant to pests, mold, and rot, lasting much longer than other materials such as wood or vinyl.

**Have an Issue or Question? Contact us first at:**

**[Support@Frameitall.com](mailto:Support@Frameitall.com) or (800) 914-9835**

## How Can We Help?

**Have an Issue or Question?  
Contact us first at:  
[Support@Frameitall.com](mailto:Support@Frameitall.com) or  
**(800) 914-9835****

Frame it All Support Representatives are available  
8:30AM to 4:30PM EST Monday – Friday

Please let us know if you have any questions or  
issues; we're always Happy to Help!

**Please leave a Review!**



Scan the QR Code and select the option to Write a Review!  
Thank you so much for choosing Frame it All for your Project!

**Have an Issue or Question? Contact us first at:**  
[Support@Frameitall.com](mailto:Support@Frameitall.com) or (800) 914-9835

# Like our Fencing, then you'll love our line of Garden Products



Scan the QR Code for our full selection of  
Composite Raised Garden beds!

Have an Issue or Question? Contact us first at:  
[Support@Frameitall.com](mailto:Support@Frameitall.com) or (800) 914-9835

## Follow Us on **Social Media!**



Scan the QR Code to be taken to our various  
Social Media Pages!

Have an Issue or Question? Contact us first at:  
[Support@Frameitall.com](mailto:Support@Frameitall.com) or (800) 914-9835