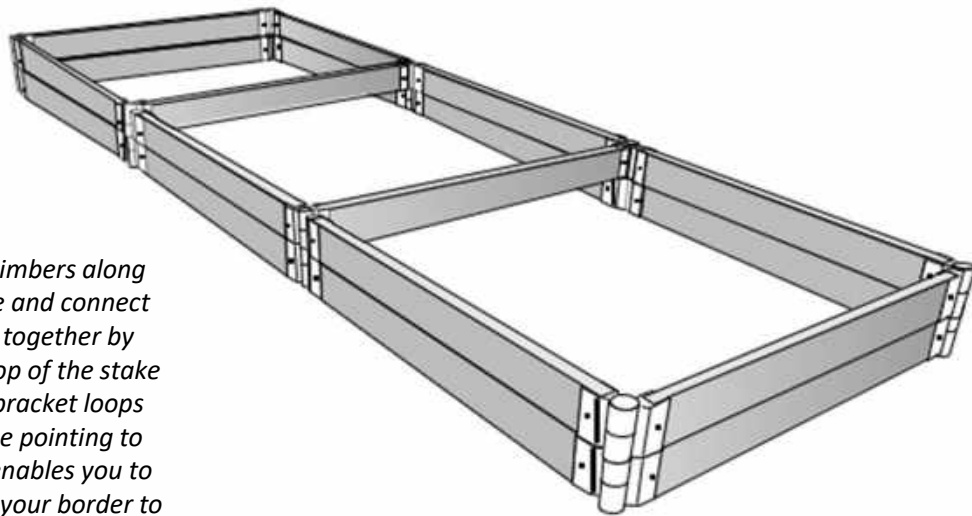


RAISED GARDEN BED

4' x 12'



Layout your timbers along the borderline and connect each timber together by inserting the top of the stake through the bracket loops with the stake pointing to the sky. This enables you to freely position your border to get your desired location.

KIT CONTAINS:



Tools needed: Hammer (to tap stake in place), Hackshaw (optional)

ASSEMBLY INSTRUCTIONS

STEP 1: Assemble 12 x Doubled-Bracket Timbers (A)

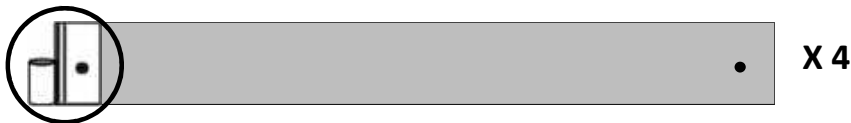
Attach one single stacking bracket to each end of timbers (one facing up, one facing down – shown below)



You will need 8 (A) Timbers for the 1st (base) level and 4 (A) Timbers for the 2nd level.

STEP 2: Assemble 4 x Singled-Bracket Timbers (B)

Attach one single stacking bracket to only one end of timbers.



You will need 4 (B) Timbers for the 2nd level.

STEP 3: Assemble 2 x Cross-Bracket Timbers (C)

Attach one 4-way bracing bracket to each end of timbers.



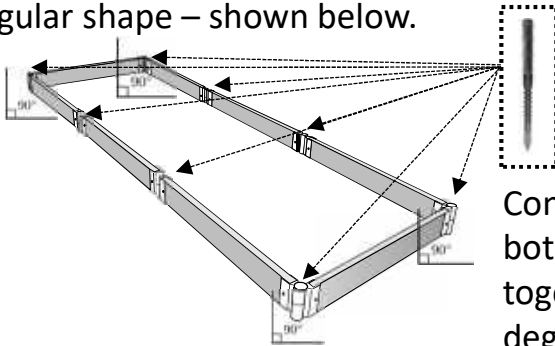
You will need 2 (C) Timbers for the 2nd level.

PLUGS

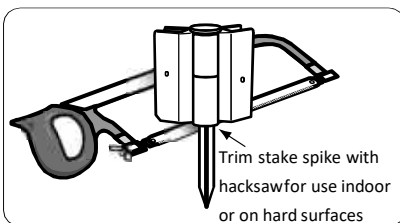


Use plugs (included) to cover the holes on both side of timbers

STEP 4: Arrange 8 (A) Timbers to create the base level of your garden in a straight rectangular shape – shown below.



Connect end brackets. Insert one stake through both end brackets to lock all 8 timbers together. Be sure all four corners are at a 90-degree angle before securing into the ground.

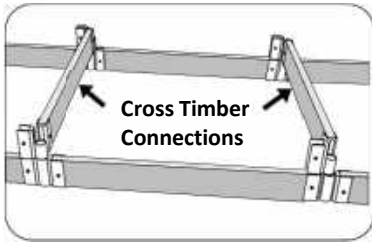


Note:

If you plan to assemble raised bed on a hard surface, use hacksaw to remove the spike of each stake. Use these cut down stakes for the base level only of your raised garden.

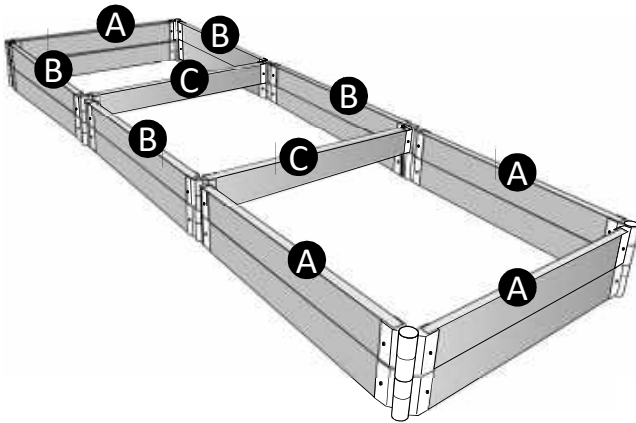
ASSEMBLY INSTRUCTIONS

STEP 5: To create 2nd level, place Cross-Bracket Timbers (C) on top of the 1st level,



then add a Single-Bracket Timber (A) on each end (refer to diagram below).

To complete the 2nd level, place Single-Bracket Timber (B) with one bracket to complete the sides and secure the unbracketed timber sides into the channel of the 4-way bracing bracket – see diagram below.



STEP 6: Insert a stake through the brackets into the hole on the top of the stake beneath it to lock the 2nd level in place.

STEP 7: Add the caps to each of the top corner joints and plugs to cover the holes on both side of timbers.

HAPPY GARDENING!!

How the Joints Work

