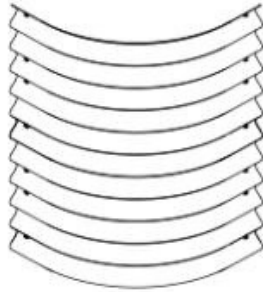


CONTENTS



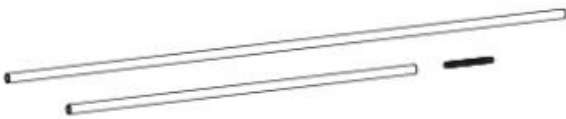
Side Panel
x8



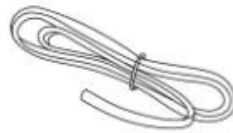
Corner Panel
x4



Cap, Bolt, Washer
Set x84



Bracing Rod
x4



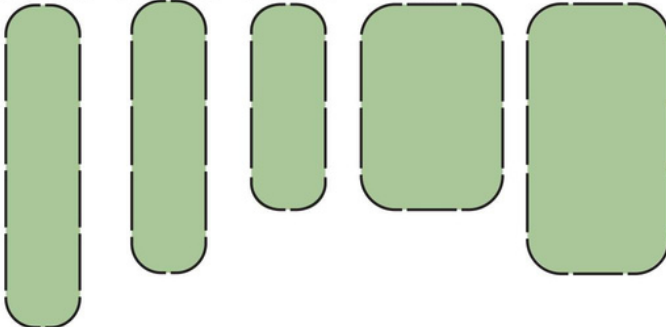
Rubber Edging
Strip x1



Hand wrench
x1

CONFIGURATION

(V2) 8ft X 2ft 12 pieces
(V4) 6.5ft X 2ft 10 pieces
(V7) 5ft X 2ft 8 pieces
(V5) 5ft X 3.5ft 10 pieces
(V1) 6.5ft X 3.5ft 12 pieces

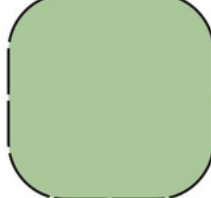
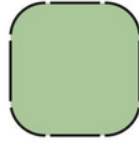
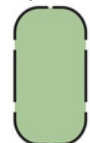


(V9) 2ft X 2ft 4 pieces

(V8) 3.5ft X 2ft 6 pieces

(V6) 3.5ft X 3.5ft 8 pieces

(V3) 5ft X 5ft 12 pieces



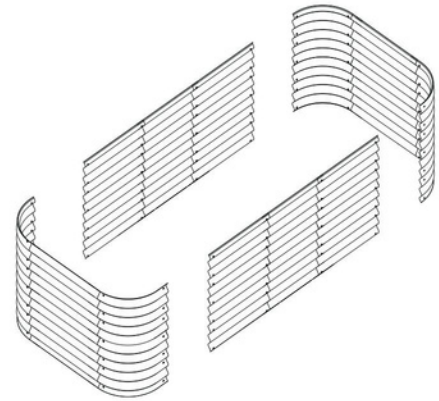
Configuration Cubic Yards

V1	2.12
V2	1.48
V3	2.32
V4	1.20
V5	1.60
V6	1.12
V7	0.88
V8	0.60
V9	0.32

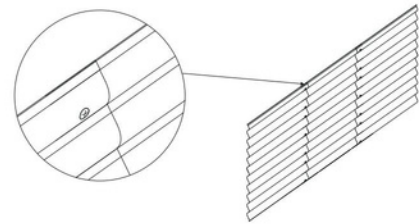
ASSEMBLY GUIDE

Caution: Metal panels have sharp edges and may cause injury. Using protective gear (gloves, closed toed shoes, etc.) is recommended.

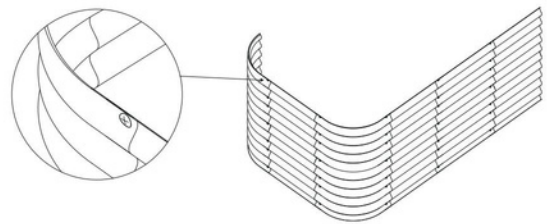
1. Remove protective films from both sides of panels and lay in desired configuration on a flat surface (Be mindful that paint may scratch if laid on rough surfaces).



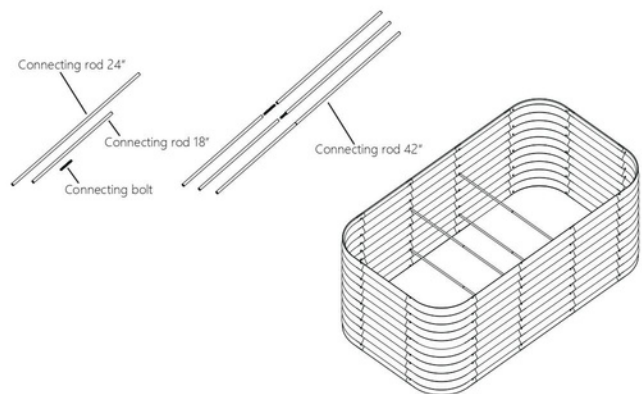
2. Loosely, assemble all straight panels with the bolt, washer and nut. Use the hand wrench to tighten.



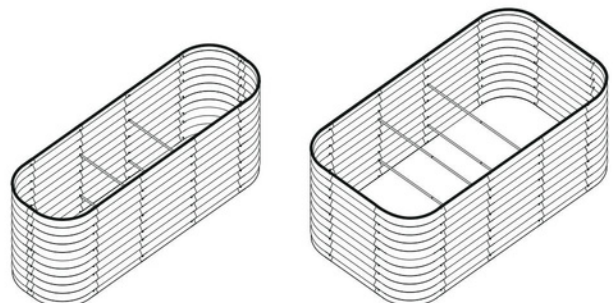
3. Attach corner panels on the outside of the straight panels and tighten all nuts.



4. Remove nuts and insert appropriately sized bracing rod (2' or 3.5'). Rods should be positioned on the 3rd row from the top and 2nd row from the bottom, near the centre of the box.



5. Push on rubber edging to the top edge of the box and cut off remainder.



Bracing Rod Instructions

6 in 1 Kit Includes

- 2 x 24" Bracing Rods
- 2 x 18" Bracing Rods
- 2 x Connecting Bolts

9 in 1 Kit Includes

- 4 x 24" Bracing Rods
- 4 x 18" Bracing Rods
- 4 x Connecting Bolts

