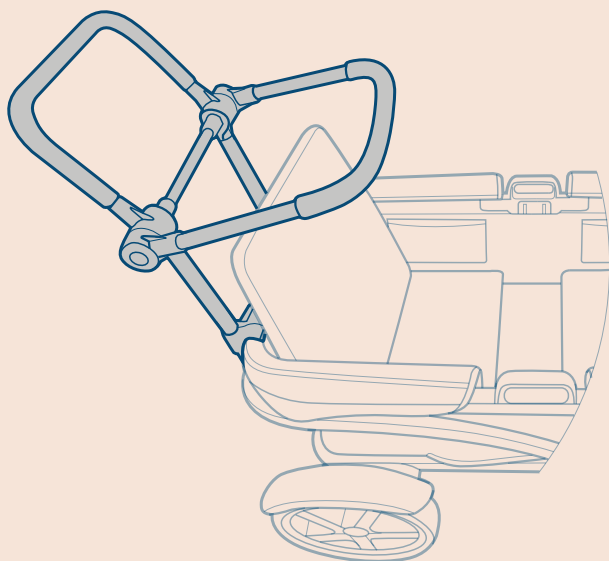


# Anthem

## Rear ICS Adapter (w/beach rack)



Read all instructions before assembling and using product.  
IMPORTANT - Keep instructions for future use.

# Contents

EN

## Product Information

Product Registration	3
Warranty	3
Contact	3

## Warnings

4

## Parts List

6

## Lower Frame Bracket Assembly

8

## Rear ICS Adapter Assembly

12

## Infant Car Seat Mode

18

## Beach Rack Mode

22

## Removing the Rear ICS Adapter

24

## Cleaning and Maintenance

30

## Learn More About Us!

31

# Product Information

EN

## Warranty

Gladly Family warrants this product to be free from defects in material or workmanship for a period of one year from the date of purchase when used by the original owner according to the manufacturer's instructions.

The warranty does not apply to damage caused by product alteration, customer/user misuse or abuse of the product. Please have the proof of purchase and model number when you contact us.

## Contact

For replacement parts, service, or additional warranty questions, please contact our customer service department:

Email: [info@gladlyfamily.com](mailto:info@gladlyfamily.com)

Website chat function at [gladlyfamily.com](http://gladlyfamily.com)

Phone: (617) 336-6178

# ⚠️ WARNING

Failure to follow these warnings and instructions could result in serious injury or death.

Read all instructions **BEFORE** assembly and **USE** of product. **KEEP INSTRUCTIONS FOR FUTURE USE.**

## SETUP AND USE

- THIS PRODUCT REQUIRES ADULT ASSEMBLY.
- NEVER LEAVE CHILDREN UNATTENDED. Always keep children in view.
- Before each use, check to make sure the locking devices and connections for the wagon frame, seats and Rear ICS Adapter are engaged.
- Make sure the Rear ICS Adapter is in the lowest position for use with the infant car seat. Use of the infant car seat in any other position may result in serious injury or death.
- Always make sure the wagon is fully open and locked before use.
- AVOID INJURY AND FINGER ENTRAPMENT: Use care when folding and unfolding the wagon or Rear ICS Adapter. Keep children at a safe distance until the wagon or Rear ICS Adapter is fully opened and latched.
- THIS IS NOT A TOY: DO NOT allow children to play with this product.
- The brake must be locked while taking a child in or out of the infant car seat, or removing the infant car seat from the Rear ICS Adapter.
- FALL HAZARD - Avoid serious injury from falling or sliding out. Always use the infant car seat harness restraint system. See the manufacturer's infant car seat instructions for more details.
- Never use an infant car seat with the wagon without the safety strap - Failure to do so could result in serious injury or death.
- Make sure the infant car seat is positioned in the Rear ICS Adapter so that your child's head does not fall forward during use. If your infant's head falls forward, the infant car seat must be re-positioned so that it is reclined more. See the manufacturer's infant car seat instructions to make sure the infant car seat is positioned at the correct angle
- Passengers cannot be seated in the rear seat of the wagon when the infant car seat adapter is in its normal use position.

# ⚠️ WARNING

Failure to follow these warnings and instructions could result in serious injury or death.

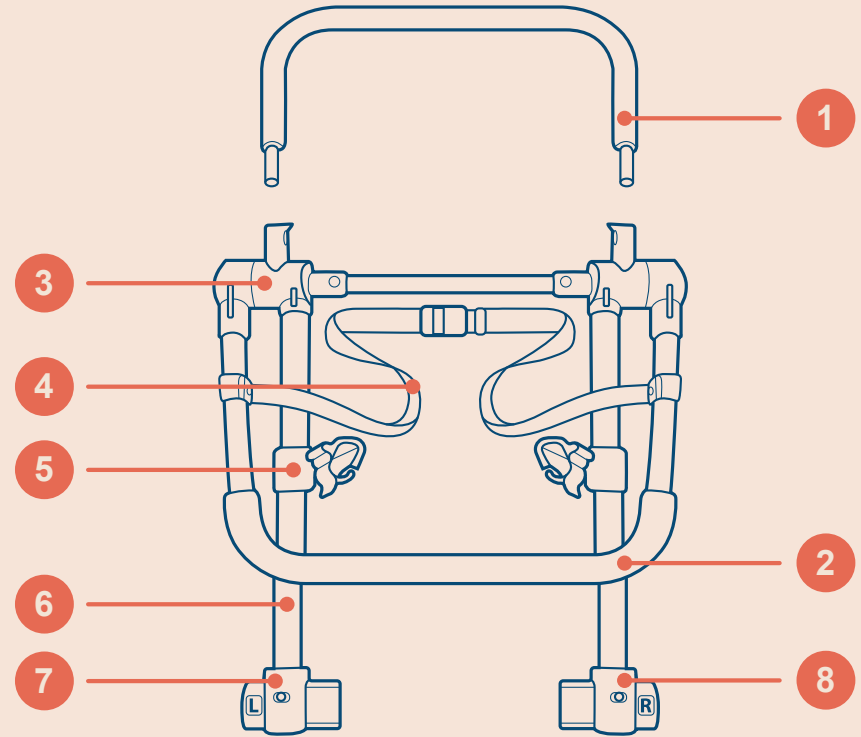
- Make sure the rear canopy is folded down or removed before using with the Rear ICS Adapter.
- DO NOT place more than 20 lbs (9.1 kg) on the beach rack.
- Use this product at walking speed only. This product is not intended to be used while jogging, skating, etc.
- Always pull the wagon up and over curbs - Never attempt to push the wagon over curbs.
- Never use this product if there are any missing or broken parts. Contact the manufacturer for replacement parts and never use substitute parts.

**THIS PRODUCT IS DESIGNED TO COMPLY WITH THE ASTM STANDARD CONSUMER SAFETY PERFORMANCE SPECIFICATIONS FOR CARRIAGES AND STROLLERS.**

## Parts List

Make sure all parts are available before assembly. If any parts are missing, please contact the manufacturer (see page 3 for information). No tools are required for assembly.

- 1 Rear ICS Support Bar
- 2 Front ICS Support Bar
- 3 Pivot Hub (2x)
- 4 Infant Car Seat Safety Strap
- 5 Upper Frame Latch (2x)
- 6 Extension Tubes (2x)
- 7 Left (L) Lower Frame Bracket
- 8 Right (R) Lower Frame Bracket

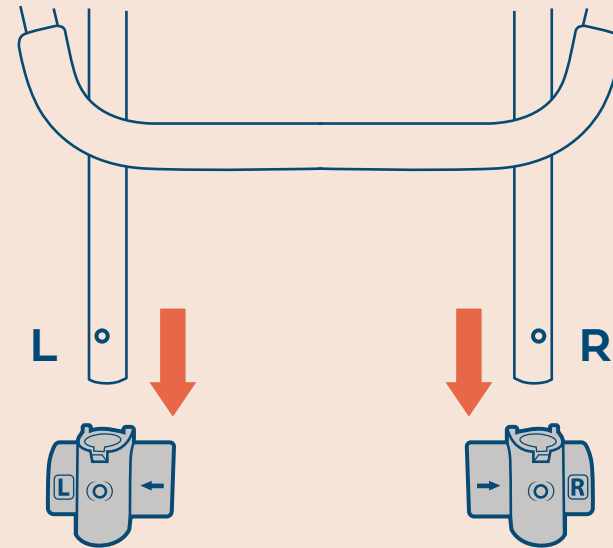
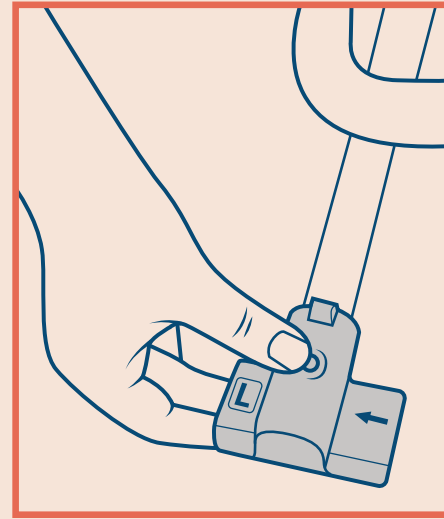


## Lower Frame Bracket Assembly

EN

- 1- Press the spring button to remove the right (R) and left (L) lower frame bracket from the extension tubes.

1



EN

## Lower Frame Bracket Assembly (continued)

EN

Align and attach the lower frame brackets:

Note: Once the right (R) and left (L) lower frame brackets are attached, they do NOT need to be removed. The rear ICS adapter can be removed from the lower frame brackets before the wagon is folded.

### 2a- Anthem2

Move to the rear of the wagon - Line up the edge of the top hook on the right (R) lower frame bracket to inside edge of the plastic corner, as shown.

Rotate the right (R) lower frame bracket down onto the wagon frame until it locks into place (2c).

Repeat this for the left (L) lower frame bracket.

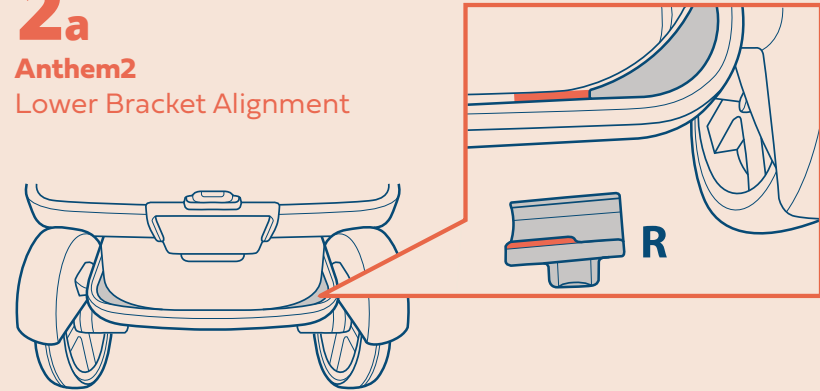
### 2b- Anthem4

Move to the rear of the wagon - Using the measurement chart on the side of this page, align the outside edge on the right (R) lower frame bracket 1 ¼" from the inside edge of the plastic corner, as shown.

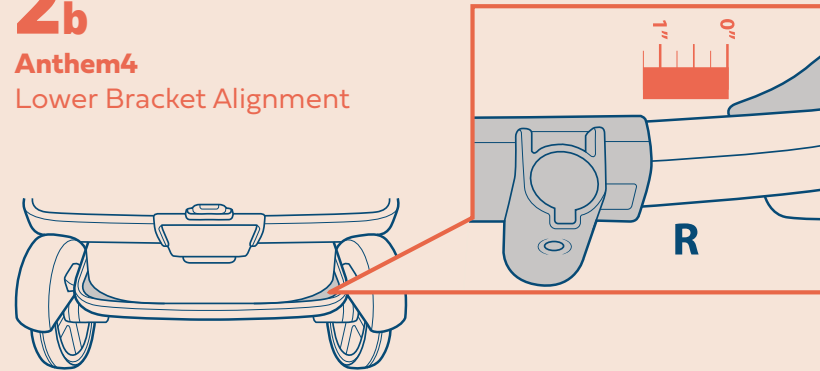
Rotate the right (R) lower frame bracket down onto the wagon frame until it locks into place (2c).

Repeat this for the left (L) lower frame bracket.

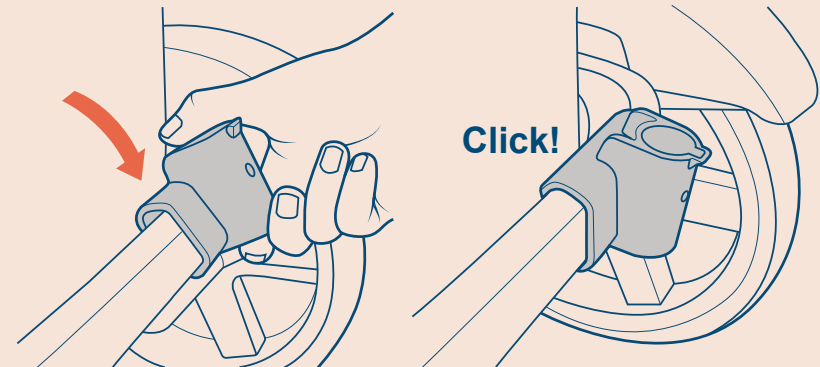
### 2a Anthem2 Lower Bracket Alignment



### 2b Anthem4 Lower Bracket Alignment



### 2c



EN



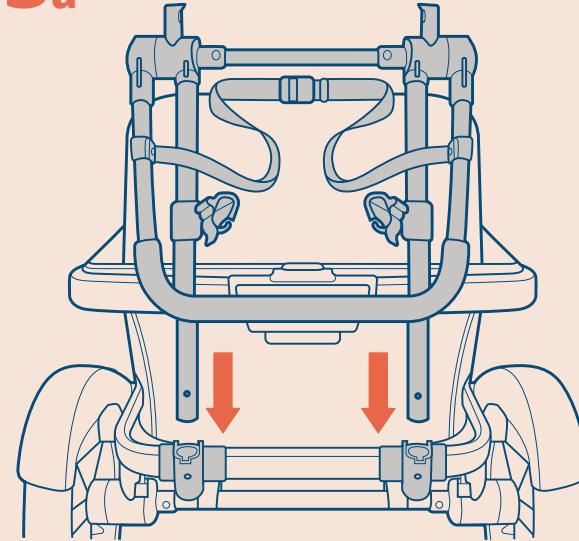
## Rear ICS Adapter Assembly

EN 3- Insert the extension tubes into the right (R) and left (L) lower frame brackets (3a).

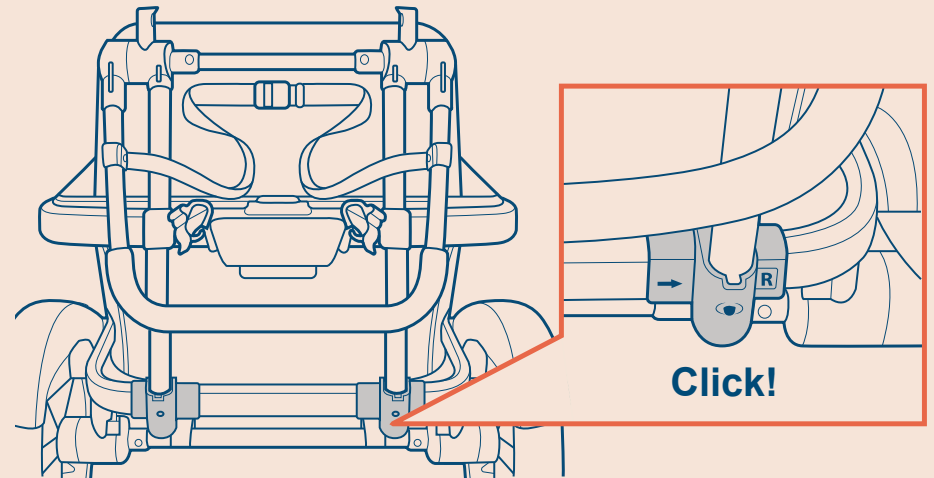
Press down until the spring buttons locks into place (3b).

**⚠WARNING:** Pull up on the Rear ICS Adapter to make sure extension tubes are securely latched into the right (R) and left (L) lower frame brackets.

3a



3b



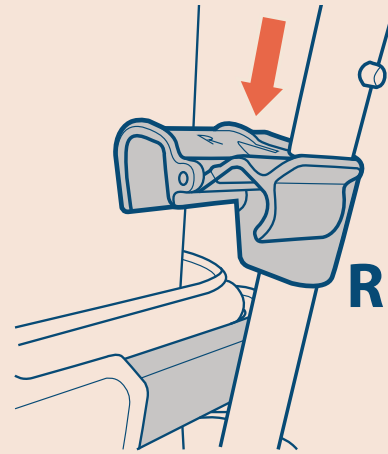
## Rear ICS Adapter Assembly (continued)

4- Slide the right (R) upper frame latch down onto the frame (4a).

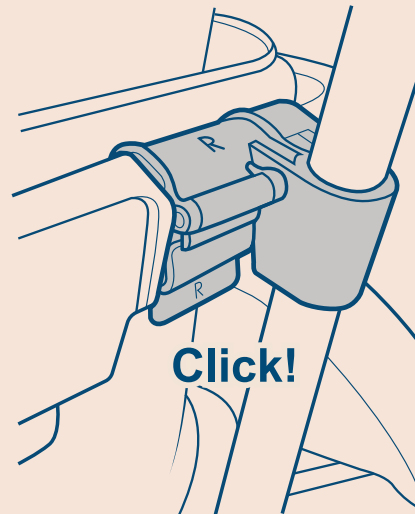
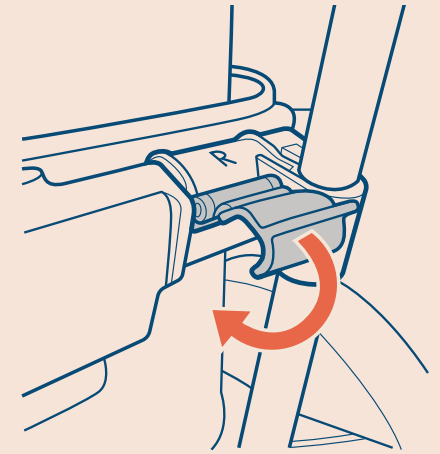
Rotate the latch down and snap under the tube (4b).

Repeat for the left (L) upper frame latch.

4a



4b





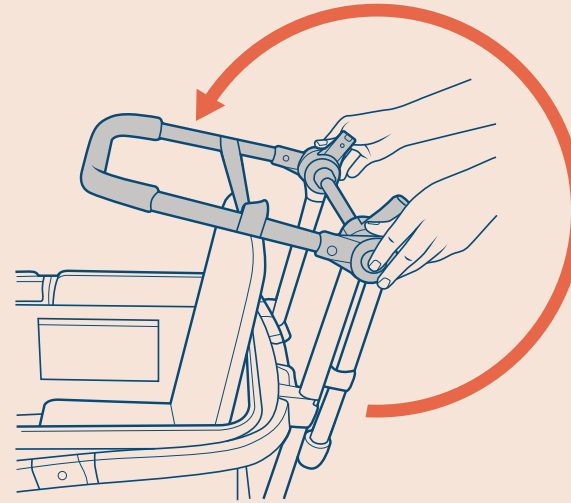
## Rear ICS Adapter Assembly (continued)

- 5- Press in on the buttons on the L and R pivot hubs and rotate the front ICS support bar up and forward into position (as shown).
- 6- Insert the rear ICS support bar into the socket on top of the L and R pivot hubs – Press down until both ends lock into place.

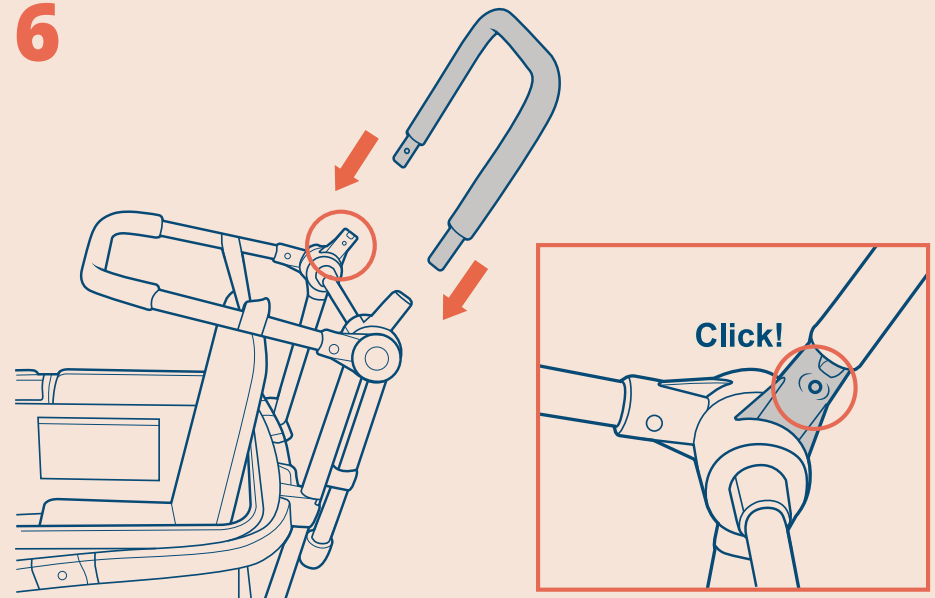
**⚠WARNING:** Pull up on the rear ICS support bar to make sure it is securely latched into both pivot hubs.

**⚠WARNING:** Re-check all connections before each use.

5



6



## Infant Car Seat Mode

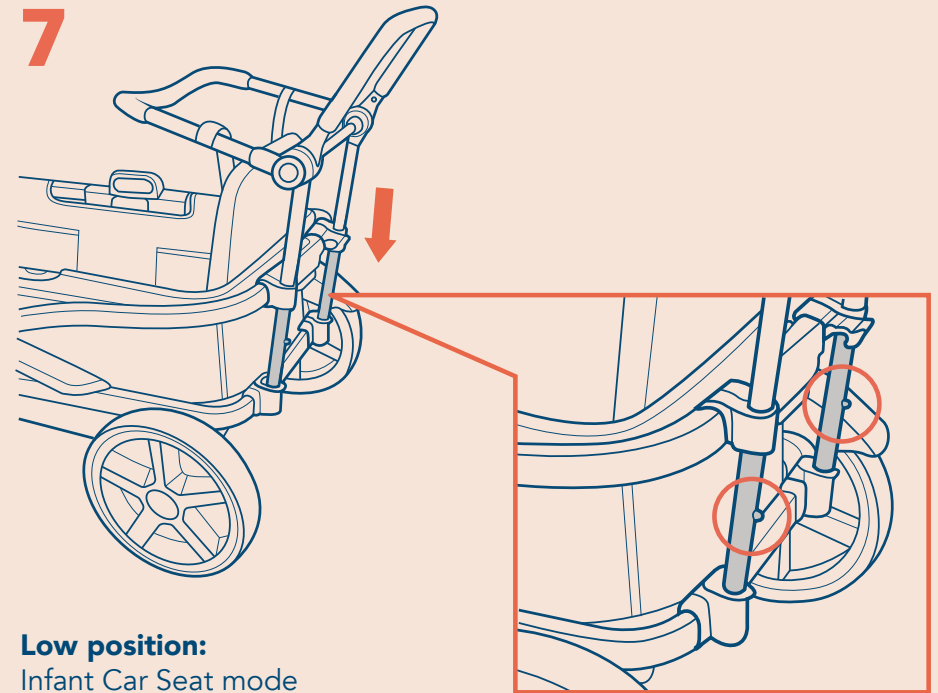
7- The Rear ICS Adapter can be used in (2) positions – infant car seat mode (low position) and beach rack mode (high position).

Make sure the frame is in the **lowest position** for use with the infant car seat.

**⚠WARNING:** Make sure the Rear ICS Adapter is in the lowest position for use with the infant car seat. Use of the infant car seat in any other position may result in serious injury or death.

To lower the frame, press on both the spring buttons and push down on the extension tubes until the spring button snaps into the lowest hole and locks each tube into position.

**⚠WARNING:** Make sure the rear canopy is folded down or removed before using with the Rear ICS Adapter.



## Infant Car Seat Mode (continued)

- 8- Place the infant car seat on the front and rear ICS support bars so that the child is facing the pull handle/parent (8a).

Check to make sure the bottom of the infant car seat is completely seated into the Rear ICS Adapter at the front and back (8b).

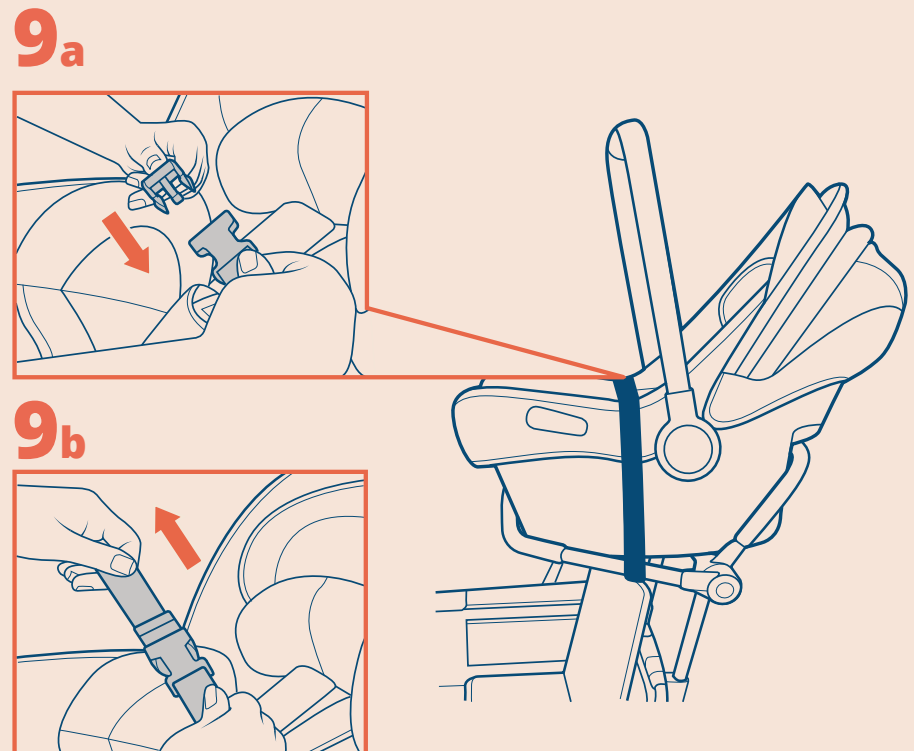
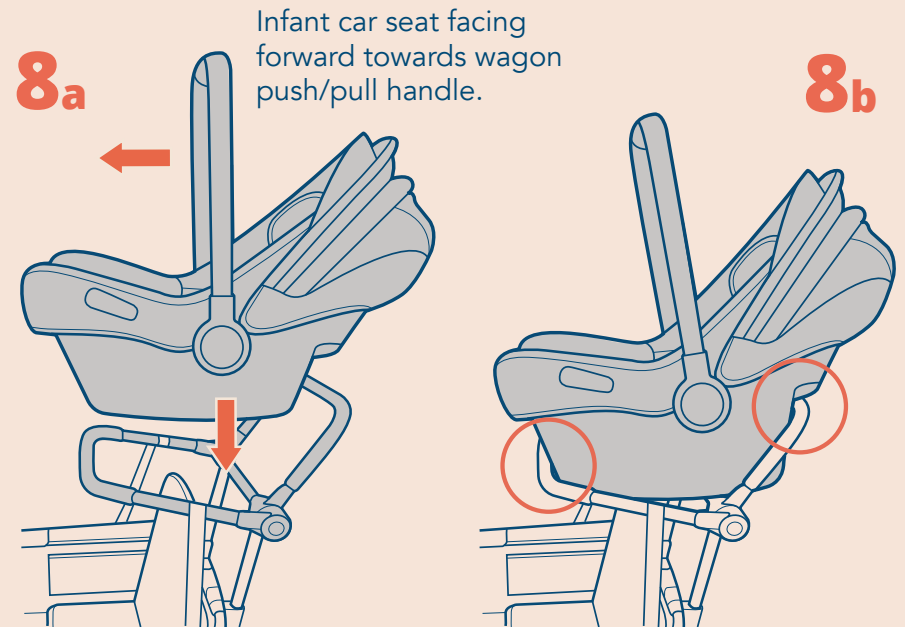
Secure the child in the infant car seat using the infant car seat harness restraint system.

**⚠ WARNING: FALL HAZARD - Avoid serious injury from falling or sliding out. Always use the infant car seat harness restraint system. See the manufacturer's infant car seat instructions for more details.**

**⚠ WARNING: Make sure the infant car seat is positioned in the Rear ICS Adapter so that your child's head does not fall forward during use.**

- 9- Secure the infant car seat in the Rear ICS Adapter using the safety strap. Attach the buckle (9a) and pull on the strap to tighten (9b).

**⚠ WARNING: Never use an infant car seat with the wagon without the safety strap - Failure to do so could result in serious injury or death.**



## Beach Rack Mode

10- The Rear ICS Adapter can be used in (2) positions – Infant Car Seat mode (lowest position) and Beach Chair Rack mode (highest position).

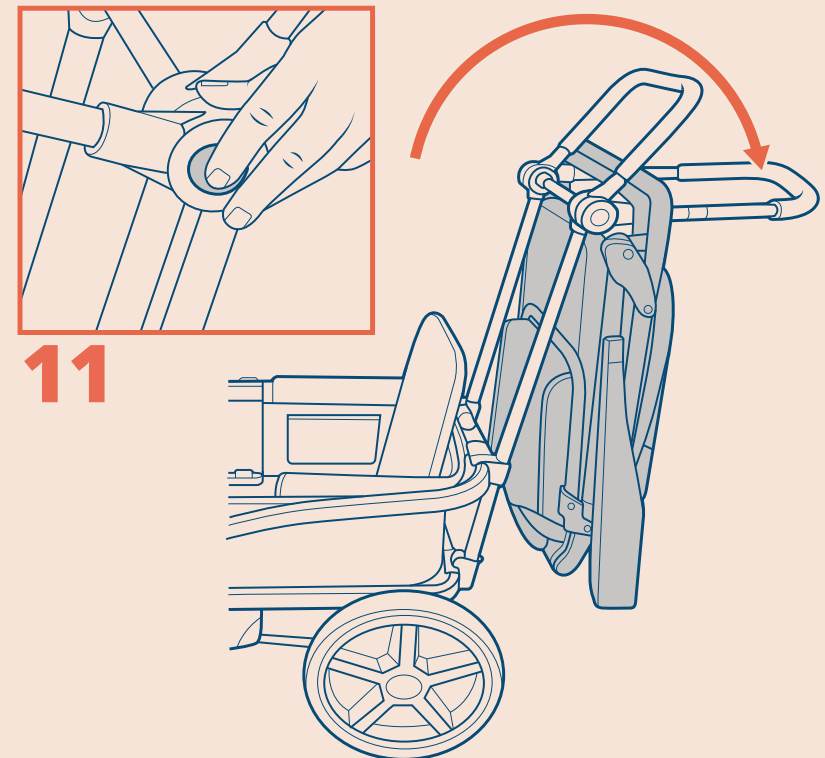
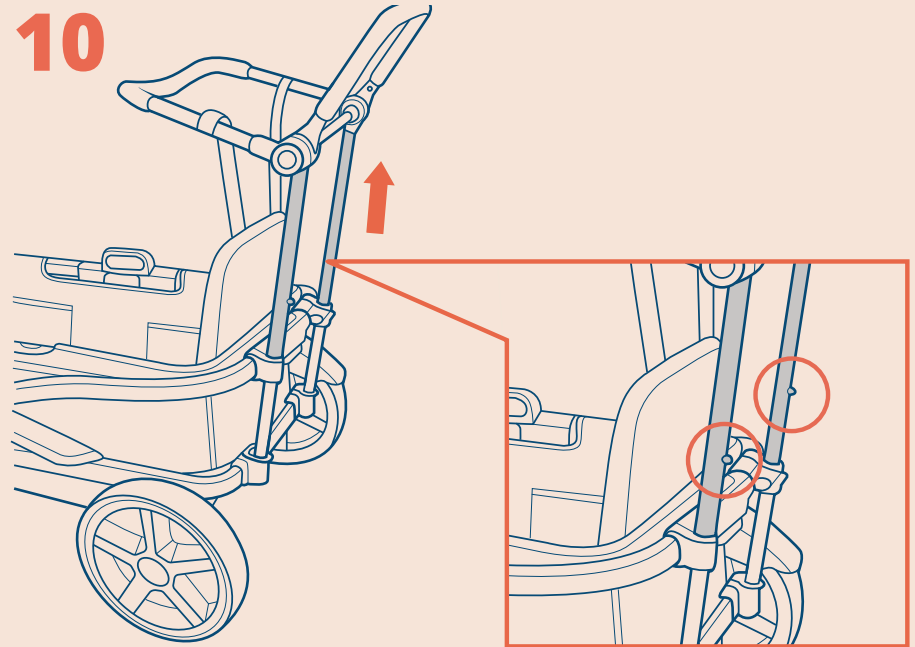
Make sure the frame is in the highest position for use as a beach rack.

To raise the frame, press on both the spring buttons and pull up on the extension tubes until the spring button snaps into the highest hole and locks each tube into position.

**⚠WARNING:** When finished using as a beach chair rack, make sure the Rear ICS Adapter is in the lowest position. Use of the infant car seat in the highest position may result in serious injury or death.

11- Press in on the buttons on the L and R pivot hubs and rotate the front ICS support tube up and backward into position (as shown). Hang beach chairs or other beach items on the support tube.

**⚠WARNING:** DO NOT place more than 20 lbs (9.1 kg) on the beach rack.



## Removing the Rear ICS Adapter

EN

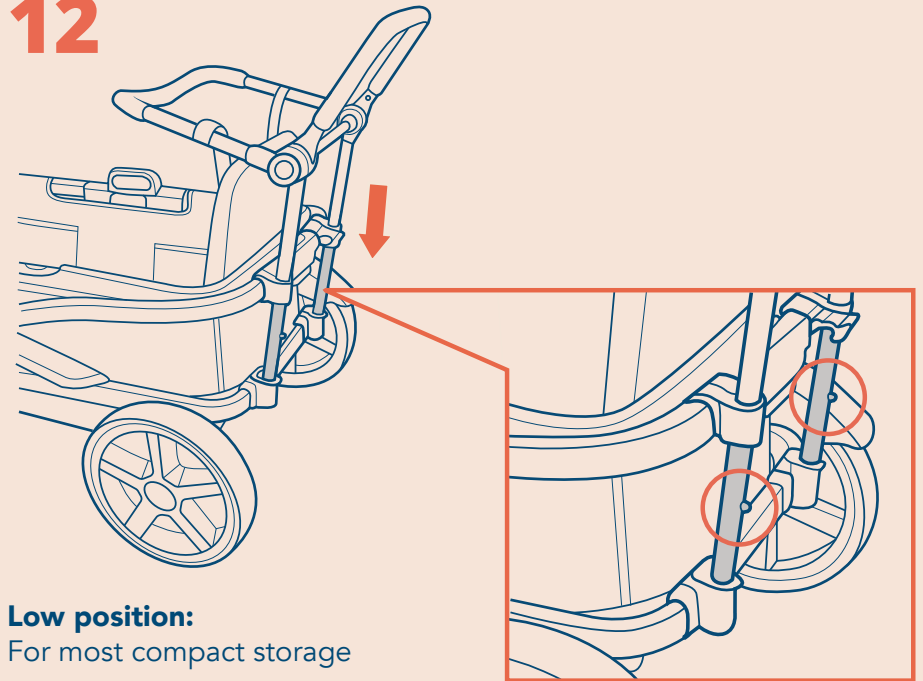
Note: The wagon cannot be folded until the Rear ICS Adapter is removed.

- 12- Make sure the Rear ICS Adapter is in the lowest position for the most compact storage.

To lower the frame, press on both the spring buttons and push down on the extension tubes until the spring button snaps into the lowest hole and locks each tube into position.

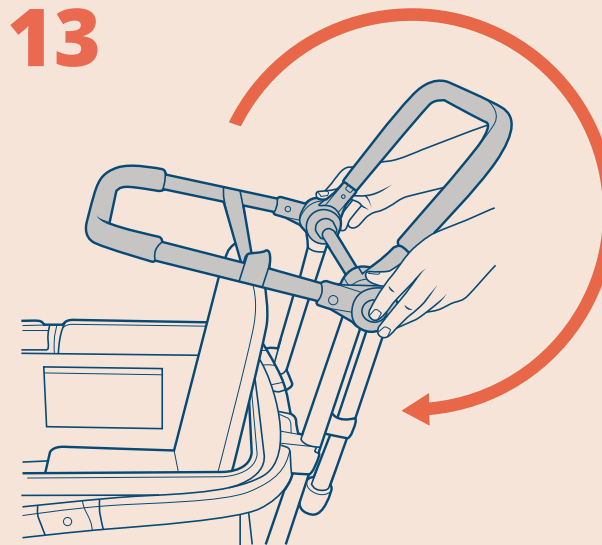
- 13- Press in on the buttons on the L and R pivot hubs and rotate the front ICS support tube back and down into the storage position (as shown).

12



EN

13



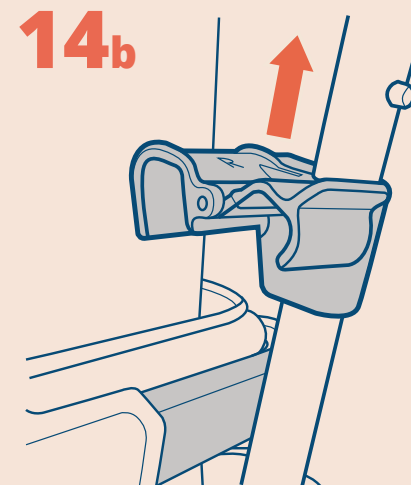
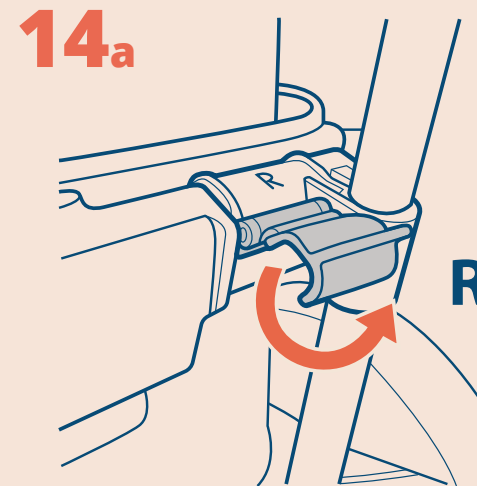
## Removing the Rear ICS Adapter (continued)

EN

14- Pull up on the right (R) upper frame latch to release (14a).

Slide the right (R) upper frame latch up to remove from the frame (14b).

Repeat for the left (L) upper frame latch.



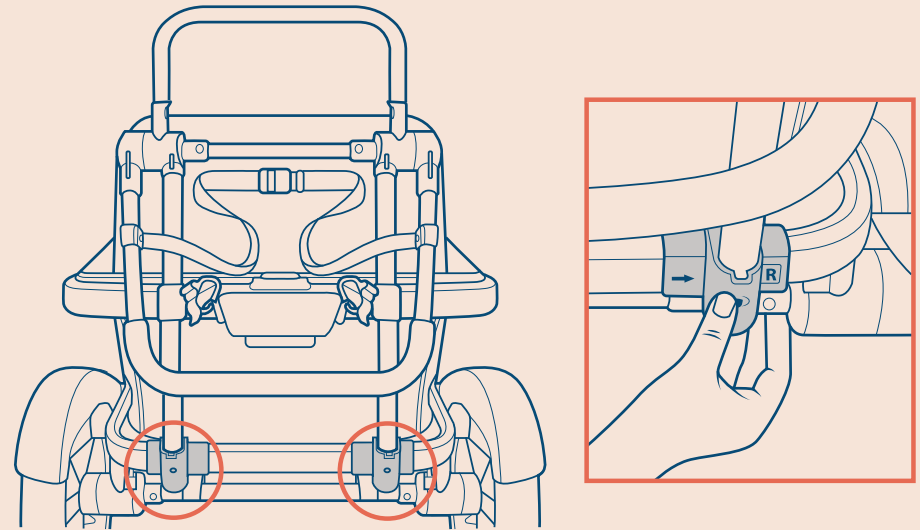
EN

## Removing the Rear ICS Adapter (continued)

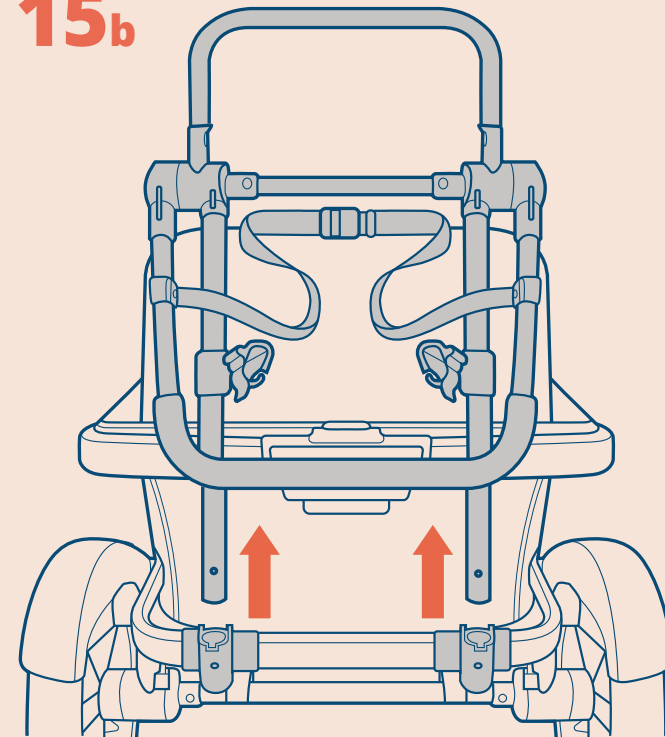
- EN 15- Press on the lower spring buttons to release the Rear ICS Adapter from the right (R) and left (L) lower frame brackets (15a). Pull up on the Rear ICS Adapter to remove (15b).

Note: The right (R) and left (L) lower frame brackets do NOT need to be removed when folding the wagon.

15a



15b



## Cleaning and Maintenance

Check your wagon and accessories from time to time for worn parts or torn fabric/stitching. Contact the manufacturer for replacement parts.

DO NOT store the wagon or accessories in direct sunlight. If your wagon or accessories are used at the beach and in sand, make sure to thoroughly remove the sand from moving parts and rinse the frame and accessories to prevent corrosion.

To spot clean the wagon or accessories, use only mild household soap and a sponge. DO NOT use bleach.

Always allow to air dry thoroughly before using or storing. Store in a dry well ventilated area, away from the elements.

## Learn More About Us!

@gladly\_family





