

F

E

D

C

B

A

4

3

2

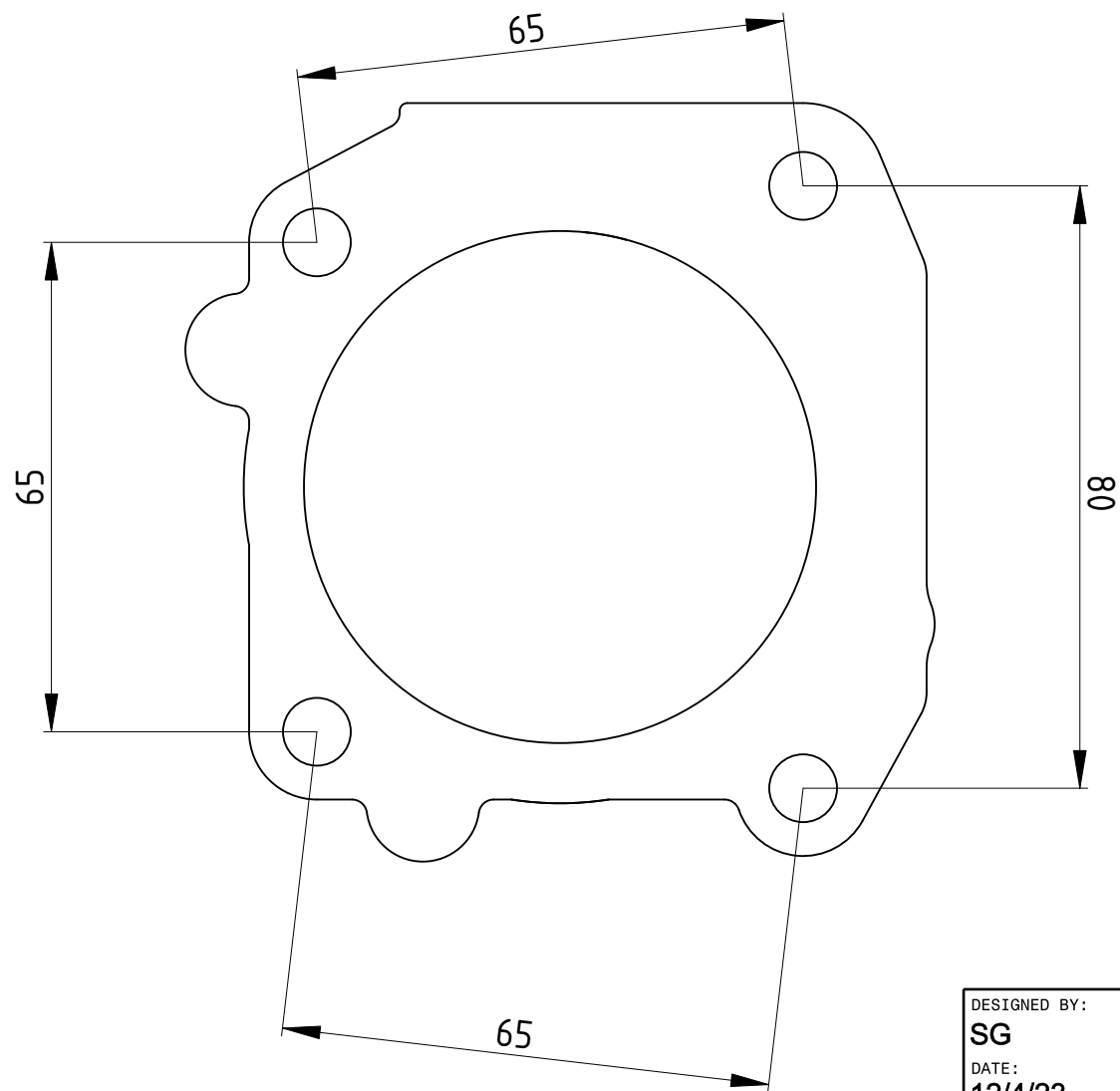
1

4

3

2

1



NOTE: Flange viewed as looking at the back of the throttle body

DESIGNED BY: SG		Honda H22A		G	—
DATE: 12/4/23		Bosch 68 Adapter		F	—
SIZE A4				E	—
				D	—
SCALE 1:1	WEIGHT (kg) Weight	DRAWING NUMBER 1	SHEET 1/1	C	—
This drawing is our property; it can't be reproduced or communicated without our written consent.				B	—
				A	—

F

E

D