

TL-UL300-CB

12 VOLT UP LIGHT



The TL-UL300-CB up light can be used to dramatically draw attention to specific architectural or landscape features such as trees, yard art, walkways, gardens, gates, and more! It maintains a classic, clean design with straight lines and a functional shape. At 8" this up light fits into almost any landscape.

This Total Light up light stands out with an adjustable cowl. This adjustable lens guard opens the door for the most flexible and versatile lighting experience. Whether you need a narrow beam spread, a wide beam spread, or somewhere in between, it can be accomplished with this one up light. The highly adjustable lens guard is easy to use and keeps the light from entering unwanted areas and focused only on your desired features giving you complete customization in any outdoor space.

The versatility of this light doesn't compromise superior quality. The solid brass construction is extremely durable and promises protection from water, humidity, dirt, and pests. Compatible with almost any LED MR16 lamp, this up light works with existing low voltage landscape lighting systems.

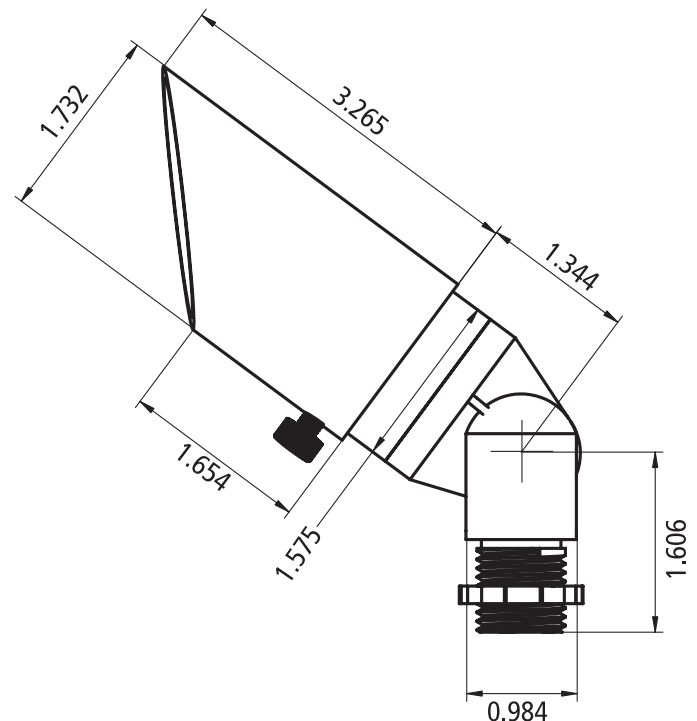


SPECIFICATIONS

Construction: Solid Brass
Finish: Classic Brass
Lead Wire: 36" 18/2 Direct Burial Lighting Wire
Lens: Frosted Glass & Clear Glass (included)
Lamp Type: LED MR16 (not included)
Socket: Ceramic Base Bi Pin with Nickel Contacts and Coated Wire Lead
Maximum Lamp Rating: 50 watt
Voltage: 12-volt
Power Supply: Low-Voltage Transformer (Not included)
Mounting: TL-GSTAKE2 (included) Other Options Available
Wattage: Based on LED lamp selection (lamp sold separately)

FEATURES & BENEFITS

Lens guard
Classic, clean design
Water resistant
Easy to install
Adjustable beam spread



BACKED BY TOTAL LIGHT LIFETIME WARRANTY