

TL-UL100-CB

12 VOLT UP LIGHT



The TL-UL100-CB up light can be used to dramatically draw attention to specific architectural or landscape features such as trees, yard art, walkways, gardens, gates, and more! It maintains a classic, clean design with straight lines, heat dissipating grooves, and a functional shape.

The smallest up light in the Total Light collection, the mini classic brass fixture can be used for casting light on small plants, shrubs, or small trees. At only 4", this fixture is also ideal to be used to overcome the challenge of smaller landscapes and tight installation areas like planters and flower or garden beds. This light is extremely compact and is perfect for any instance when a small light source is desired.

The TL-UL100-CB up light delivers a superior quality. The solid brass construction is extremely durable and promises protection from water, humidity, dirt, pests, and other environmental hazards. Compatible with almost any LED MR16 lamp, this up light works with existing low voltage landscape lighting systems.

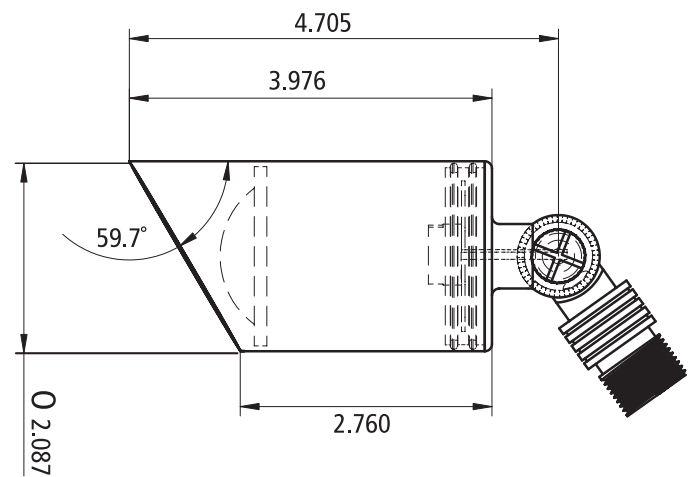


SPECIFICATIONS

Construction: Solid Brass
Finish: Classic Brass
Lead Wire: 36" 18/2 Direct Burial Lighting Wire
Lens: Frosted Glass & Clear Glass (included)
Lamp Type: LED MR16 (not included)
Socket: Ceramic Base Bi Pin with Nickel Contacts and Coated Wire Lead
Maximum Lamp Rating: 20 watt
Voltage: 12-volt
Power Supply: Low-Voltage Transformer (Not Included)
Mounting: TL-GSTAKE1 (included) Other Options Available
Wattage: Based on LED lamp selection (lamp sold separately)

FEATURES & BENEFITS

Classic, clean design
Water resistant
Easy to install
Great to use in tight spaces
Low-profile



BACKED BY TOTAL LIGHT LIFETIME WARRANTY