

TL-UL100-CB

12 VOLT UP LIGHT



The TL-UL100 up light can be used to dramatically draw attention to specific architectural or landscape features such as trees, yard art, walkways, gardens, gates, and more! It maintains a classic, clean design with straight lines, grooves, and a functional shape.

Being the smallest up light in the Total Light collection, the mini classic brass fixture can be used for casting light on small plants, scrubs, or small trees. At only 4", this fixture is also ideal to be used to overcome the challenge of smaller landscapes and tight installation areas like planters and flower or garden beds. This light is extremely compact and is perfect for any instance when a small light source is desired.

The TL-UL100 up light delivers superior quality. The solid brass construction is extremely durable and promises protection from water, humidity, dirt, pests, and other environmental hazards. Compatible with almost any LED MR16 lamp, this up light works with existing low voltage landscape lighting system.

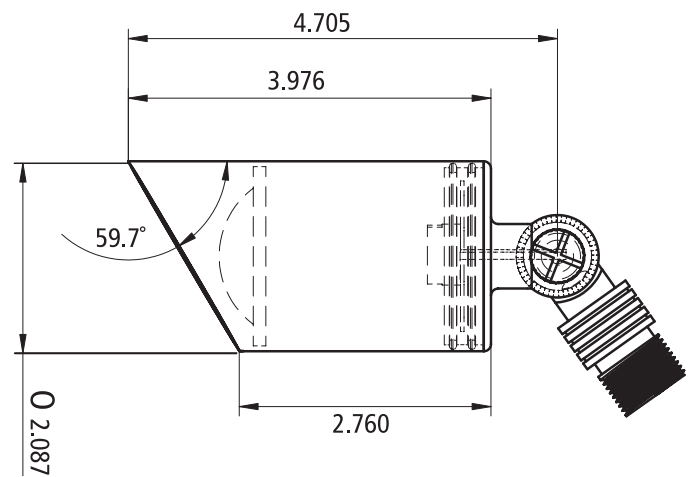


SPECIFICATIONS

- Construction: Solid Brass
- Finish: Classic Brass
- Lead Wire: 36" 18/2 Direct Burial Lighting Wire
- Lens: Frosted Glass & Clear Glass (included)
- Lamp Type: LED MR16 (not included)
- Socket: Ceramic Base Bi Pin with Nickel Contacts and Coated Wire Lead
- Maximum Lamp Rating: 20 watt
- Voltage: 12-volt
- Power Supply: Low-Voltage Transformer (Not Included)
- Mounting: TL-GSTAKE1 (included) Other Options Available
- Wattage: Based on LED lamp selection (lamp sold separately)

FEATURES & BENEFITS

- Classic, clean design
- Water resistant
- Easy to install
- Great to use in tight spaces
- Low-profile



BACKED BY TOTAL LIGHT LIFETIME WARRANTY