

FLOS

Viscontea - Specification Sheet

by Achille and Pier Giacomo Castiglioni, 1960

| | |
|-----------------------------------|--|
| Mounting | Ceiling Pendant |
| Lamp (Bulb) Description | 1 x 72W BT-15 ECO Halogen (Included) |
| Canopy Dimension | Diameter 5.75" - 1.40" high |
| Environment | Indoor - Dry Location |
| Dimming | Phase-cut Dimming / Triac Type |
| Finish | White |
| Technical and Product Description | VISCONTEA suspension lamp providing diffused light. White powder coated internal steel structure sprayed with a unique "cocoon" resin to create the diffuser which is then protected by a transparent sprayed on finish. |

Electrical

| | |
|-----------|------|
| Voltage | 120 |
| Switching | NA |
| IP Rating | IP20 |

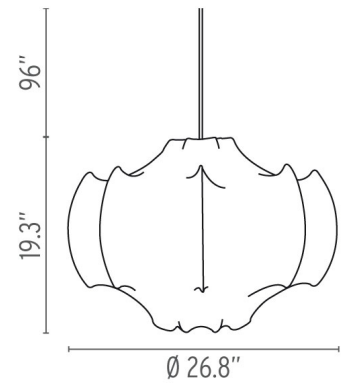
Physical

| | |
|-----------------------|--|
| Cord Length (inches) | 96" - White (Cord length can be shortened during installation) |
| Construction Material | Plastic |
| Weight | 3.75 lbs |



○ FU800109 White

Dimensional Image



Certifications



Lamping (Bulb)



72W BT-15 ECO Halogen

Lamping (Bulb)



LED018 PRO-T38LED 14W 120V E26 2700K
DIMM - 1800lm - CRI80 Additional

Lamping (Bulb)



LED031 PRO-T38LED 14W 120V E26 3000K
Dimmable - 1800lm - CRI80- Additional