

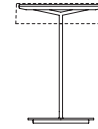
Sin

Antoni Arola. 2013
Table Lamps


SANTA & COLE

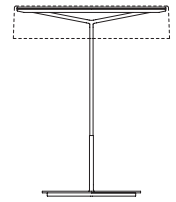


Sin S

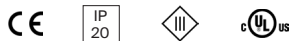


A

Sin L



B



Free of adornments, the Sin lamp takes its name from the Spanish word 'without' as it can even be used sans shade. Antoni Arola combined a simple design with LED technology to create a lucent ring of light suspended in the air. The light can be dimmed with a switch housed in the base, while the larger Sin model on full power can broadly light up any work surface.

Both models are available in a matte white or graphite finish. A clear white shade or an opaque aluminium shade may be added. Or just leave them shade free.

General description:

Metallic structure with two matte finish options:

S&C white: optional white translucent methacrylate or white aluminium lampshade.

Graphite: optional graphite aluminium lampshade.

Dimmer and switch incorporated into the luminaire.

Electric cable length: 3 m / 118.11"

Approximate weight (unpacked):

(A) Sin S: 2,5 Kg / 5,5 lb (structure). 0,4 Kg / 0,9 lb (lampshade)

(B) Sin L: 4,9 Kg / 10,8 lb (structure). 1 Kg / 2,2 lb (lampshade)

Technical information:

Light source included (dimnable).

LED Module

(A) Sin S:

Rated input wattage: 12,5 W

Luminous flux:

Without lampshade: 680 lm

With methacrylate lampshade: 630 lm

With white aluminium lampshade: 494 lm

With graphite aluminium lampshade: 377 lm

(B) Sin L:

Rated input wattage: 25 W

Luminous flux:

Without lampshade: 1.360 lm

With methacrylate lampshade: 989 lm

With white aluminium lampshade: 1.261 lm

With graphite aluminium lampshade: 754 lm

Operating voltage: 24 VDC

Colour Temp.: 2.700 K

CRI: 85

Lifetime: 40.000 h

Built-in dimmable LED

Energy efficiency class (E.E.C): A++... A.

Suitable only for indoor use.

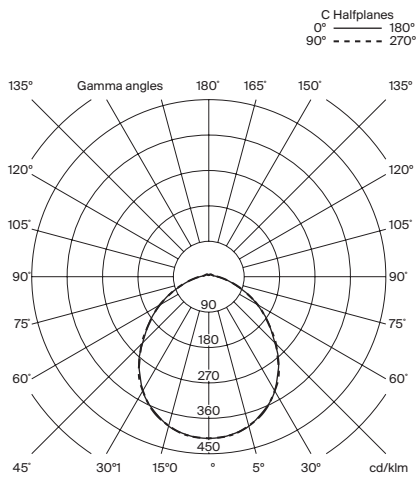
Input voltage: 100 ~ 230 Vac.

(50 Hz / 60 Hz). According to destination.

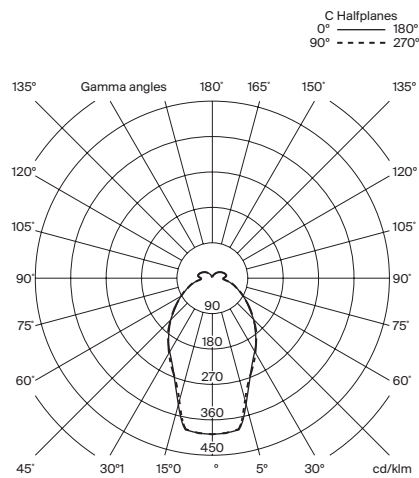
Sin

Antoni Arola. 2013
Table Lamps

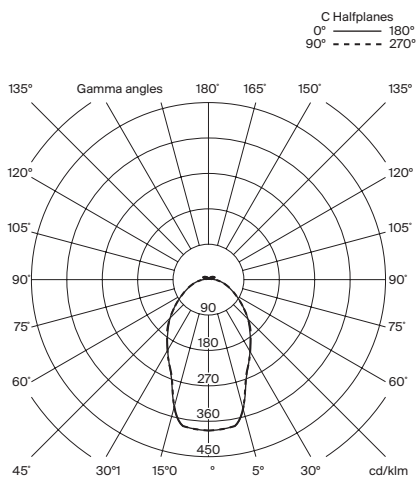
Without lampshade



With methacrylate lampshade



With aluminium lampshade



Regulations:

CE
UNE-EN 60598
UNE-EN 55015
UNE-EN 62031
UNE-EN 61000-3-2
UNE-EN 60529
UNE-EN 61347-2-13

UL

Dry location only
UL-1598
UL-8750
UL-336377

Maintenance:

Clean with a smooth cloth. Do not use ammonia, solvents or abrasive cleaning products.

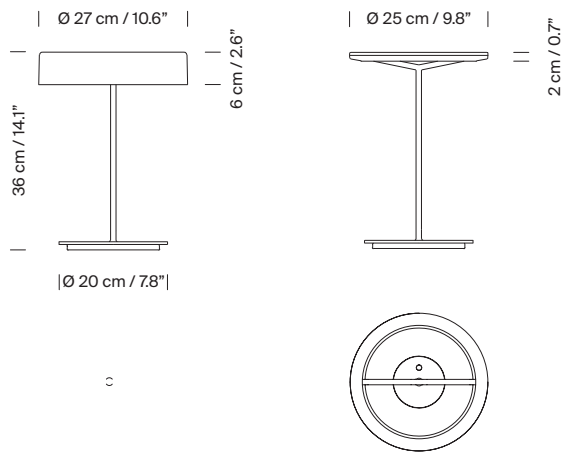
Others:

without lampshade: the lamp is delivered in one package.
With lampshade: the lamp is delivered in different packages.
The assembly instructions are delivered with the product.

Sin

Antoni Arola. 2013
Table Lamps

Model A: Sin S



Model B: Sin L

