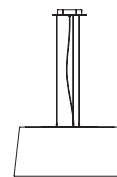


GT1000 / GT1500

Santa & Cole Team. 2011
Pendant lamps

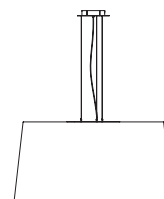


GT1000



A

GT1500



B



These are two immensely huge ribbon shade lamps conceived for large-scale projects. Inside, they both incorporate a large cylinder disc made from see-through material which houses the powerful dimmable light source.

Ever since the early 1990s, Santa & Cole has championed the use of ribbon shades to embellish all manner of light sources, exploring textiles and experimenting with colours and tones (they even enlisted the help of Raw Color studio). The GT5 was the first in the collection arising as an alternative to the use of continuous textile, methacrylate and cardboard shades. It was followed by the GT6 and, later on, the larger GT7, GT1000 and GT1500, designed for use in public venues owing to their large dimensions. This is a colourful family that is able to change its scale without losing its essence.

General description:

Capsule with LED module, translucent white diffuser and heat sink with matte black finish.
Natural, red-amber or black ribbon lampshade and terracotta, mustard or green Raw Color ribbon.
Black metallic circular canopy.

Lampshades:

(A): upper Ø 90 cm / 35.4" x lower Ø 100 cm / 39.3" x h. 44 cm / 17.3".

Lower disk in white translucent PVC: Ø 83 cm. / 32.7".

(B): Pantalla: upper Ø 133 cm / 7.5" x lower Ø 150 cm / 59.1" x h. 74 cm / 29.1".

Lower disk in white translucent PVC: Ø 125 cm / 49.2".

Electric cable length: 8 m / 315"

Suitable for Junction Box (UL market).



Approximate weight (unpacked):

(A) GT1000: 12 Kg / 26.5 lb

(B) GT1500: 17 Kg / 37.5 lb

Technical information:

Light source included (dimmable).

Module of 64 LEDs

Rated input wattage: 78 W

Operating current: 1.400 mA

Colour Temp.: 2.700 K

CRI: 90

Lifetime: 40.000 h

Luminous flux: 6.340 lm

Built-in adjustable LED.

Suitable for dimming 0-10V. (Not included external dimmer switch 0-10V).

Energy efficiency class (E.E.C): A++... A.

Suitable only for indoor use.

Always use this light source.

Input voltaje : 100 ~ 277 Vac.

(50 Hz / 60 Hz). According to destination.

GT1000 / GT1500

Santa & Cole Team. 2011
Pendant lamps

Regulations:

CE
UNE-EN 60598
UNE-EN 55015
UNE-EN 62031
UNE-EN 61000-3-2
UNE-EN 60529
UNE-EN 61347-2-13

UL

Dry location only
UL-1598
UL-8750
E-336377

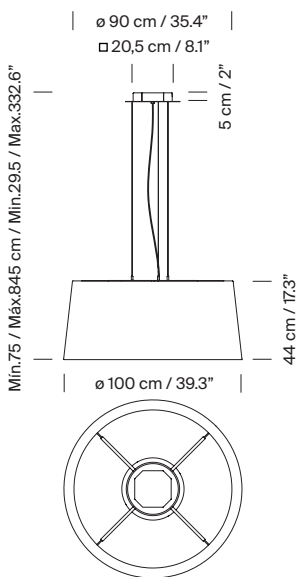
Maintenance:

Clean with a smooth cloth. Do not use ammonia, solvents or abrasive cleaning products.

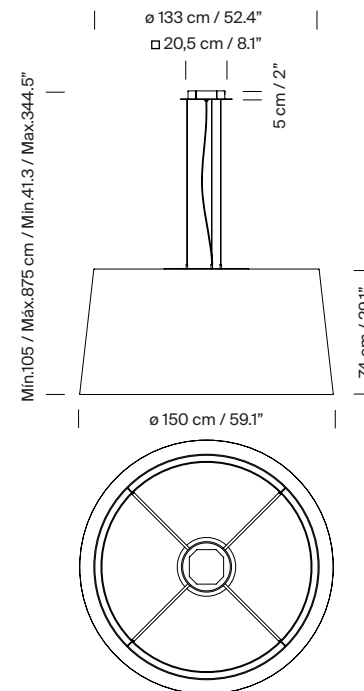
Others:

The lamp is delivered in different packages.
The assembly instructions are delivered with the product.

Model A: GT1000



Model A: GT1500



Collection:

Table lamps



Tripode M3 / G6

Floor lamps



Tripode G5

Pendant lamps



GT5 / GT6

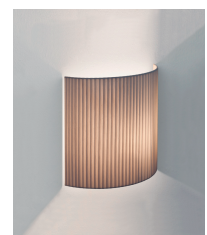


GT7



GT1000 / GT15000

Wall lamps



Comodín