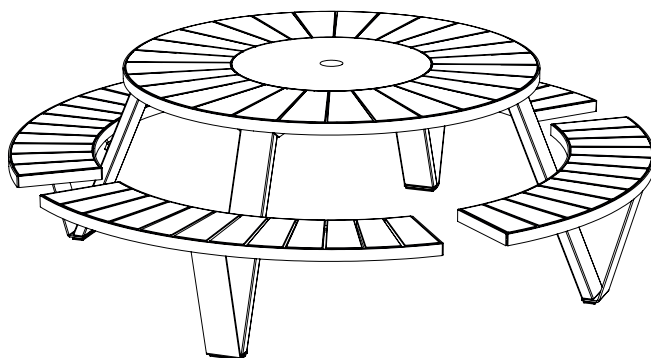


Pantagruel picnic



extremis®

Assembly instructions, how to use, useful tips for keeping
your tool for togetherness in shape.

EN - NL - DE - FR - IT - ES

MANUAL
LAB006

extremis®

Tools for togetherness

**IMPORTANT! RETAIN FOR FUTURE
REFERENCE: READ CAREFULLY.**

**BELANGRIJK! LEES DIT DOCUMENT
AANDACHTIG EN BEWAAR HET VOOR
TOEKOMSTIGE RAADPLEGING!**

**WICHTIG! AUFHEBEN, UM SPÄTER
ETWAS NACHSEHEN ZU KÖNNEN:
SORGFÄLTIG DURCHLESEN!**

**IMPORTANT! LISEZ ATTENTIVEMENT
CE MANUEL ET CONSERVEZ-LE POUR
RÉFÉRENCE ULTÉRIEURE!**

**IMPORTANTE! CONSERVARE COME
RIFERIMENTO PER IL FUTURO:
LEGGERE ATTENTAMENTE!**

**¡IMPORTANTE! CONSÉRVELO PARA
FUTURA REFERENCIA: LÉALO
ATENTAMENTE!**

Table of contents

Assembly Pantagruel picnic

6

Assembly backrest

10

Assembly with Inumbra

12

Assembly with Inumbrina

14

Warnings - Assembly text instructions - Maintenance

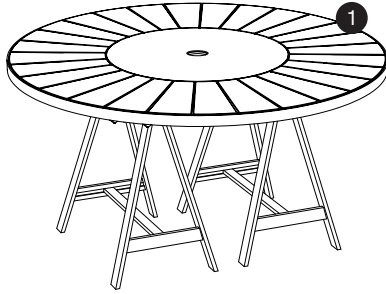
18

Parts list

42

Assembly Pantagruel picnic

1.



N° 4/5/6



N° 13



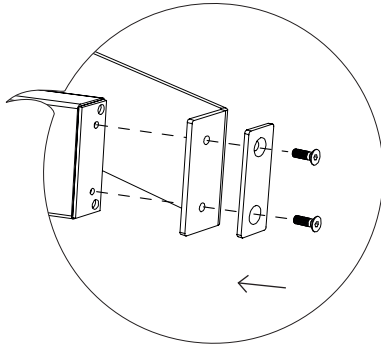
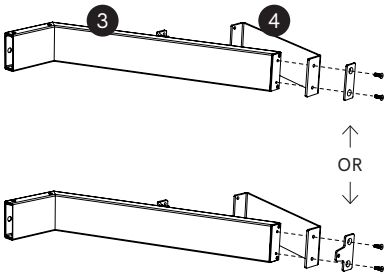
45'



p 18

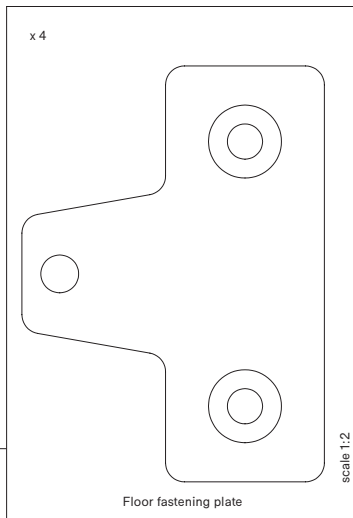


2.

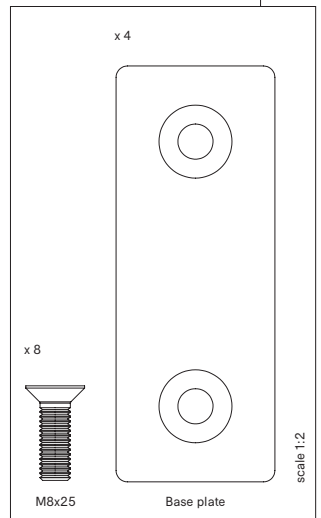


PAN168
or
PAN181

PAN019



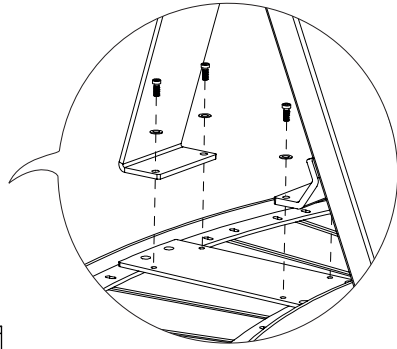
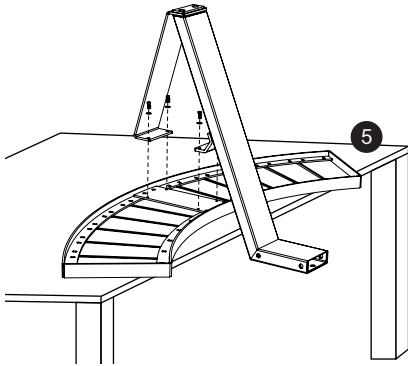
Floor fastening plate



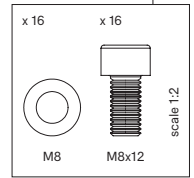
M8x25

Base plate

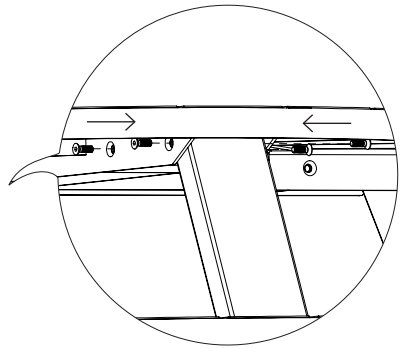
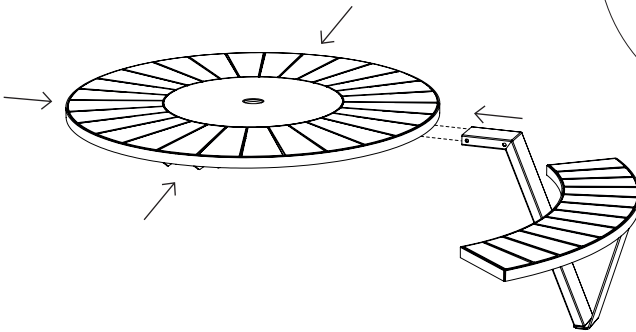
3.



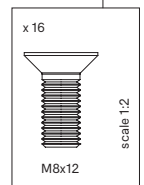
PAN170



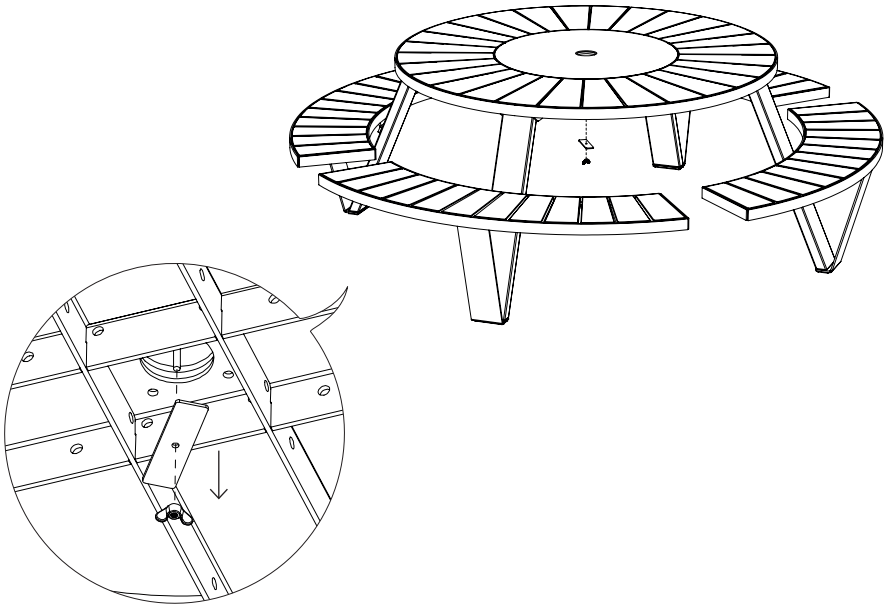
4.



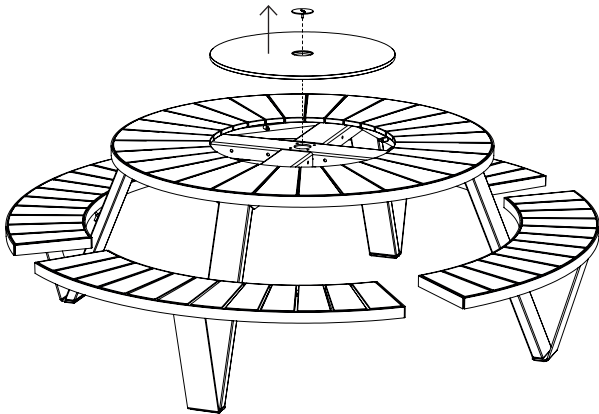
PAN171



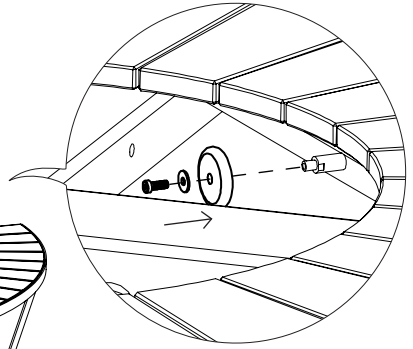
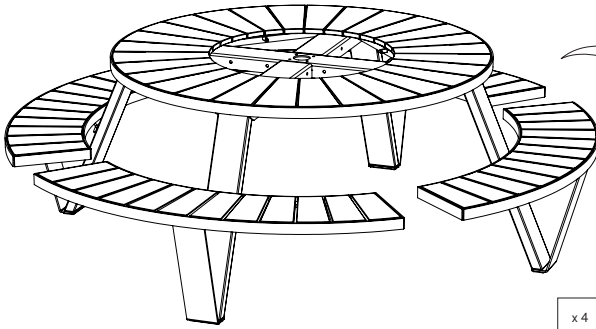
5.



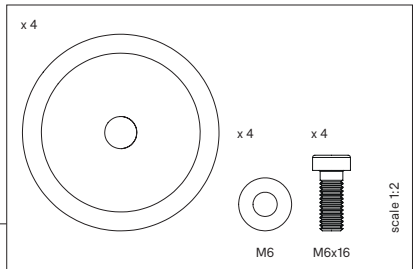
6.



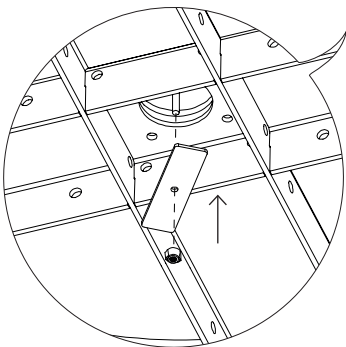
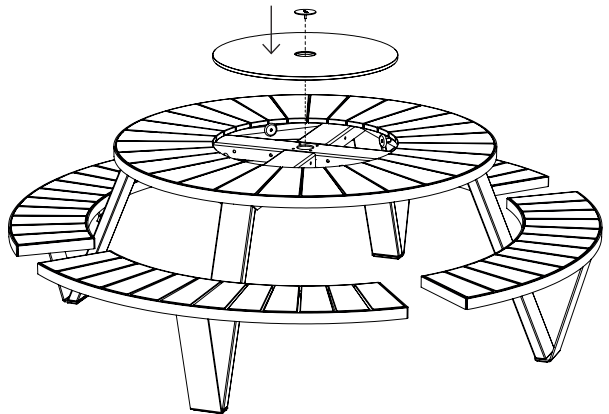
7.



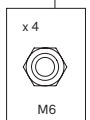
PAN168



8.



PAN168



Assembly backrest

1.



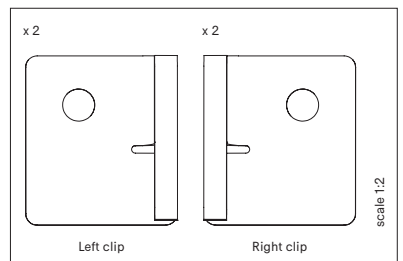
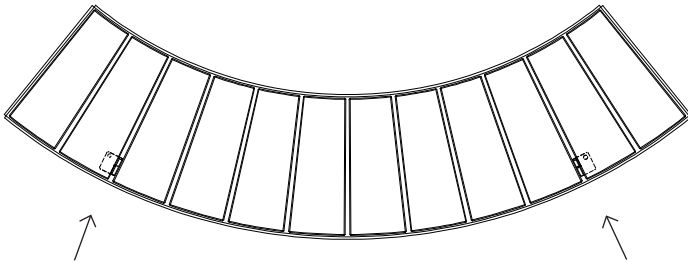
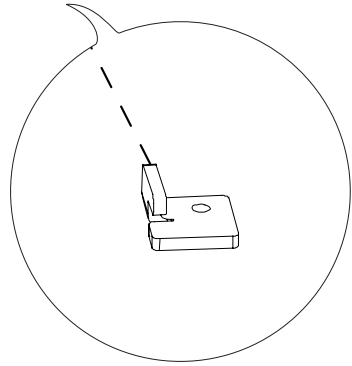
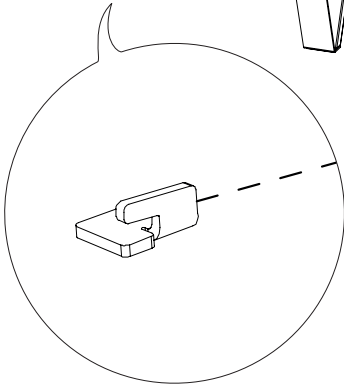
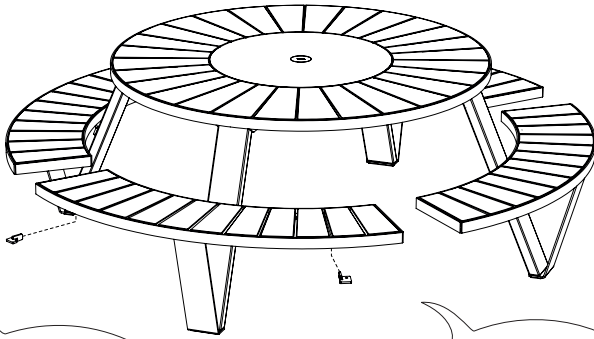
N° 17



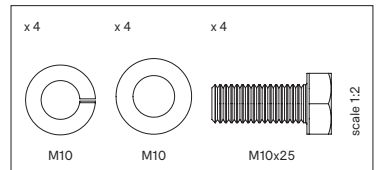
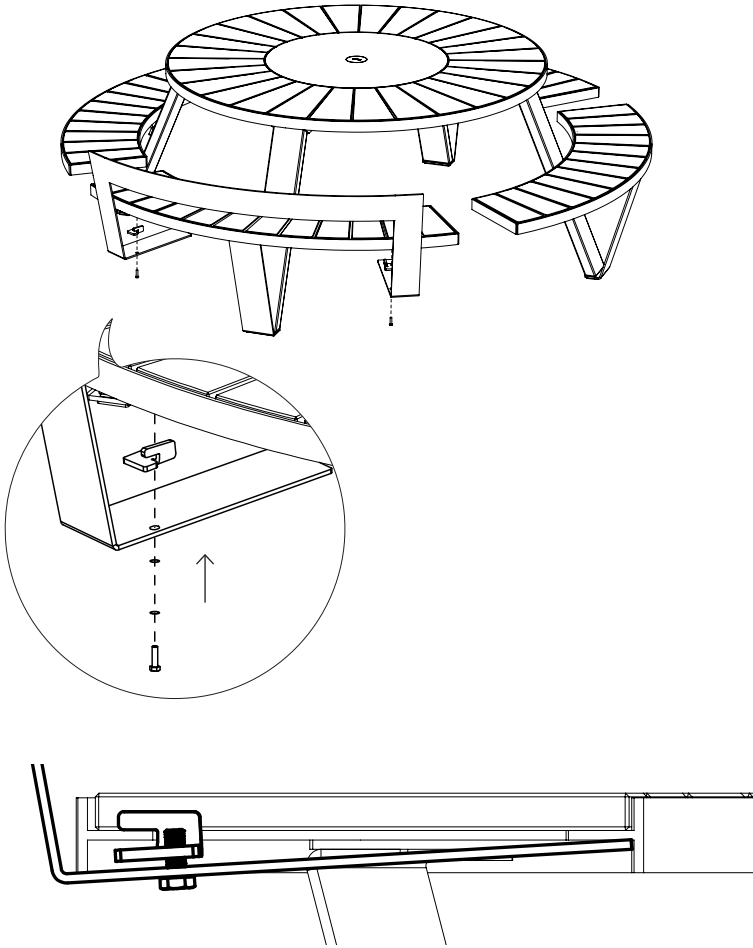
10'



p 19

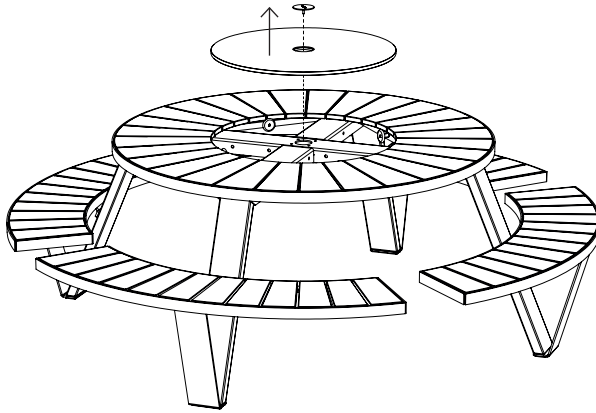


2.



Assembly with Inumbra

1.



N° 5

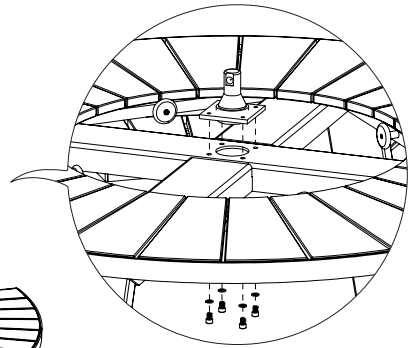
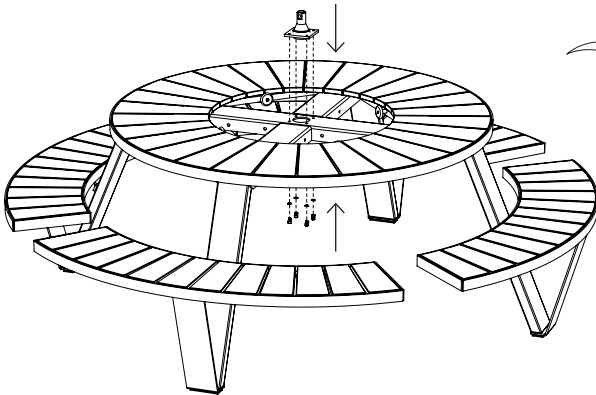


20'

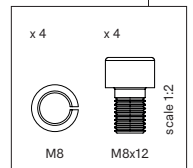


p 19

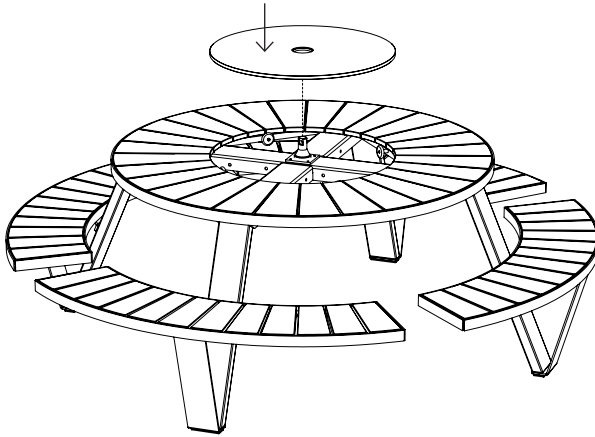
2.



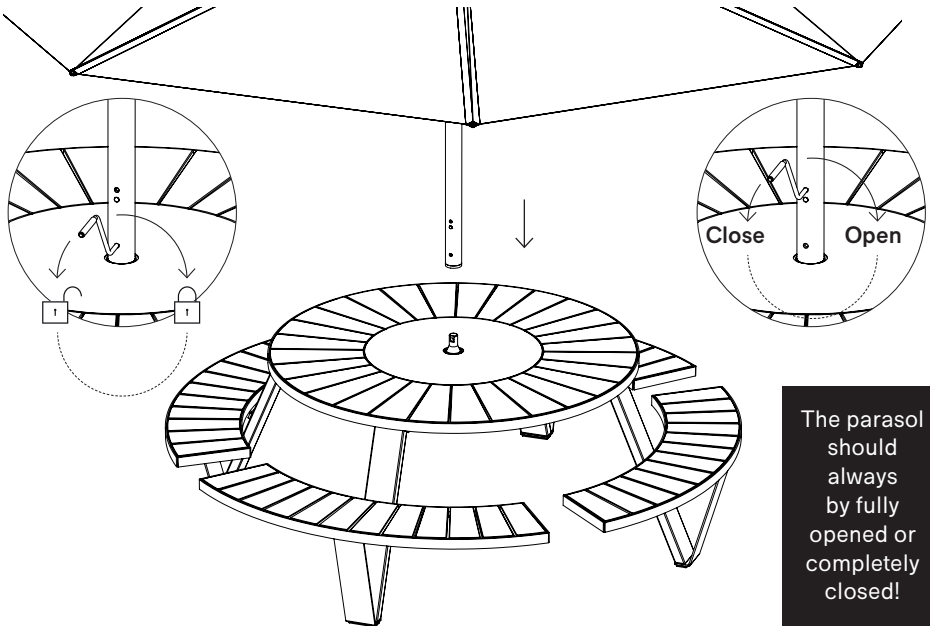
INU183



3.



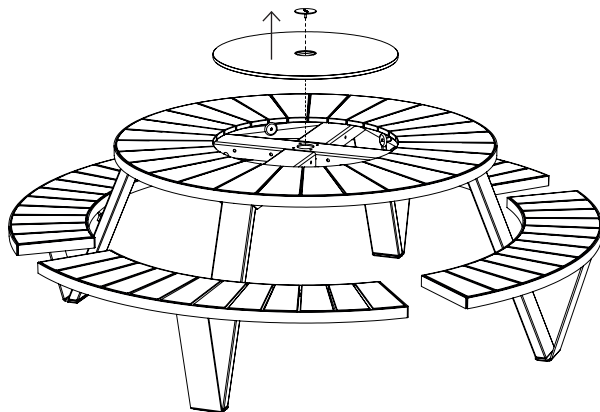
4.



The parasol should always be fully opened or completely closed!

Assembly with Inumbrina

1.



N° 5

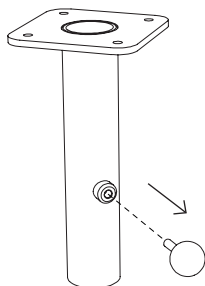


20'

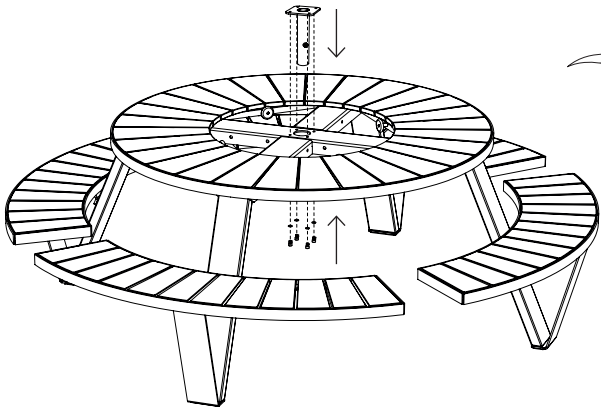


p 19

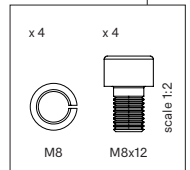
2.



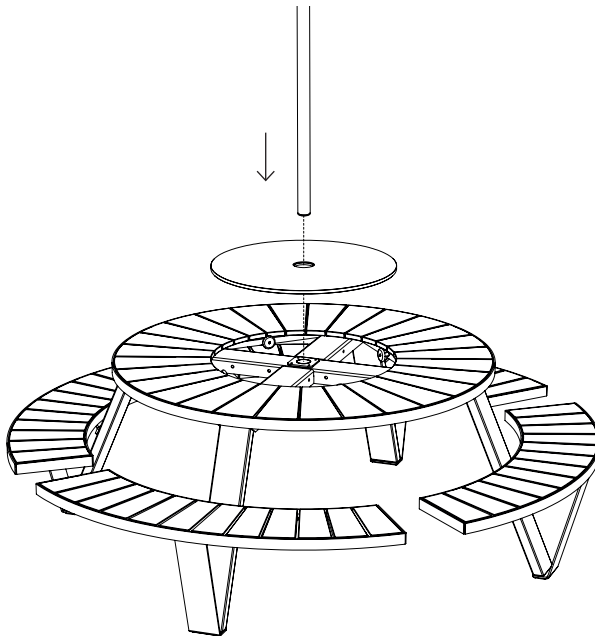
3.



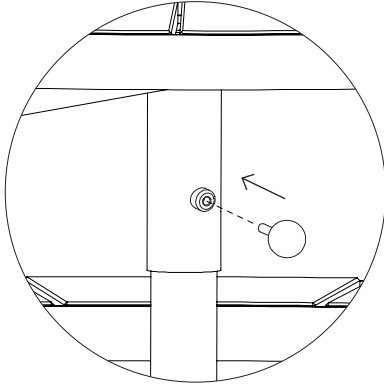
INU183



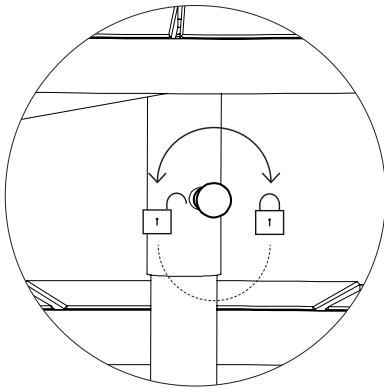
4.



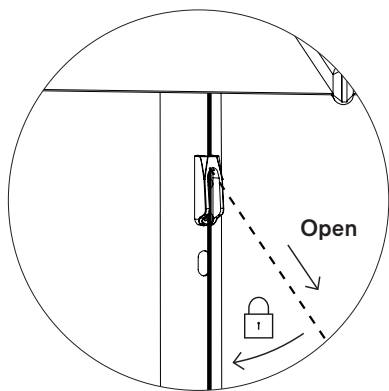
5.



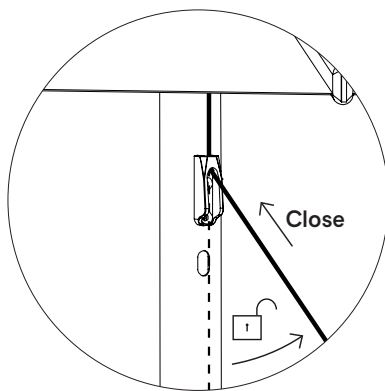
6.



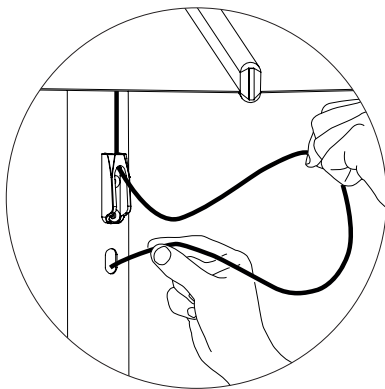
7a.



7b.



8.



The parasol should always be fully opened or completely closed!

Warnings – Assembly text instructions – Maintenance

English

WARNINGS

General

- Do not use any sharp tools to open the packaging.
- We strongly advise against using power tools.
- Tripping hazard, mind your step.
- Do not put out cigarettes on the table.
- Not graffiti proof.
- Do not leave children unattended whilst playing on the table.
- To avoid danger of suffocation, keep plastic bags away from babies and children.
- Colours can differ over years and from batch to batch.

Product

- Do not stand or jump on the table.
- Do not drag the table, but carry it with minimum 2 people.
- Anchoring the product has to be done by qualified people.
- For anchoring: use suitable bolts or screws from a specialized store depending on the material your terrace is made of.
- Do not stand on the Lazy Susan or on the benches.
- The white Lazy Susan reflects in the sunlight.
- Mind your fingers whilst assembling the Lazy Susan.
- Max. 3 people or 240 kg per bench.

Wood

- When delivered, the wood is untreated.
- Wood is a natural material and its look is different for every slat, plank and tree.
- Wood will gradually become rougher and start to turn grey as a consequence of exposure to the sun and rain. We recommend oiling the wood once or twice a year. 1x before the Summer and 1x after the Summer as protection for the Winter.
- Cleaning regularly with mild detergent. Never use a high pressure cleaner as this will roughen the wood's smooth surface and irreparably damage the wood's fibress.
- Thorough cleaning with Extremis Wood Cleaner.
- We strongly recommend that you treat your wood with wood oil to protect it from stains - Small cracks and crevices can also appear as part of

this process. We strongly advise everyone to treat the furniture with our Wood Protector. It is best to repeat this treatment each year.

Galvanised steel

- Galvanisation will become less shiny when used outdoors.
- Flame retarding - NEN-EN13501-1 A1 - Class A1 products will not contribute to fire in any stage, including fully developed fire. For this reason, they are assumed to be capable of satisfying all requirements of all lower classes as well.
- Possible impurities in the immersion tank can cause black marks during galvanization, which are intrinsic to this industrial finishing technique.
- White marks on this zinc layer are also intrinsic to this procedure and will disappear when the furniture is put outdoors.
- This industrial finishing technique may result in a rougher surface. This is intrinsic to the process.

Powder-coating

- White powder-coating requires more maintenance.
- Do not use abrasive scouring powders or scourers as they will scratch the surface.
- Colour can fade to some extent when exposed to UV.
- Flame retarding - NEN-EN13501-1 A2-sl - Satisfying the same criteria as Class B for the SBI-test according to EN13823. In addition, under conditions of a fully developed fire these products will not significantly contribute to the fire load and fire growth.
- Dark colors can get very hot in sunny weather.

HPL

- UV colour fastness: >6 (EN438-2:27) en (ASTM G53-91).

Sunbrella

- Not waterproof, store inside!
- Shake or brush off loose dirt immediately.
- UV colour fastness: 7/8 (ISO 105-B02).

ASSEMBLY INSTRUCTIONS

Pantagrue! picnic - p6

1. Put the tabletop diagonally on the trestles.
2. Secure the support and the base plate (or the

- optional floor fastening plate, with the hole directed to the centre. Use the fixing media most suited to the type of ground on which you intend to install the Pantagruel.) to the leg with 2 bolts M8x25 but do not tighten it completely yet. Repeat this for all the legs.
- Put the bench upside down on a table (use the packaging as protection) & assemble the leg with 4 bolts M8x16 & the corrugated spring washers M8. After the bench is assembled, you can tighten the bolts of the base plate completely.
 - Secure the legs with the bench to the tabletop with 4 bolts M10x25. After assembling the first leg, mount the opposite leg to maintain balance.
 - Loosen the Lazy Susan by unscrewing the nut on the bottom of the tabletop and by removing the stainless steel plate.
 - Remove the Lazy Susan.
 - Assemble the wheels to the axles with 4 bolts M6x16 and flat washers M6. Use a 13 wrench when tightening the bolts to secure the axle. **Attention:** tighten the bolts, but do not fully tighten them.
 - Put the Lazy Susan and the stainless steel disk in the tabletop. **Optional Lazy Susan anchoring:** If you would like to anchor the Lazy Susan, you can assemble the stainless steel plate again on the bottom of the tabletop. Use the extra lock nut instead of the regular nut. This is a sustainable solution. Do not tighten the extra lock nut too much so the lazy susan can still rotate freely.

Backrest - p10

- Insert the two clips (per backrest) between the 2nd and 3rd plank, with its opening pointing towards the floor.
- Hold the backrest so that the holes in the flat parts are situated just below the holes in the clips. Two people are needed for this part of assembly. Put the bolts through the hole in the backrest and tighten them in the clips. Firmly tighten the bolts to prevent them from loosening spontaneously.

Cushions

- Place the cushion on the bench and attach it to the underside of the bench.

With Inumbra - p12

- Remove the Lazy Susan and the little disk.
- Put the Inumbra insert in the hole in the middle of the tabletop. Make sure that its conical part is facing upwards. Fasten the insert to the table, putting the bolts through the bottom of the table.
- Put the Lazy Susan back.

- Place the Inumbra on the stainless steel tube and fasten it by inserting the handle provided into the lowest hole of the tube and tightening it. Now open the parasol by inserting the handle into the highest hole in the tube and turning it. The parasol should always be fully opened or completely closed.

With Inumbria - p14

- Remove the Lazy Susan and the little disk.
- Remove the rotary knob from the connector.
- Put the Inumbria 38 insert in the hole in the middle of the tabletop. Make sure that the cylindrical part is facing downwards and the square plate is facing upwards. Fasten the insert to the table, putting the bolts through the bottom of the table.
- Put the Lazy Susan back and insert the Inumbria into the table.
- Reattach the rotary knob to the connector.
- Lock it by tightening the adjuster screw clockwise. The Inumbria is only properly locked into place if it can no longer spin on its axis.
- To open the parasol, pull hard on the rope until the crown meets the bolt.
 - To close it again, hold the rope at an angle as you release it. **TIP:** continue to hold the rope at an angle until the parasol is completely closed. The parasol should always be fully opened or completely closed.
- Now insert the rope into the provided hole in the parasol tube.

MAINTENANCE

Wood

DAY TO DAY CLEANING

Clean regularly and after every use

Wood doesn't need much maintenance, but the better you treat it, the longer it will last. Cleaning the wood regularly and immediately after use with a damp cloth will prevent fluids from penetrating deep into the wood. An oiled table will absorb liquids less quickly, keeping it clean for longer. To remove stubborn remains of dirt, simply use a stiff brush and some water. Be careful not to permanently damage the fibres. For this reason, never ever use a high-pressure cleaner to clean wood.

CLEANING

Once or twice a year

Depending on the weather conditions, wood needs a descent polish at least once a year. We would recommend to do this before Spring and before Winter, if your furniture is outside the whole year

round. Pick one of those humid, cloudy days, as it is better for the moisture level in the wood to dry out slowly after cleaning. For a thorough cleaning, we can recommend our Extremis Wood Cleaner. This is a bio-degradable cleansing shampoo for wooden furniture. The product removes grey discolouration, green deposits and dirt. Should any cracks appear, you can simply sand them down by hand using 80 grit sandpaper.

OILING

Once a year

You are free to protect your wood from UV, inclement weather and stains. Needless to say we strongly recommend to do this once a year. Extremis Wood Protector is a 100% natural product based on linseed oil. It is colourless, but the wood will be darker after this treatment. 0. Remove all residues of old applications.

MACHINE SANDING

Only every 2 to 4 years

After a few years, there will be little cracks and maybe some warping in your wood. This is completely normal, because wood is a natural, living material. Solid wood has the great benefit that you can sand away the top layer to make the surface smooth and flat again. You can do this every two to four years with a hand-held sander. Do it on a dry day. Use 80-grit sandpaper for this.

REPLACING A WOODEN PART

Hey! You don't need to be an engineer to understand our products. And you don't even need to be great at DIY to replace a part. Do make sure that you can't repair the damage simply by sanding the slat.

Galvanised steel

DAY TO DAY CLEANING

Regularly and after every use

Clean with lukewarm water and a mild detergent or Extremis Multi Cleaner.

REPAIRING DAMAGED PARTS WITH ZINC SPRAY

When damaged

Hot dip galvanisation is the most durable way of protecting metal against rusting. If the zinc coating is damaged, the exposed metal can rust. This can easily be touched up with zinc paint that automatically has the same colour and is readily available in shops. Zinc spray forms a quick drying, self healing and flexible coating that helps stop corrosion.

Powder-coating

CLEANING

Regularly

Use Extremis Multicleaner, a 100% biodegradable detergent or common kitchen cleaning products. Avoid using aggressive products. These surfaces are best cleaned with a neutral cleaning product diluted in water.

REMOVING STAINS

Only if nothing else helps

The magic eraser gets rid of most stubborn stains without effort. Only if stubborn stains remain visible after treatment according to the instructions, you can use the Extremis Magic Eraser sponge. This sponge is made of melamine resin and wears away with use. The sponge is very easy to use and gives results up to 26 times faster than a traditional microfibre cloth. The magic sponge is the solution for getting rid of stubborn stains such as felt-tip pens, grease, scuff marks, limescale marks or coffee and tea stains. The magic sponge can be used on tarpaulin fabric, plastic profiles, glass, steel, chrome, aluminium, porcelain, artificial leather and many types of floor.

REPAIRING DAMAGED POWDER-COATING

When damaged

The impact of sharp objects can damage the coating. Scratches or dents can be touched up with our paint pens. However this only camouflages the scratches without removing them.

HPL

SPILLED LIQUIDS

Immediately after use

Spilled liquids should be removed immediately with a clean, soft cloth, particularly in case of dark-coloured liquids such as wine, ink, coffee, coke, oil and bird droppings. If left to dry, these liquids may cause permanent damage!

CLEANING

Regularly and after every use

Use Extremis Multicleaner, a 100% biodegradable detergent or common kitchen cleaning products. Avoid using aggressive products. These surfaces are best cleaned with a neutral cleaning product diluted in water.

STUBBORN STAINS

Only if nothing else helps

The magic sponge gets rid of most stubborn stains without effort or you can remove them using acetone. If stubborn stains remain visible after treatment

according to the instructions, you can use the Extremis Magic Eraser sponge. This sponge is made of melamine resin and wears away with use. The sponge is very easy to use and gives results up to 26 times faster than a traditional microfibre cloth. The magic sponge is the solution for getting rid of stubborn stains such as felt-tip pens, grease, scuff marks, limescale marks or coffee and tea stains. The magic sponge can be used on tarpaulin fabric, plastic profiles, glass, steel, chrome, aluminium, porcelain, artificial leather and many types of floor.

Sunbrella

SPILLED LIQUIDS

Immediately after use

It is best to treat spilt liquids immediately by placing a sheet of absorbent kitchen paper on them. The water-resistant coating on the Sunbrella prevents droplets from penetrating the fabric.

REGULAR CLEANING

When dirty

Make a solution to remove stains on your Sunbrella.

MACHINE WASHING

Rarely

It is also possible to put the blankets and cushion covers in a washing machine (30°). Do not dry clean or tumble dry. The fabric can be creased. Ironing will help to recover the waterrepellent coating of the fabric, but only at a cool setting (delicates). As some irons exceed the recommended temperature at the synthetic setting, test a small, inconspicuous area before ironing the entire fabric. DO NOT use a steamer or iron set to the steam setting.

REMOVING STUBBORN STAINS

Only if nothing else helps

More drastic measures needed? Bleach can be used if nothing else helps. Protect the area around your Sunbrella fabric when using a bleach solution - bleach may discolour non-Sunbrella fabrics. Please be aware of the environment when cleaning with bleach. Bleach can have harmful effects on the natural environment around you. We do not advise using bleach if you are surrounded by a body of water or another environment that could be affected. If stains and/or mildew marks are severe, the quantity of bleach may be increased.

Watch the maintenance video on our website:
www.extremis.com/maintenance



Nederlands

WAARSCHUWINGEN

Algemeen

- Gebruik geen scherp gereedschap om de verpakking te openen.
- Het gebruik van elektrisch gereedschap wordt ten zeerste afgeraden.
- Struikelgevaar, let op waar u loopt.
- Doof geen sigaretten uit op de tafel.
- Niet bestand tegen graffiti.
- Laat kinderen niet onbewaakt achter wanneer ze op de tafel spelen.
- Houd plastic zakken weg om verstikkingsgevaar te voorkomen bij baby's en kinderen.
- Kleuren kunnen van jaar tot jaar en van partij tot partij verschillen.

Product

- Ga niet op de tafel staan of spring er niet op.
- Sleep de tafel niet, maar draag hem met minstens 2 personen.
- Het product moet worden verankerd door gekwalificeerde personen.
- Voor verankering: gebruik geschikte bouten of schroeven uit een gespecialiseerde winkel, afhankelijk van het materiaal waarvan uw terras is gemaakt.
- Ga niet op de Lazy Susan of op de banken staan.
- De witte Lazy Susan reflecteert het zonlicht.
- Let op uw vingers wanneer u de Lazy Susan in elkaar zet.
- Max. 3 personen of 240 kg per bank.

Hout

- Bij levering is het hout onbehandeld.
- Hout is een natuurlijk materiaal en ziet er voor elke lat, plank en boom anders uit.
- Hout zal geleidelijk aan ruwer worden en grijs worden als gevolg van blootstelling aan de zon en regen. Wij raden aan om het hout één of twee keer per jaar te oliën. 1x voor de zomer en 1x na de zomer als bescherming voor de winter.
- Regelmatig reinigen met een mild reinigingsmiddel. Gebruik nooit een hogedrukreiniger, omdat dit het gladde oppervlak van het hout ruw maakt en de vezels van het hout onherstelbaar beschadigt.
- Grondig reinigen met Extremis Wood Cleaner.
- Wij raden u ten zeerste aan om uw hout te behandelen met houtolie om het te beschermen tegen vlekken. Kleine scheurtjes en spleten kunnen hierbij ook optreden. Wij raden iedereen ten zeerste aan om de meubels te behandelen

met onze Wood Protector. Het is het beste om deze behandeling elk jaar te herhalen.

Gegalvaniseerd staal

- De galvanisatie zal minder glanzend worden bij gebruik buitenshuis.
- Vlamvertragend - NEN-EN13501-1 A1 - Klasse A1 producten dragen in geen enkel stadium bij aan brand, ook niet bij een volledig ontwikkelde brand. Om deze reden wordt aangenomen dat ze ook aan alle eisen van alle lagere klassen kunnen voldoen.
- Eventuele onzuiverheden in de dompelbak kunnen tijdens het verzinken zwarte vlekken veroorzaken, die inherent zijn aan deze industriële afwerkingstechniek.
- Witte vlekken op deze zinklaag zijn ook inherent aan deze procedure en zullen verdwijnen wanneer het meubilair buiten wordt geplaatst.
- Deze industriële afwerkingstechniek kan resulteren in een ruwer oppervlak. Dit is inherent aan het proces.

Poedercoating

- Witte poedercoating vereist meer onderhoud.
- Gebruik geen schuurpoeders of schuursponsjes omdat deze krassen op het oppervlak veroorzaken.
- De kleur kan in zekere mate vervagen bij blootstelling aan uv-straling.
- Vlamvertragend - NEN-EN13501-1 A2-sI - Voldoet aan dezelfde criteria als klasse B voor de SBI-test volgens EN13823. Bovendien zullen deze producten onder omstandigheden van een volledig ontwikkelde brand geen significante bijdrage leveren aan de brandbelasting en brandgroei.
- Donkere kleuren kunnen bij zonnig weer zeer heet worden.

HPL

- Uv-kleurvastheid: >6 (EN438-2:27) en (ASTM G53-91).

Sunbrella

- Niet waterdicht, binnen opbergen!
- Schud of borstel loszittend vuil onmiddellijk af.
- Uv-kleurvastheid: 7/8 (ISO 105-B02).

MONTAGE INSTRUCTIES

Pantagrueel picnic - p6

1. Plaats het tafelblad diagonaal op schragen.
2. Bevestig de steun en het voetplaatje (of het

- optionele grondverankeringsplaatje, met het gaatje naar binnen gericht. Gebruik hiervoor de bevestigingsmiddelen die meest geschikt zijn voor de ondergrond waarop de Pantagruel moet staan) aan de poot met 2 bouten M8x25 maar draai deze nog niet volledig aan. Herhaal dit voor alle poten.
- Plaats de bank omgekeerd op een tafel (gebruik de verpakking als bescherming) & monteer de poot erop met 4 bouten M8x16 & de gegolfde veerringen M8. Nadat de bank gemonteerd is mag je de bouten van het voetplaatje volledig vastdraaien.
 - Bevestig nu de poten met bank aan het tafelblad met telkens 4 bouten M10x25. Na het monteren van de eerste poot, monteer de tegenoverstaande poot om het evenwicht te behouden.
 - Maak vervolgens de Lazy Susan los door het moertje onderaan het tafelblad los te draaien en het rvs-plaatje te verwijderen.
 - Verwijder de Lazy Susan.
 - Monteer de wielen aan de asjes met 4 bouten M6x16 en vlakke sluitringen M6. Gebruik tijdens het aandraaien van de bouten een sleutel 13 om het asje vast te houden. Let op: de bouten aandraaien maar niet volledig aanspannen zodat de wieltjes nog vlot kunnen draaien.
 - Plaats de Lazy Susan en het afdekschijfje terug in het tafelblad. Optionele Lazy Susan verankerings: Indien u de Lazy Susan wenst te verankeren kan u het rvs-plaatje opnieuw monteren onderaan het tafelblad, gebruik dan de extra meegeleverde borgmoer in plaats van de gewone moer, dit is een duurzame oplossing. Let op dat je het rvs-plaatje met de borgmoer niet te hard aandraait zodat de Lazy Susan nog steeds vrij kan draaien.

Rugleuning - p10

- Plaats de twee beugeltjes (per leuning) met het gat naar onder gericht, tussen de 2e en de 3e lat aan de onderkant van de zitbank zoals op de afbeelding.
- Hou de rugleuning zodanig dat de gaten in de vlakke gedeeltes juist onder de gaten in de beugeltjes zitten. Steek de bouten door het gat van de leuning en draai ze vast in de beugeltjes. Span de bouten goed aan zodat de bouten niet vanzelf lossen.

Kussens

- Plaats het kussen op de bank en bevestig deze aan de onderkant van de bank.

Met Inumbra - p12

- Verwijder de Lazy Susan en het afdekschijfje.

- Plaats het Inumbra bevestigingsstuk op de middelste opening van het tafelblad. Doe dit met conische-stuk naar boven gericht. Bevestig dit stuk vervolgens vast aan de tafel, door de bouten onderaan door de tafel te steken.
- Leg nu de Lazy Susan terug op zijn plaats.
- Plaats de Inumbra op de rvs buis en zet deze vast door de meegeleverde hendel in het onderste gaatje te steken van de buis en aan te draaien. Open nu de parasol door de hendel in het bovenste gaatje van de buis te steken en te draaien. De parasol moet altijd volledig worden geopend of gesloten.

Met Inumbra - p14

- Verwijder de Lazy Susan en het afdekschijfje.
- Verwijder de draaiknop van het koppelstuk.
- Plaats het Inumbra koppelstuk op de middelste opening van het tafelblad. Doe dit met de cilinder naar beneden en met het vierkante plaatje naar boven gericht. Bevestig dit stuk vervolgens vast aan de tafel, door de bouten onderaan door de tafel te steken.
- Leg nu de Lazy Susan terug op zijn plaats en plaats de Inumbra in de tafel.
- Bevestig de draaiknop nu terug aan het koppelstuk.
- Vergrendel door de draaiknop in wijzerzin aan te draaien. Pas als de Inumbra niet meer rond haar as kan bewegen, is de stelschroef voldoende vastgeklemd.
- Om de parasol te openen, trek je stevig aan het touw, totdat de krans tegen het boutje komt.
 - Om de parasol terug te sluiten hou je het touw wat schuin. TIP: blijf het touw schuin vasthouden tot de parasol volledig gesloten is. De parasol moet altijd volledig worden geopend of gesloten.
- Steek nu het touw in het voorziene gat in de parasol buis.

ONDERHOUD

Hout

DAGELIJKSE REINIGING

Maak geregeld en na elk gebruik schoon

Hout heeft weinig onderhoud nodig, maar hoe beter je het behandelt, hoe langer het mee zal gaan. Regelmatig en onmiddellijk na gebruik het hout met een natte doek schoonmaken zorgt ervoor dat vloeistoffen niet diep in het hout kunnen dringen. Een geoliede tafel zal minder snel vloeistoffen absorberen en blijft dus langer proper. Om hardnekkige vuilresten te verwijderen, gebruik je simpelweg een harde borstel en wat water. Wees voorzichtig om de vezels niet definitief te beschadigen. Om die reden

mag je nooit of te nimmer een hogedrukreiniger gebruiken om hout te reinigen.

REINIGEN

Een of twee keer per jaar

Afhankelijk van de weersomstandigheden moet hout minstens één keer per jaar grondig worden gereinigd. Wij raden je aan om dit net voor de lente en net voor de winter te doen als je meubilair het hele jaar rond buiten blijft staan. Kies hiervoor een bewolkte dag met hoge luchtvochtigheid. Het is immers beter dat het vocht in het hout na de schoonmaakbeurt traag kan verdampen. Voor een grondige reiniging raden wij Extremis Wood Cleaner aan. Dit is een biologisch afbreekbare reinigingsshampoo voor houten meubels. Het product ontgrijsst en verwijdert groene aanslag en vuil. Eventuele barstjes kunnen met de hand worden gladgeschuurd. Gebruik hiervoor schuurpapier met korrel 80.

OLIËN

Een keer per jaar

Aan jou de keuze of je je hout al dan niet tegen UV-licht, ruw weer en vlekken wilt beschermen. Uiteraard raden wij je sterk aan om dit één keer per jaar te doen. Extremis Wood Protector is een 100% natuurlijk product op basis van lijnolie. Het is kleurloos, maar na behandeling is het hout donkerder. O. Verwijder alle resten van eerdere behandelingen.

SCHUREN MET EEN SCHUURMACHINE

Slechts om de 2 tot 4 jaar

Na enkele jaren zal je hout barstjes vertonen en misschien ook wel vervormd zijn. Dit is volkomen normaal aangezien hout een natuurlijke en levende materie is. Massief hout heeft het grote voordeel dat je de toplaag kan wegschuren om het oppervlak weer egaal en glad te maken. Dit kan je om de twee tot vier jaar eens met een handschuurmachine doen. Doe dit op een droge dag. Gebruik hiervoor korrel 80 schuurpapier.

HOUTEN ONDERDEEL VERVANGEN

Hey! Je hoeft geen ingenieur te zijn om onze producten te begrijpen. En om een stukje te vervangen hoef je niet eens zo handig te zijn. Wees er wel zeker van dat de schade niet hersteld kan worden door de plank op te schuren.

Gegalvaniseerd staal

DAGELIJKSE REINIGING

Geregeld en na elk gebruik

Maak schoon met lauwwater en een mild schoonmaakmiddel of Extremis Multi Cleaner.

BESCHADIGINGEN HERSTELLEN MET ZINKSPRAY

Indien beschadigd

Galvanisatie, of thermische verzinking, is de meest duurzame manier om metaal tegen roestvorming te beschermen. Als de zinklaag beschadigd raakt, kan het blootgekomen metaal toch roesten. Dit is eenvoudig bij te werken met zinkverf, die automatisch dezelfde kleur heeft en in de handel verkrijgbaar is. De zinkverf vormt een sneldrogende, zelfherstellende, flexibele laag die roestvorming helpt voorkomen.

Poedercoating

REINIGEN

Geregeld

Gebruik Extremis Multi Cleaner, een 100% biologisch afbreekbaar schoonmaakmiddel, of een gewoon schoonmaakmiddel zoals je in de keuken gebruikt. Gebruik geen agressieve producten. Voor deze oppervlakken gebruik je het best een neutraal schoonmaakmiddel, verdund met water.

VLEKKEN VERWIJDEREN

Alleen als laatste redmiddel

Het wondersponsje verwijdert moeiteloos de meeste hardnekkige vlekken. Je mag het Extremis wondersponsje alleen gebruiken als hardnekkige vlekken na een normale schoonmaakbeurt volgens de instructies zichtbaar blijven. Dit sponsje is gemaakt van melaminehars en slijt naarmate het wordt gebruikt. Het sponsje is zeer eenvoudig in gebruik en geeft tot 26x sneller resultaat dan een traditionele microvezeldoek. Het wondersponsje is de oplossing voor het verwijderen van hardnekkige vlekken zoals stiftvlekken, vet, schoenstrepen, kalkresten of koffie- en theeplekken. Het wondersponsje mag worden gebruikt op zeildoek, kunststofprofielen, glas, staal, chroom, aluminium, porselein, kunstleer en diverse vloeren.

BESCHADIGDE POEDERLAK HERSTELLEN

Indien beschadigd

Door impact van scherpe voorwerpen kan de lak beschadigd raken. Krassen of putjes kunnen worden bijgewerkt met onze verfstiften. Hiermee kun je echter alleen krassen camoufleren, de kras blijft echter.

HPL

GEMORSTE VLOEISTOFFEN

Onmiddellijk na gebruik

Gemorste vloeistoffen moet je onmiddellijk verwijderen met een schone, zachte doek, vooral donkere vloeistoffen zoals wijn, inkt, koffie, cola, olie en vogelpoep. Als je ze laat indrogen, veroorzaken deze vloeistoffen permanente schade!

REINIGEN

Geregeld en na elk gebruik

Gebruik Extremis Multi Cleaner, een 100% biologisch afbreekbaar schoonmaakmiddel, of een gewoon schoonmaakmiddel zoals je in de keuken gebruikt. Gebruik geen agressieve producten. Voor deze oppervlakken gebruik je het best een neutraal schoonmaakmiddel, verdund met water.

HARDNEKKIGE VLEKKEN

Alleen als laatste redmiddel

Het wondersponsje verwijdert moeiteloos de meeste hardnekkige vlekken. Je kunt ze ook met aceton verwijderen. Je mag het Extremis wondersponsje alleen gebruiken als hardnekkige vlekken na een normale schoonmaakbeurt volgens de instructies zichtbaar blijven. Dit sponsje is gemaakt van melaminehars en slijt naarmate het wordt gebruikt. Het sponsje is zeer eenvoudig in gebruik en geeft tot 26x sneller resultaat dan een traditionele microvezeldoek. Het wondersponsje is de oplossing voor het verwijderen van hardnekkige vlekken zoals stiftvlekken, vet, schoenstrepen, kalkresten of koffie- en theeplekken. Het wondersponsje mag worden gebruikt op zeildoek, kunststofprofielen, glas, staal, chroom, aluminium, porselein, kunstleer en diverse vloeren.

Sunbrella

GEMORSTE VLOEISTOFFEN

Onmiddellijk na gebruik

Gemorste vloeistoffen kunnen het best onmiddellijk worden behandeld door er een vel vochtabsorbierend keukenpapier op te leggen. De waterafstotende coating van Sunbrella voorkomt dat druppels in de stof dringen.

GEREGELD REINIGEN

Indien vuil

Maak een oplossing om vlekken op Sunbrella te verwijderen.

WASSEN IN DE WASMACHINE

Zelden

De dekens en kussenhoezen mogen ook in de wasmachine worden gewassen (op 30°C). Stop ze nooit in de droogkast en laat ze niet chemisch reinigen. De stof kan na het wassen gekreukeld zijn. Strijken helpt om de waterafstotende film op de stof te herstellen, maar alleen bij lage temperatuur (delicate stoffen). Op de stand voor synthetische stoffen worden sommige strijkijzers warmer dan de aanbevolen temperatuur. Test daarom altijd eerst een klein onopvallend stukje voordat je het hele item strijkt. Gebruik NOOIT stoom of een strijkijzer op de stoomstand.

HARDNEKKIGE VLEKKEN VERWIJDEREN

Alleen als laatste redmiddel

Drastischer maatregelen nodig? Als niets anders helpt, kan bleekmiddel worden gebruikt. Bescherm het gebied rond je Sunbrella-stof indien je een oplossing met bleekmiddel gebruikt die niet-Sunbrella-stoffen kan doen verkleuren. Let op het milieu wanneer je bleekmiddelen gebruikt. Bleekmiddelen kunnen schadelijk zijn voor de natuur rondom jou. Daarom raden wij af om bleekmiddelen te gebruiken in de buurt van water of natuurlijke omgevingen die beschadigd kunnen worden door het bleekmiddel. Bij hardnekkige vlekken en/of schimmel mag meer bleekmiddel worden gebruikt.

Bekijk de onderhoudsvideo's op onze website:
www.extremis.com/maintenance



Deutsch

WARNUNG

Allgemeines

- Zum Öffnen der Verpackung keine scharfen Werkzeuge verwenden.
- Wir raten dringend davon ab, Elektrowerkzeuge zu nutzen.
- Stolpergefahr, Vorsicht beim Gehen!
- Zigaretten nicht auf dem Tisch ausdrücken.
- Nicht graffitibeständig.
- Lassen Sie Kinder beim Spielen auf dem Tisch nicht unbeaufsichtigt.
- Halten Sie Plastiktüten von Babys und Kindern fern, um Erstickungsgefahr zu vermeiden.
- Farben können über die Jahre und von Charge zu Charge variieren.

Produkt

- Nicht auf dem Tisch stehen oder auf ihn springen.
- Den Tisch nicht über den Boden ziehen, sondern mit mindestens 2 Personen heben.
- Die Verankerung des Produkts muss von qualifizierten Personen durchgeführt werden.
- Zur Verankerung: Verwenden Sie je nach Material, aus dem Ihre Terrasse besteht, geeignete Schrauben oder Bolzen aus dem Fachhandel.
- Nicht auf der Drehplatte oder den Bänken stehen.
- Die weiße Drehplatte reflektiert im Sonnenlicht.
- Achten Sie bei der Montage der Drehplatte auf Ihre Finger.
- Max. 3 Personen oder 240 kg pro Bank.

Holz

- Bei Lieferung ist das Holz geölt.
- Holz ist ein natürliches Material und sein Aussehen ist für jede Lamelle, jedes Brett und jeden Baum anders.
- Regelmäßige Reinigung mit milden Reinigungsmitteln. Verwenden Sie niemals einen Hochdruckreiniger, da dies die glatte Oberfläche des Holzes aufrauen und die Holzfasern irreparabel beschädigen kann.
- Gründliche Reinigung mit Extremis-Holzreiniger.
- Wir empfehlen, das Holz zur Fleckenvorbeugung mit Öl zu behandeln. Dabei können auch kleine Risse und Spalten entstehen. Wir empfehlen jedem, die Möbel mit unserem Holzschutz zu behandeln. Es ist das Beste, diese Behandlung jedes Jahr zu wiederholen.

Feuerverzinkter Stahl

- Die Verzinkung wird bei Verwendung im Freien

weniger glänzend.

- Flammhemmend - NEN-EN13501-1 A1 - Klasse A1-Produkte tragen in keiner Phase zum Brand bei, auch nicht bei voll entwickeltem Feuer. Aus diesem Grund wird angenommen, dass sie auch alle Anforderungen aller unteren Klassen erfüllen.
- Mögliche Verunreinigungen im Tauchbecken können bei der Verzinkung schwarze Flecken verursachen, die dieser industriellen Veredelungstechnik eigen sind.
- Weiße Flecken auf dieser Zinkschicht sind ebenfalls Bestandteil dieses Verfahrens und verschwinden, wenn die Möbel im Freien aufgestellt werden.
- Diese industrielle Veredelungstechnik kann zu einer rauerer Oberfläche führen. Dies ist ein untrennbarer Bestandteil des Verfahrens.

Pulverbeschichtung

- Weiße Pulverbeschichtung erfordert mehr Wartung.
- Verwenden Sie keine scheuernden Reinigungsmittel oder Topfreiniger, da diese die Oberfläche verkratzen.
- Die Farbe kann unter UV-Belastung bis zu einem gewissen Grad verblassen.
- Flammhemmend - NEN-EN13501-1 A2-sl - Erfüllt die gleichen Kriterien wie Klasse B für die SBI-Prüfung nach EN13823. Darüber hinaus werden diese Produkte bei einem voll entwickelten Feuer nicht wesentlich zur Brandlast und zur Brandverbreitung beitragen.
- Dunkle Farben können bei sonnigem Wetter sehr heiß werden.

HPL

- UV-Farbechtheit: > 6 (EN438-2:27) und (ASTM G53-91).

Sunbrella

- Nicht wasserfest, drinnen lagern!
- Lösen Schmutz sofort ausschütteln oder abbürsten.
- UV-Farbechtheit: 7/8 (ISO 105-B02).

MONTAGEANLEITUNGEN

Picnic - p6

1. Legen Sie die Tischplatte diagonal auf Böcke.
2. Befestigen Sie die Stütze und die Bodenplatte (oder die optionale Bodenverankerungsplatte mit dem Loch nach innen gerichtet. Benutzen Sie hierzu die Befestigungsmittel, die am besten für die Unterlage, auf der der Pantagrueel stehen sollte, geeignet sind) mit 2 Senkkopfschrauben

- M8x25 am Tischbein, aber ziehen Sie diese noch nicht ganz fest. Wiederholen Sie das bei allen Tischbeinen.
- Legen Sie die Bank umgekehrt auf einen Tisch (verwenden Sie die Verpackung zum Schutz als Unterlage) und montieren Sie das Tischbein mit 4 Schrauben M8x16 und den gebogenen Sprengringen M8 daran. Nachdem die Bank montiert ist, können Sie die Schrauben der Bodenplatte fest anziehen.
 - Befestigen Sie die Tischbeine mit Bank mit 4 Schrauben M10x25 an der Tischplatte. Nach dem Montieren des ersten Tischbeins montieren Sie das gegenüber liegende Tischbein, um das Gleichgewicht zu bewahren.
 - Lösen Sie dann die Lazy Susan, indem Sie die Mutter unter der Tischplatte lösen und die Edelstahlplatte entfernen.
 - Die Lazy Susan entfernen.
 - Montieren Sie die Räder mit 4 Schrauben M6x16 und flachen Unterlegscheiben M6 an den Achsen. Verwenden Sie beim Anziehen der Schrauben den 13-er-Schlüssel, um die Achsen zu fixieren. **Achtung:** Festziehen der Schrauben, aber nicht vollständig anziehend, sodass sich die Räder noch immer frei drehen kann.
 - Setzen Sie die Lazy Susan und die Abdeckscheibe in die Tischplatte ein. **Optional verankerung:** Falls Sie die Lazy Susan (zum Beispiel gegen Diebstahl) verankern wollen, können Sie die Edelstahlplatte wieder unter der Tischplatte montieren. Verwenden Sie in die sem Fall die Mitgelieferte Sicherungsmutter anstelle der normalen Mutter. Hierbei handelt es sich um eine Dauerlösung. Achten Sie je doch darauf, dass Sie die Edelstahlplatte mit der Sicherungsmutter nicht zu fest anziehen, sodass sich die Lazy Susan noch immer frei drehen kann.

Rückenlehne - p10

- Schiebe die zwei kleinen Bügel - jede Rückenlehne verfügt über zwei Bügel - mit dem Loch nach unten zwischen der 2. und 3. Latte, an der Unterseite der Sitzbank, wie in der Figur gezeigt.
- Halte die Rückenlehne derart, dass die Flachteilelöcher sich genau unter denen der Bügel befinden. Lassen Sie sich dabei von einer 2. Person helfen. Stecke die Bolzen in das Rückenlehenloch und drehe sie in den Bügeln fest. Ziehe die Bolzen mit einem Steckschlüssel fest an, sodass sie sich nicht von selbst lösen.

Kissen

- Legen Sie das Kissen auf die Bank und befestigen Sie es an der Bankunterseite.

Pantagrue! + Inumbra - p12

- Entfernen Sie die Lazy Susan und die Abdeckscheibe.
- Setzen Sie das Inumbra-Verbindungsstück in die mittige Öffnung der Tischplatte ein. Achten Sie darauf, dass die konische Seite nach oben gerichtet ist. Schrauben unten durch den Tisch stecken.
- Setzen Sie die Lazy Susan jetzt wieder an ihrem Platz im Tisch ein und
- Stellen Sie den Inumbra in das Edelstahlrohr und befestigen Sie ihn, indem Sie die im Lieferumfang enthaltene Kurbel in das unterste Loch des Rohrs stecken und festdrehen. Zum Öffnen des Sonnenschirms stecken Sie jetzt die Kurbel in das oberste Loch des Rohrs und drehen Sie sie. Der Sonnenschirm sollte entweder vollständig geöffnet oder geschlossen sein.

Pantagrue! + Inumbra - p14

- Entfernen Sie die Lazy Susan und die Abdeckscheibe.
- Drehknopf vom Verbindungsstück entfernen.
- Setzen Sie das Inumbra-38-Verbindungsstück in die mittige Öffnung der Tischplatte ein. Achten Sie darauf, dass der Zylinder nach unten und die quadratische Platte nach oben weisen. Schrauben unten durch den Tisch stecken.
- Setzen Sie die Lazy Susan jetzt wieder an ihrem Platz im Tisch ein und stecken Sie den Inumbra in den Tisch.
- Den Drehknopf jetzt wieder am Verbindungsstück befestigen.
- Verriegeln Sie ihn, indem Sie die Stellschraube im Uhrzeigersinn anziehen. Erst wenn sich der Inumbra nicht mehr um seine Achse bewegen kann, ist die Stellschraube ausreichend angezogen.
- Zum Öffnen des Sonnenschirms ziehen Sie kräftig am Seil, bis der Kranz an der Schraube anliegt.
 - Um den Sonnenschirm wieder zu schließen, müssen Sie das Seil etwas schräg halten. **TIPP:** Halten Sie das Seil schräg fest, bis der Sonnenschirm vollständig geschlossen ist. Der Sonnenschirm sollte entweder vollständig geöffnet oder geschlossen sein.
- Führen Sie nun das Seil in das dafür vorgesehene Loch im Sonnenschirmrohr ein.

PFLEGE

Holz

TÄGLICHE REINIGUNG

Regelmäßig und nach jeder Nutzung reinigen

Holz benötigt kaum Pflege, aber je besser sie es behandeln, desto länger haben Sie Freude daran. Wenn das Holz regelmäßig und gleich nach jeder Nutzung mit einem feuchten Tuch abgewischt wird, können Flüssigkeiten nicht tief eindringen. Bei geölten Tischen bleiben Flüssigkeiten ebenfalls an der Oberfläche und der Tisch bleibt länger sauber. Hartnäckige Verschmutzungen können einfach mit einer Bürste und etwas Wasser entfernt werden. Achten Sie dabei darauf, dass die Fasern nicht irreparabel beschädigt werden. Deshalb darf Holz in keinem Fall mit einem Hochdruckreiniger gereinigt werden.

REINIGEN

Ein- bis zweimal jährlich

Je nach Wetterbedingungen muss Holz mindestens einmal pro Jahr ordentlich aufpoliert werden. Die idealen Zeitpunkte dafür sind vor dem Frühling und vor dem Winter, jedenfalls dann, wenn Ihre Möbel das ganze Jahr über draußen stehen. Wählen Sie am besten einen feuchten Wolkentag, denn das Holz sollte nach dem Reinigen nur langsam trocknen. Für eine optimale Reinigung empfehlen wir den Holzreiniger von Extremis, ein biologisch abbaubares Shampoo speziell für Holzmöbel. Der Reiniger entfernt graue Verfärbungen, grünen Belag und Schmutz. Eventuelle Risse können einfach von Hand mit Sandpapier (Körnung 80) abgeschliffen werden.

ÖLEN

Einmal jährlich

Damit Ihr Holz gegen UV-Strahlen, schlechtes Wetter und Flecken geschützt ist, sollten Sie es unbedingt einmal pro Jahr ölen. Das Holzöl von Extremis ist ein rein natürliches Produkt auf Leinölbasis. Das Öl ist farblos, macht das Holz aber nach der Behandlung etwas dunkler. O. Alle Reste früherer Behandlungen entfernen.

MIT DER MASCHINE SCHLEIFEN

Nur alle 2 bis 4 Jahre

Nach einigen Jahren kann sich das Holz verziehen und es können kleine Risse auftreten. Das ist völlig normal, denn Holz ist ein lebendiges und natürliches Material. Massivholz hat den Vorteil, dass es abgeschliffen werden kann. Dadurch wird die Oberfläche wieder glatt und eben. Unsere Holzmöbel können alle zwei bis vier Jahre mit einer Handschleifmaschine geschliffen werden. Am besten wählen Sie dafür einen nicht zu trockenen Tag.

Verwenden Sie Schleifpapier mit 80er Körnung.

Feuerverzinkter Stahl

TÄGLICHE REINIGUNG

Regelmäßig und nach jeder Nutzung

Mit lauwarmem Wasser und einem milden Reinigungsmittel oder Extremis-Multireiniger säubern.

SCHADHAFTE STELLEN MIT ZINKSPRAY

Bei Beschädigung

Durch Feuerverzinkung sind Metalle langfristig und optimal gegen Rost geschützt. Wenn die Zinkbeschichtung beschädigt ist, kann das Metall rosten. Solche Schäden lassen sich mit Zinkfarbe leicht und optisch unauffällig ausbessern. Erhältlich im Einzelhandel. Das Zinkspray trocknet schnell und bildet eine selbstheilende und flexible Schicht, die vor Korrosion schützt.

Pulverbeschichtung

REINIGEN

Regelmäßig

Verwenden Sie den zum 100 % biologisch abbaubaren Extremis-Multireiniger oder einen herkömmlichen Allesreiniger. Keine aggressiven Reiniger verwenden. Am besten eignet sich ein neutrales Reinigungsmittel in Wasser.

FLECKEN ENFERNEN

Nur dann, wenn sonst nichts hilft

Das Wunderschwämmchen entfernt mühelos auch die hartnäckigsten Flecken. Verwenden Sie das Wunderschwämmchen von Extremis nur, wenn nach der Reinigung gemäß Anleitung noch Flecken zu sehen sind. Der Schwamm besteht aus Melaminharz und löst sich bei der Reinigung auf. Die Handhabung ist denkbar einfach und die Wirkung tritt 26 Mal schneller ein als bei einem herkömmlichen Mikrofasertuch. Das Wunderschwämmchen ist die Lösung bei hartnäckigen Flecken, zum Beispiel von Filzstiften und Fett, Scheuerstellen, Kalkablagerungen, Tee oder Kaffee. Der Schwamm kann für Planenstoff, Kunststoffprofile, Glas, Stahl, Chrom, Aluminium, Porzellan, Kunstleder und viele Bodenbeläge verwendet werden.

HPL

VERSCHÜTTETE FLÜSSIGKEITEN

Gleich nach der Nutzung

Verschüttete Flüssigkeiten, vor allem dunkle wie Rotwein, Tinte, Kaffee, Cola, Öl und Vogelkot, sollten unverzüglich mit einem sauberen, weichen Tuch entfernt werden. Wenn sie eintrocknen, können irreparable Schäden entstehen.

REINIGEN

Regelmäßig und nach jeder Nutzung

Verwenden Sie den zum 100 % biologisch abbaubaren Extremis-Multireiniger oder einen herkömmlichen Allesreiniger. Keine aggressiven Reiniger verwenden. Am besten eignet sich ein neutrales Reinigungsmittel in Wasser.

HARTNÄCKIGE FLECKEN

Nur dann, wenn sonst nichts hilft

Mit dem Wunderschwämmchen oder mit Aceton lassen sich mühelos auch die hartnäckigsten Flecken entfernen. Verwenden Sie das Wunderschwämmchen von Extremis, wenn nach der Reinigung gemäß Anleitung noch Flecken zu sehen sind. Der Schwamm besteht aus Melaminharz und löst sich bei der Reinigung auf. Die Handhabung ist denkbar einfach und die Wirkung tritt 26 Mal schneller ein als bei einem herkömmlichen Mikrofasertuch. Das Wunderschwämmchen ist die Lösung bei hartnäckigen Flecken, zum Beispiel von Filzstiften und Fett, Scheuerstellen, Kalkablagerungen, Tee oder Kaffee. Der Schwamm kann für Planenstoff, Kunststoffprofile, Glas, Stahl, Chrom, Aluminium, Porzellan, Kunstleder und viele Bodenbeläge verwendet werden.

Sunbrella

VERSCHÜTTETE FLÜSSIGKEITEN

Gleich nach der Nutzung

Verschüttete Flüssigkeiten am besten sofort mit saugfähigem Küchenpapier entfernen. Die wasserfeste Beschichtung von Sunbrella verhindert, dass Tropfen in den Stoff eindringen.

REGULAR CLEANING

Bei Verschmutzung

Flecken auf Sunbrella mit Wasser und Reinigungsmittel entfernen.

MASCHINENWÄSCHE

Selten

Die Decken und Kissenhüllen können auch in der Maschine gewaschen werden (30°). Keine chemische Reinigung und kein Wäschetrockner. Der Stoff kann knittern. Durch Bügeln mit niedriger Einstellung für empfindliche Stoffe regeneriert sich die wasserabweisende Beschichtung. Testen Sie die Temperatur des Bügeleisens zuvor an einer kleinen, unauffälligen Stelle. KEIN Dampfgerät oder Bügeleisen in Dampfeinstellung verwenden.

BEI HARTNÄCKIGEN FLECKEN

Nur dann, wenn sonst nichts hilft

Es sind drastischere Maßnahmen nötig? Wenn sonst nichts hilft, kann Bleichmittel verwendet werden.

Decken Sie die Flächen um den Sunbrella-Stoff ab, denn die Bleichlösung kann andere Stoffe entfärben. Denken Sie auch an die Umwelt. Bleichmittel kann Umweltschäden verursachen. Wir empfehlen, Bleichmittel nicht in der Nähe von Gewässern oder empfindlichen Ökosystemen zu verwenden. Bei starken Moder- oder Schimmelflecken kann die Bleichmittelmenge gesteigert werden.

Sehen Sie sich die
Wartungsvideos auf unserer
Website an:
www.extremis.com/maintenance



AVERTISSEMENTS

Général

- N'utilisez pas d'outils pointus pour ouvrir l'emballage.
- Nous déconseillons fortement d'utiliser des outils électriques.
- Risque de trébuchement, attention à la marche.
- N'éteignez pas de cigarettes sur la table.
- Ne résiste pas aux graffitis.
- Ne laissez pas des enfants jouer sur la table sans surveillance.
- Pour éviter tout risque d'étouffement, maintenez les sacs en plastique hors de portée des bébés et des enfants.
- Les couleurs peuvent varier au fil des années ou d'un lot à l'autre.

Produit

- Ne vous tenez pas debout, ne sautez pas sur la table.
- Ne tirez pas la table, mais portez-la au minimum à 2 personnes.
- Le produit doit être fixé par des gens qualifiés.
- Pour la fixation : utilisez des boulons ou des vis adaptés provenant d'un magasin spécialisé en fonction du matériau qui compose votre terrasse.
- Ne vous tenez pas debout sur le Lazy Suzan ou sur les bancs.
- Le modèle blanc Lazy Suzan reflète la lumière du soleil.
- Faites attention à vos doigts lors du montage du Lazy Suzan.
- Max. 3 personnes ou 240 kg par banc.

Bois

- Le bois est livré non traité.
- Le bois est un matériau naturel et son aspect est différent pour chaque latte, planche et arbre.
- Le bois deviendra progressivement plus rugueux et commencera à griser en raison de l'exposition au soleil et à la pluie. Nous conseillons de huiler le bois une ou deux fois par an. 1x avant l'été et 1x après l'été pour protéger de l'hiver.
- Nettoyez régulièrement avec un détergent doux. N'utilisez jamais de nettoyeur haute pression car cela rendrait la surface lisse du bois rugueuse et endommagerait irrémédiablement les fibres du bois.
- Nettoyage en profondeur avec Extremis Wood Cleaner.
- Nous vous conseillons vivement de traiter votre bois avec une huile pour bois pour le protéger

des tâches, de petites fissures et crevasses peuvent également apparaître au cours de cette opération. Nous recommandons à tout le monde de traiter le mobilier en bois avec notre protecteur spécifique. Il est préférable d'effectuer ce traitement tous les ans.

Acier galvanisé

- La galvanisation devient moins brillante lorsqu'elle est utilisée en extérieur.
- Ignifuge - NEN-EN13501-1 A1 - Les produits de classe A1 ne contribueront à aucun stade de l'incendie, y compris à un feu complètement développé. Pour cette raison, ils sont supposés être capables de satisfaire également toutes les exigences de toutes les classes inférieures.
- Des impuretés éventuelles dans la cuve d'immersion peuvent provoquer des taches noires lors de la galvanisation, qui sont indissociables de cette technique de finition industrielle.
- Les marques blanches sur cette couche de zinc sont également intrinsèques à ce procédé et disparaîtront lorsque les meubles seront placés à l'extérieur.
- Cette technique de finition industrielle peut engendrer une surface rugueuse. Cela fait partie intégrante du processus.

Thermolaquage

- Le thermolaquage nécessite plus d'entretien.
- N'utilisez pas de poudres à récurer abrasives ou de produits abrasifs, car ils risquent de rayer la surface.
- La couleur peut s'estomper dans une certaine mesure lorsqu'elle est exposée aux UV.
- Ignifuge- NEN-EN13501-1 A2-sl - Satisfaisant aux mêmes critères que la classe B pour l'essai SBI selon EN13823. De plus, dans les conditions d'un feu complètement développé, ces produits ne contribueront pas de manière significative à la charge calorifique et à la croissance du feu.
- Les couleurs foncées peuvent devenir très chaudes par temps ensoleillé.

HPL

- Résistance des couleurs aux UV : >6 (EN438-2:27) en (ASTM G53-91).

Sunbrella

- N'est pas imperméable, rangez à l'intérieur.
- Secouez ou brossez immédiatement la saleté.
- Résistance des couleurs aux UV : 7/8 (ISO 105-B02).

INSTRUCTIONS DE MONTAGE

Picnic - p6

1. Posez le plateau de table en diagonale sur des tréteaux.
2. Fixez le support et la plaquette de pied (ou la plaquette d'ancrage dans le sol en option, avec le petit trou orienté vers l'intérieur et fixez-la au sol à l'aide des moyens de fixation les plus appropriés au type de sol où vous entendez monter la table Pantagruel) au pied au moyen de 2 vis fraisées M8x25, mais ne serrez pas encore totalement ces dernières. Répétez cette opération pour chaque pied.
3. Placez le banc à l'envers sur une table (utilisez l'emballage en guise de protection) et montez le pied au moyen de 4 boulons M8x16 et des rondelles élastiques M8. Une fois le banc fixé au pied, vous pouvez serrer complètement les boulons de la plaquette.
4. Fixez les pieds avec le banc au plateau de table au moyen de 4 vis fraisées M10x25. Après avoir fixé le premier pied, passez au pied opposé pour garder l'ensemble en équilibre.
5. Détachez ensuite le lazy susan en desserrant le petit écrou sous le plateau de table et en enlevant la plaquette en inox.
6. Enlevez le Lazy Susan.
7. Montez les roues sur les axes avec 4 boulons M6x16 et les anneaux de serrage plats M6. Au moment de serrer les boulons, utilisez une clé plate n°13 pour maintenir l'axe. Attention: serrer les boulons, mais ne serrez pas complètement, afin que les roues puisse encore tourner librement.
8. Posez le lazy susan et le disque en inox dans le plateau de table. Fixation optionnelle du Lazy Susan: Si vous souhaitez fixer le lazy susan (par exemple pour empêcher qu'on ne le vole), vous pouvez refixer la plaquette en inox sous le plateau de table. Au lieu de l'écrou ordinaire, utilisez à cet effet le contre-écrou supplémentaire fourni, pour une fixation long terme. Veillez à ne pas trop serrer la plaquette en inox avec le contre-écrou, afin que le lazy susan puisse encore tourner librement.

Dossier - p10

1. Placez les deux étriers (par dossier) entre la deuxième et troisième planche avec l'ouverture orientée vers le bas sur la face inférieure du banc comme indiqué sur la figure.
2. Tenez le dossier de sorte que les trous dans les parties plates se trouvent juste en-dessous des trous des étriers. Il faudra demander l'aide d'une deuxième personne pour cette phase du

montage. Passez les boulons dans le trou du dossier et serrez-les dans les étriers. Serrez les boulons à l'aide d'une clé plate pour que les boulons ne se desserrent pas spontanément.

Coussins

1. Disposez les coussins sur les bancs et attachez-les sur la surface inférieure des bancs.

Pantagruel + Inumbra - p12

1. Retirer le Lasy Susan et le disque en inox.
2. Placez la pièce de connexion Inumbra dans l'orifice au centre du plateau de table, avec la partie conique orientée vers le haut. Fixez ensuite cette pièce à la table en insérant les boulons par le dessous à travers la table.
3. Reposez à présent le Lasy Susan dans la table.
4. Placez l'Inumbra sur le mât en inox et insérez la manivelle fournie dans le trou inférieur du mât et tournez pour serrer. Pour ouvrir le parasol, insérez à présent la manivelle dans le trou supérieur du mât et tournez. Le parasol doit être soit complètement ouvert soit complètement fermé.

Pantagruel + Inumbrina - p14

1. Retirer le Lasy Susan et le disque en inox.
2. Retirez le bouton rotatif du connecteur.
3. Placez la pièce de connexion Inumbrina 38 dans l'orifice au centre du plateau de table, avec le côté cylindrique orienté vers le bas et le côté carré orienté vers le haut. Fixez ensuite cette pièce à la table en insérant les boulons par le dessous à travers la table.
4. Reposez à présent le Lasy Susan dans la table et insérez l'Inumbrina dans l'orifice du plateau de la table.
5. Rattachez ensuite le bouton rotatif au connecteur.
6. Fixez-le en tournant la vis de réglage dans le sens des aiguilles d'une montre. Serrez jusqu'à ce que l'Inumbrina ne puisse plus tourner autour de son axe.
7.
 - a. Pour ouvrir le parasol, tirez fermement sur la corde jusqu'à ce que le coulisseau soit bloqué par le boulon.
 - b. Pour refermer le parasol, tenez la corde en imprimant un angle léger. CONSEIL : gardez la corde tendue avec cet angle jusqu'à ce que le parasol soit complètement fermé. Le parasol doit être soit complètement ouvert soit complètement fermé.
8. Insérez maintenant la corde dans le trou prévu à cet effet dans le tube du parasol.

ENTRETIEN

Bois

NETTOYAGE QUOTIDIEN

Nettoyez régulièrement et après chaque utilisation

Le bois ne nécessite pas beaucoup d'entretien, mais mieux vous en prenez soin, plus longtemps il durera. Nettoyez votre bois régulièrement et juste après utilisation avec un linge humide pour empêcher les fluides de pénétrer dans le bois. Une table huile absorbera les liquides moins rapidement, et elle restera propre plus longtemps. Pour éliminer les traces tenaces, utilisez une brosse et un peu d'eau. Faites attention à ne pas endommager irrémédiablement les fibres. C'est la raison pour laquelle il ne faut pas utiliser de nettoyeur haute-pression pour nettoyer du bois.

NETTOYER

Une ou deux fois par an

En fonction des conditions climatiques, le bois doit être poncé une fois par an au moins. Nous vous recommandons de le faire avant le printemps et l'hiver, si votre mobilier reste dehors toute l'année. Le mieux est de le faire par un jour humide et nuageux, car il est préférable que l'humidité présente dans le bois sèche lentement après le nettoyage. Pour un nettoyage en profondeur, nous vous recommandons notre Extremis Wood Cleaner. Il s'agit d'un sham-pooing nettoyant biodégradable pour mobilier en bois. Ce produit élimine le grisonnement, les dépôts verts et la poussière. Si des fissures apparaissent, poncez-les avec du papier de verre 80.

HUILER

Une fois par an

Vous pouvez protéger votre bois des rayons UV, du climat et des taches. Inutile de préciser que nous recommandons vivement de faire cela une fois par an. Extremis Wood Protector est une huile 100% naturelle à base de graines de lin. Elle est incolore, mais le bois fonce une fois huilé. O. Éliminez tous les résidus et les anciennes couches.

PONÇAGE MACHINAL

Tous les 2 à 4 ans

Après quelques années, des fissures peuvent apparaître, ou le bois peut se déformer. C'est parfaitement normal, parce que le bois est un matériau naturel qui vit. Le bois massif présente un gros avantage : vous pouvez toujours poncer la surface pour la lisser à nouveau. Vous pouvez le faire tous les 2 à 4 ans avec une ponceuse. Faites cela par une journée sans pluie. Utilisez du papier de verre avec un grain 80.

Acier galvanisé

NETTOYAGE QUOTIDIEN

Régulièrement et après chaque utilisation

Nettoyez à l'eau tiède avec un détergent doux ou de l'Extremis Multi Cleaner.

RÉPARATIONS DES ZONES ENDOMMAGÉES AVEC UN SPRAY AU ZINC

Si le revêtement poudré est endommagé

La galvanisation à chaud est la façon la plus durable de protéger le métal de la rouille. Si l'enduit zingué est endommagé, le métal exposé peut rouiller. Cela peut être retouché aisément avec notre peinture au zinc qui a automatiquement la même couleur et est disponible dans nos boutiques. Le zinc en spray forme une couche qui sèche rapidement, à réparation automatique et flexible pour aider à arrêter la corrosion.

Thermolaquage

NETTOYAGE

Régulièrement

Utilisez de l'Extremis Multicleaner, un détergent 100% biodégradable ou un produit de nettoyage classique. Évitez d'utiliser des produits agressifs. Il est préférable de nettoyer ces surfaces avec un produit de nettoyage neutre dilué dans l'eau.

ENLEVER DES TACHES

Uniquement si rien d'autre ne marche

Le magic eraser éliminer la plupart des taches tenaces sans effort. N'utilisez l'éponge Extremis Magic Eraser que si des taches tenaces subsistent après avoir nettoyé selon les instructions. Cette éponge en résine de mélamine s'utilise à l'usage. Elle est très facile d'utilisation et donne des résultats jusqu'à 26 fois plus rapides qu'un linge microfibre classique. L'éponge magique est la solution pour se débarrasser des taches tenaces (marqueur, graisse, éraflures, calcaire, café ou thé). L'éponge magique peut être utilisée sur de la toile, des profilés en plastique, du verre, de l'acier, du chrome, de l'aluminium, de la porcelaine, du similicuir et de nombreux types de sol.

RÉPARER DU MOBILIER

Si le revêtement poudré est endommagé

L'impact d'objets contondants peut endommager le revêtement. Les éraflures et les entailles peuvent être retouchées avec nos marqueurs de peinture. Cela ne fait toutefois que camoufler, et non éliminer le problème.

HPL

TACHES DE LIQUIDES

Immédiatement après utilisation

Nettoyez immédiatement les taches de liquide avec un linge propre et doux, surtout s'il s'agit de liquide foncé tel vin, encre, café, coca-cola, huile et déjections d'oiseaux. Si vous laissez sécher de telles taches, le dommage peut être permanent !

NETTOYER

Régulièrement et après chaque utilisation

Utilisez de l'Extremis Multicleaner, un détergent 100% biodégradable ou un produit de nettoyage classique. Évitez d'utiliser des produits agressifs. Il est préférable de nettoyer ces surfaces avec un produit de nettoyage neutre dilué dans l'eau.

TACHES TENACES

Uniquement si rien d'autre ne marche

L'éponge magique élimine les taches les plus tenaces sans efforts. Vous pouvez également utiliser de l'acétone. Si les taches tenaces restent visibles après traitement selon les instructions, vous pouvez utiliser l'éponge Extremis Magic Eraser. Cette éponge en résine de mélamine s'use à l'usage. Elle est très facile d'utilisation et donne des résultats jusqu'à 26 fois plus rapides qu'un linge microfibre classique. L'éponge magique est la solution pour se débarrasser des taches tenaces (marqueur, graisse, éraflures, calcaire, café ou thé). L'éponge magique peut être utilisée sur de la toile, des profilés en plastique, du verre, de l'acier, du chrome, de l'aluminium, de la porcelaine, du similicuir et de nombreux types de sol.

Sunbrella

TACHES DE LIQUIDES

Immédiatement après utilisation

Il est préférable de traiter une tache de liquide immédiatement, avec une feuille de papier essuie-tout. L'enduit imperméable du Sunbrella empêche les gouttes de pénétrer dans le tissu.

NETTOYAGE RÉGULIER

Lorsque votre Sunbrella est sale

Une solution pour éliminer les taches sur votre Sunbrella.

LAVAGE EN MACHINE

Rarement

Vous pouvez également mettre les couvertures et housses de coussin à la machine (30°). Pas de nettoyage à sec ni de séchage en machine. Le tissu peut être froissé. Un repassage peut restaurer l'enduit imperméable du tissu, mais uniquement à

faible température (délicat). Certains fers dépassant la température recommandée pour les synthétiques, faites un test sur une petite zone invisible avant de repasser la totalité. N'utilisez pas de vapeur.

TACHES TENACES

Uniquement si rien d'autre ne marche

Besoin de mesures plus drastiques ? La Javel peut être utilisée si rien d'autre ne marche. Protégez la zone alentours de votre tissu Sunbrella lorsque vous utilisez de la Javel, qui peut décolorer les autres types de tissu. Pensez également à l'environnement ! En effet, la Javel peut avoir des effets néfastes sur l'environnement et la santé. Ne vous recommandons de ne pas utiliser de Javel à proximité d'une étendue d'eau ou d'un autre environnement sensible. Si les taches / moisissures sont importantes, vous pouvez augmenter la quantité de Javel.

Voir les vidéos d'entretien sur
notre site web:
www.extremis.com/maintenance



Italiano

AVERTENZE

Generale

- Non utilizzare attrezzi o utensili affilati per aprire la confezione.
- Si sconsiglia vivamente l'uso di utensili elettrici.
- Attenzione, pericolo di inciampo.
- Non spegnere le sigarette sul tavolo.
- Non a prova di graffito.
- Non consentire ai bambini di giocare sul tavolo in assenza del monitoraggio di un adulto.
- Per evitare il pericolo di soffocamento, tenere i sacchetti di plastica lontano da neonati e bambini.
- I colori possono variare negli anni e da una serie all'altra.

Prodotti

- Non salire o saltare sul tavolo.
- Non trascinare il tavolo, ma sollevarlo, operazione per cui sono necessarie almeno 2 persone.
- L'ancoraggio del prodotto deve essere effettuato da personale qualificato.
- Per l'ancoraggio: utilizzare viti e bulloni adatti acquistandoli presso un negozio specializzato in base al materiale in cui è realizzato il proprio terrazzo.
- Non stare in piedi sul Lazy Susan o sulle panche.
- Il Lazy Susan bianco riflette la luce solare.
- Fare attenzione alle dita durante il montaggio del Lazy Susan.
- Massimo 3 persone o 240 kg per panca.

Legno

- Alla consegna il legno è grezzo.
- Il legno è un materiale naturale e il suo aspetto varia per ogni dogia, asse o albero.
- Il legno diverrà gradualmente più ruvido e inizierà a diventare grigio in conseguenza dell'esposizione al sole o alla pioggia. Si consiglia di oliare il legno una o due volte l'anno. 1x prima dell'estate e 1x dopo l'estate come protezione per l'inverno.
- Pulirlo regolarmente con un detergente delicato. Non usare mai un pulitore ad alta pressione, poiché questo renderebbe più ruvida la superficie liscia del legno, danneggiandone irreparabilmente le fibre.
- Pulire a fondo con il detergente per legno Extremis.
- Si raccomanda vivamente di trattare il legno con dell'olio per proteggerlo dalle macchie - Questo

processo può provocare delle piccole crepe o fessure. Si raccomanda vivamente di trattare gli arredi con il nostro olio protettivo per il legno. Ripetere questo trattamento ogni anno.

Acciaio zincato

- Se il prodotto è utilizzato all'esterno, la zincatura perderà la sua brillantezza.
- Ritardante di fiamma - NEN-EN13501-1 A1 - I prodotti di classe A1 non contribuiscono ad alimentare e a propagare un incendio a nessun livello, neanche in caso di incendio completamente sviluppato. Per questo motivo, si considera che sono in grado di soddisfare tutti i requisiti anche delle classi più basse.
- Eventuali impurità presenti nel serbatoio a immersione possono provocare dei segni neri durante la zincatura, del tutto normali per questo tipo di tecnica di finitura industriale.
- I segni bianchi presenti su questo strato di zinco sono altrettanto normali per questo processo e spariranno una volta che il mobile viene collocato all'esterno.
- Questa tecnica di finitura industriale potrebbe dar vita a una superficie più ruvida. Si tratta di una normale conseguenza del processo.

Verniciatura a polvere

- La verniciatura a polvere bianca richiede una maggiore manutenzione.
- Non utilizzare polveri abrasive o spugne abrasive, poiché possono graffiare la superficie.
- Se esposto ai raggi UV, il colore può sbiadire.
- Ritardante di fiamma - NEN-EN13501-1 A2-sl - Soddisfa gli stessi criteri della Classe B per il test SBI conformemente alla norma EN13823. Inoltre, in condizioni di incendio completamente sviluppato, questi prodotti non contribuiscono in modo significativo ad alimentare e propagare le fiamme.
- I colori scuri possono diventare molto caldi se esposti direttamente ai raggi solari.

HPL

- Solidità del colore ai raggi UV: >6 (EN438-2:27) e (ASTM G53-91).

Sunbrella

- Non impermeabile, conservare all'interno!
- Scrollare o spazzolare via lo sporco immediatamente.
- Solidità del colore ai raggi UV: 7/8 (ISO 105-B02).

ISTRUZIONI DI MONTAGGIO

Picnic - p6

1. Posizionare il piano del tavolo diagonalmente sui cavalletti.
2. Fissare il sostegno e la piastrina di base (o la piastrina di ancoraggio a terra opzionale, con il foro rivolto verso l'interno. Fissarla al suolo con i dispositivi di fissaggio più appropriati al tipo di terreno sul quale si intende posizionare il tavolo Pantagruel.) alla gamba con 2 bulloni M8x25 ma senza avvitarli completamente. Ripetere il passaggio per tutte le gambe.
3. Posizionare la panca capovolta su un tavolo (utilizzare un cartone di imballaggio come protezione) e montarvi la gamba con 4 bulloni M8x16 e le rondelle elastiche ondulate M8. Dopo aver montato la panca sarà possibile avvitare completamente i bulloni della piastrina di base.
4. Fissare le gambe con la panca al piano del tavolo con 4 bulloni incassati M10x25. Dopo aver montato la prima gamba, montare la gamba opposta per mantenere il tavolo in equilibrio.
5. Girare la tavola e staccare quindi il piatto girevole svitando il dado sotto il piano del tavolo e togliendo la piastrina in acciaio inossidabile.
6. Togliere il piatto girevole.
7. Montare le ruote sui perni con 4 bulloni M6x16 e gli anelli di tenuta M6. Avvitando i bulloni tenere fermi i perni usando una chiave del 13. Attenzione: stringendo i bulloni, ma non serrare completamente per non impedire il movimento del Rotellina plastica.
8. Inserire nel tavolo il piatto girevole e il cappuccio. Fissaggio opzionale del piatto girevole: Se si desidera fissare il piatto girevole (per esempio contro il furto), è possibile rimontare la piastrina in acciaio inossidabile sotto il piano del tavolo utilizzando il controdado aggiuntivo in dotazione anziché il dado normale. Si tratta di una soluzione permanente. Fare attenzione a non avvitare troppo il controdado sulla piastrina in acciaio inossidabile per non impedire il movimento del piatto girevole.

Schienale - p10

1. Mettere le due staffe (per ogni schienale) tra la seconda e la terza assicella, con l'apertura orientata verso il basso sul lato inferiore del banco come mostrato in figura.
2. Tenere lo schienale in modo che i fori nelle parti piatte si trovino proprio sotto i fori nelle staffe. Per questa parte del montaggio ci vogliono due persone. Inserire i bulloni nei fori dello schienale e serrarli nelle staffe. Serrare i bulloni affinché non si allentino spontaneamente. Utilizzare a tale

scopo la chiave inglese.

Cuscini

1. Collocare il cuscino sulla panca e fissarlo sul bordo inferiore della stessa.

Pantagruel + Inumbra - p12

1. Rimuovere il Lazy Susan e il cappuccio.
2. Posizionare l'elemento di giunzione di Inumbra nell'apertura centrale del piano del tavolo, con l'elemento conico rivolto verso l'alto. Fissare quindi l'elemento al tavolo avvitando nello stesso i bulloni nella parte inferiore.
3. Infine riposizionare il piatto girevole al suo posto.
4. Posizionare Inumbra sul tubo di acciaio inossidabile e fissarlo, inserendo la leva in dotazione nel foro inferiore del tubo e ruotando. Aprire ora l'ombrellone, inserendo la leva nel foro superiore del tubo e ruotando. L'ombrellone dovrebbe essere sempre completamente aperto o completamente chiuso.

Pantagruel + Inumbra - p14

1. Rimuovere il Lazy Susan e il cappuccio.
2. Rimuovere la manopola dal raccordo.
3. Posizionare l'elemento di giunzione di Inumbra 38 nell'apertura centrale del piano del tavolo, con il cilindro rivolto verso il basso e la piastra quadrata verso l'alto. Fissare quindi l'elemento al tavolo avvitando nello stesso i bulloni nella parte inferiore.
4. Infine riposizionare il piatto girevole al suo posto e collocare Inumbra nel tavolo.
5. Quindi, fissare di nuovo la manopola al raccordo.
6. Bloccarlo, ruotando in senso orario la vite di regolazione. La vite è serrata a sufficienza quando Inumbra non si muove più attorno al proprio asse.
7. **a.** Per aprire l'ombrellone, tirare con forza il cordoncino finché la corona giunge al bullone.
b. Per richiudere l'ombrellone, tenere il cordoncino leggermente inclinato. CONSIGLIO: continuare a tenere il cordoncino inclinato fino alla chiusura completa dell'ombrellone. 'ombrellone dovrebbe essere sempre completamente aperto o completamente chiuso.
8. Ora inserire il cordoncino nel foro fornito nel tubo dell'ombrellone.

MANUTENZIONE

Legno

PULIZIA GIORNALIERA

Pulisci regolarmente e dopo ogni utilizzo

Il legno non richiede molta manutenzione, tuttavia

durerà più a lungo se viene trattato bene. La pulizia regolare del legno con un panno morbido subito dopo l'uso impedisce ai liquidi di penetrare a fondo nel legno. Un tavolo oliato assorbirà i liquidi meno rapidamente, restando pulito più a lungo. Per rimuovere le macchie di sporco tenaci, basta usare una spazzola rigida e un po' d'acqua. Fai attenzione a non danneggiare le fibre in modo permanente. Per questa ragione, non usare mai pulitori ad alta pressione per pulire il legno.

PULIRE

Una o due volte l'anno

A seconda delle condizioni atmosferiche, il legno deve essere levigato adeguatamente almeno una volta l'anno. Consigliamo di effettuare questa procedura prima della primavera e anche prima dell'inverno, se i mobili restano all'esterno tutto l'anno. È preferibile lavorare quando il tempo è umido e nuvoloso, in tal modo l'umidità nel legno asciuga lentamente dopo la pulizia. Per una pulizia accurata, consigliamo il nostro detergente per legno Extremis. È uno shampoo detergente per mobili in legno. Il prodotto rimuove la decolorazione grigia, i depositi verdastri e lo sporco. Qualora dovessero comparire delle crepe, queste si possono carteggiare a mano con carta abrasiva grana 80.

OLIARE

Una volta l'anno

Puoi decidere di proteggere il legno dai raggi UV, dal maltempo e dalle macchie. Non c'è bisogno di dire che consigliamo vivamente di effettuare questa procedura una volta l'anno. L'olio per legno Extremis è un olio naturale al 100% a base di semi di lino. È incolore, ma il legno diventerà scuro dopo trattamento. O. Rimuovi tutti i residui delle precedenti applicazioni.

CARTEGGIATURA A MACCHINA

Solo ogni 2-4 anni

Dopo alcuni anni, il legno presenterà alcune crepe e forse anche una leggera deformazione. Questo è del tutto normale, perché il legno è un materiale naturale, vivo. Con il legno massello è possibile carteggiare lo strato superiore per rendere nuovamente liscia e piana la superficie. Lo puoi fare ogni 2-4 anni utilizzando una carteggiatrice manuale. Effettua la procedura in condizioni di tempo asciutto. Utilizza carta abrasiva grana 80.

Acciaio zincato

PULIZIA GIORNALIERA

Regolarmente e dopo ogni utilizzo

Pulisci con acqua tiepida, un detergente blando o il multidetergente Extremis.

RIPARARE COMPONENTI DANNEGIATI CON UNO SPRAY ALLO ZINCO

Quando è danneggiato

La zincatura per immersione a caldo è il metodo più efficace per proteggere i metalli contro la ruggine. Se il rivestimento di zinco è danneggiato, il metallo esposto può arrugginire. Si possono effettuare ritocchi con una vernice allo zinco dello stesso colore, facilmente reperibile in commercio. Lo spray allo zinco forma un rivestimento autoriparante che secca rapidamente e che impedisce la corrosione.

Verniciatura a polvere

PULIRE

Regolarmente

Usa il multidetergente Extremis, un detergente biodegradabile al 100% o i comuni prodotti di pulizia. Evita di utilizzare prodotti aggressivi. Queste superfici si puliscono meglio con un prodotto di pulizia neutro diluito in acqua.

RIMUOVERE LA MACCHIE

Solo se non ci sono altre soluzioni

La spugnetta magica elimina le macchie tenaci senza sforzo. Solo se restano macchie tenaci dopo trattamento secondo le istruzioni, in tal caso puoi usare la spugnetta magica Extremis. Questa spugnetta è composta di una resina melamminica che si consuma con l'uso. La spugnetta, molto facile da utilizzare, agisce fino a 26 volte più velocemente rispetto a un comune panno in microfibra. La spugnetta magica è la soluzione ideale per eliminare le macchie tenaci come quelle di pennarelli, grasso, segni di strisciate, tracce di calcare o macchie di caffè e tè. La spugnetta magica si può utilizzare su tela cerata, profilati di plastica, vetro, acciaio, cromo, alluminio, porcellana, pelle sintetica e molti altri rivestimenti.

RIPARARE UN RIVESTIMENTO

Quando è danneggiato

Gli oggetti taglienti possono danneggiare il rivestimento. Graffi o ammaccature si possono ritoccare con i nostri bastoncini di vernice. In ogni caso, i graffi vengono coperti ma non eliminati.

HPL

LIQUIDI ROVESCIATI

Subito dopo l'uso

I liquidi rovesciati vanno rimossi immediatamente con un panno morbido pulito, soprattutto in caso di liquidi di colore scuro come vino, inchiostro, caffè, coca-cola, olio o escrementi di uccelli. Se si lascia seccare, possono causare danni permanenti!

PULIRE

Pulisci regolarmente e dopo ogni utilizzo

Usa il multidetergente Extremis, un detergente biodegradabile al 100% o i comuni prodotti di pulizia. Evita di utilizzare prodotti aggressivi. Queste superfici si puliscono meglio con un prodotto di pulizia neutro diluito in acqua.

RIMUOVERE MACCHIE TENACI

Solo se non ci sono altre soluzioni

La spugnetta magica elimina le macchie tenaci senza sforzo, oppure queste si possono rimuovere con acetone. Se restano macchie tenaci dopo trattamento secondo le istruzioni, in tal caso puoi usare la spugnetta magica Extremis. Questa spugnetta è composta di una resina melamminica che si consuma con l'uso. La spugnetta, molto facile da utilizzare, agisce fino a 26 volte più velocemente rispetto a un comune panno in microfibra. La spugnetta magica è la soluzione ideale per eliminare le macchie tenaci come quelle di pennarelli, grasso, segni di strisciate, tracce di calcare o macchie di caffè e tè. La spugnetta magica si può utilizzare su tela cerata, profilati di plastica, vetro, acciaio, cromo, alluminio, porcellana, pelle sintetica e molti altri rivestimenti.

Sunbrella

LIQUIDI ROVESCIA TI

Subito dopo l'uso

È preferibile rimuovere subito i liquidi rovesciati utilizzando un foglio di carta assorbente da cucina. Il rivestimento idrorepellente di Sunbrella impedisce alle gocce di liquido di penetrare nel tessuto.

REGULAR CLEANING

Quando è sporco

Prepara una soluzione di pulizia per rimuovere le macchie dal tessuto Sunbrella.

LAVAGGIO IN LAVATRICE

Raramente

È anche possibile mettere coperte e cuscini in lavatrice (30°). Non lavare a secco e non asciugare a macchina. Il tessuto si può sgualcire. La stiratura permette di ripristinare il rivestimento idrorepellente del tessuto, ma solo nella modalità capi delicati. Poiché alcuni ferri da stiro superano la temperatura consigliata per i capi sintetici, fai prima una prova su una piccola area non appariscente prima di stirare l'intero tessuto. **NON** utilizzare un ferro da stiro a vapore.

MACCHIE TENACI

Solo se non ci sono altre soluzioni

Sono necessarie misure più drastiche? Se non ci

sono altre soluzioni, si può usare la candeggina. Quando usi una soluzione di candeggina, proteggi l'area intorno al tessuto Sunbrella – la candeggina può scolorire i tessuti che non sono di tipo Sunbrella. Fai attenzione all'ambiente quando utilizzi la candeggina. La candeggina può avere effetti nocivi sull'ambiente naturale. Non consigliamo di utilizzare la candeggina se vivi vicino a una distesa d'acqua o a un ambiente che potrebbe risentirne. Se le macchie e/o la muffa sono difficili, devi usare più candeggina.

Guarda i video di manutenzione sul nostro sito web:

www.extremis.com/maintenance



ADVERTENCIAS

General

- No utilice ningún objeto cortante para abrir el embalaje.
- Recomendamos encarecidamente no usar herramientas eléctricas.
- Peligro de tropiezo, preste atención al caminar.
- No apague cigarrillos sobre la mesa.
- No es resistente a pintadas.
- No deje a los niños sin supervisión mientras juegan sobre la mesa.
- Para evitar el peligro de asfixia, mantenga las bolsas de plástico fuera del alcance de bebés y niños.
- Los colores pueden variar con el paso de los años, así como de un lote a otro.

Producto

- No se suba ni salte sobre la mesa.
- No arrastre la mesa. Transpórtela, como mínimo, con la ayuda de otra persona.
- El anclaje del producto debe ser realizado por personal cualificado.
- Para el anclaje: utilice pernos o tornillos adecuados, procedentes de una tienda especializada, dependiendo del material con el que esté construida su terraza.
- No se suba sobre la mesa giratoria ni sobre los bancos.
- La mesa giratoria blanca refleja con la luz del sol.
- Tenga precaución con los dedos durante el montaje de la mesa giratoria.
- Máx. 3 personas o 240 kg por banco.

Madera

- Cuando se entrega, la madera no está tratada.
- La madera es un material natural y su aspecto es diferente en cada listón, tabla y árbol.
- La madera se irá volviendo paulatinamente más áspera y gris como consecuencia de la exposición al sol y a la lluvia. Se recomienda aplicar aceite a la madera una o dos veces al año. Una vez antes del verano y otra después del verano, como protección para el invierno.
- Límpiela con regularidad con detergente suave. Nunca utilice hidrolavadoras, ya que esto dará aspereza a la superficie lisa de la madera y ocasionará daños irreparables en sus fibras.
- Para una limpieza a fondo, utilice el limpiador de madera Extremis.
- Para proteger a la madera de las manchas, se recomienda encarecidamente tratar la madera

con aceite para madera (también pueden aparecer pequeñas grietas y hendiduras como parte de este procedimiento). Recomendamos encarecidamente que los muebles se traten con nuestro protector de madera. Es conveniente repetir este tratamiento una vez al año.

Acero galvanizado

- El galvanizado perderá brillo cuando se utilice al aire libre.
- Retardante de llama - UNE-EN13501-1 A1 - Los productos de Clase A1 no contribuirán a la propagación del fuego en ninguna de sus fases, incluido el incendio completamente desarrollado. Por este motivo, se supone que también son capaces de cumplir todos los requisitos de todas las clases inferiores.
- Las posibles impurezas en el depósito de inmersión pueden ocasionar marcas negras durante el galvanizado, que son intrínsecas a esta técnica de transformación industrial.
- Las marcas blancas sobre esta capa de zinc también son intrínsecas a este proceso y desaparecerán cuando el mobiliario se coloque al aire libre.
- Esta técnica de transformación industrial puede ocasionar asperezas en la superficie. Esto es intrínseco al proceso.

Recubrimiento en polvo

- El recubrimiento en polvo de color blanco requiere mayor mantenimiento.
- No use polvos abrasivos o estropajos, ya que rayarían la superficie.
- Al estar expuesto a la luz UV, el color puede desteñir hasta cierto punto.
- Retardante de llama - NEN-EN13501-1 A2-s1 - Cumple los mismos criterios que Clase B para el ensayo SBI según EN13823. Además, en condiciones de incendio completamente desarrollado, estos productos no contribuirán de manera significativa a la carga y al crecimiento del fuego.
- Los colores oscuros pueden alcanzar temperaturas muy elevadas con tiempo soleado.

HPL

- Solidez del color a la luz UV: >6 (EN438-2:27) y (ASTM G53-91).

Sunbrella

- ¡No es impermeable, guárdela en casa!
- Sacudir o cepillar para eliminar la suciedad de inmediato.
- Solidez del color a la luz UV: 7/8 (ISO 105-B02).

INSTRUCCIONES DE MONTAJE

Picnic - p6

1. Ponga el tablero diagonalmente sobre caballetes.
2. Fije el soporte y la placa de pie (o la placa de anclaje al suelo opcional, con el agujero orientado hacia adentro y fijela al suelo con los medios de fijación más adecuados para el tipo de suelo en el que se encuentre la mesa Pantagrue.) al pie con 2 tornillos M8x25, pero todavía no los apriete firmemente. Repita estas operaciones para todas las patas.
3. Ponga el banco al revés en una mesa (utilice el embalaje como protección) y monte la pata en él con 4 tornillos M8x16 y las arandelas de resorte onduladas M8. Después de montar el banco, puede apretar firmemente los tornillos de la placa de pie.
4. Fije la pata con banco en el tablero con 4 tornillos avellanados M10x25. Después de haber montado la primera pata, monte la pata de enfrente para mantener el equilibrio.
5. Gire a la mesa y luego desate la bandeja giratoria desenroscando la tuerca situada abajo del tablero y retirando la placa de acero inoxidable.
6. Retire la bandeja giratoria.
7. Monte las ruedas en los ejes con 4 tornillos M6x16 y arandelas planas M6. Cuando aprieta los tornillos, utilice una llave 13 para sujetar el eje. **Atención:** apretar los tornillos, pero no apriete completamente que las ruedas plástico puede girar libremente.
8. Ponga la bandeja giratoria y el disco de la cubierta en el tablero. Anclaje de la bandeja giratoria opcional: Si desea anclar la bandeja giratoria (por ejemplo contra el robo), puede montar de nuevo la placa de acero inoxidable por debajo del tablero utilizando el tornillo avellanado entregado adicionalmente en vez del tornillo normal, lo que es una solución durable. Ponga atención de no apretar demasiado firmemente la placa de acero inoxidable con el tornillo avellanado de modo que la bandeja giratoria pueda girar libremente.

Respaldo - p10

1. Insertar dos clips (por cada respaldo) con la punta abierta orientada hacia el suelo, entre el segundo y tercer tablón en la parte inferior del banco como se muestra en la figura.
2. Sostenga el respaldo de modo que los agujeros en las partes planas estén exactamente situados debajo de los agujeros de los clips. Son necesarias dos personas para realizar esta operación. Ponga los cerrojos por el agujero del respaldo y luego apriete los clips. Por último,

apriete firmemente los cerrojos con una llave fija, impidiendo así que se aflojen espontáneamente.

Cojines

1. Coloque el cojín en el banco y sujételo en la parte inferior del banco.

Pantagrue + Inumbra - p12

1. Quitar el Lasy Susan y el disco de la cubierta.
2. Coloque la pieza de fijación Inumbra en la abertura central del tablero. Oriente la pieza cónica hacia arriba. Luego entornille esta pieza en la mesa, pasando los tornillos por debajo de la mesa.
3. Meta después de nuevo la bandeja giratoria en su sitio en la mesa.
4. Coloque el Inumbra en el tubo de acero inoxidable y fíjelo insertando la palanca en el agujero inferior del tubo y apretándola. Ahora abra el quitasol, insertando la palanca en el agujero superior del tubo y girándola. La sombrilla siempre debe estar completamente abierto o completamente cerrado.

Pantagrue + Inumbra - p14

1. Quitar el Lasy Susan y el disco de la cubierta.
2. Retire el botón giratorio de la pieza de acoplamiento.
3. Coloque la pieza de fijación Inumbra 38 en la abertura central del tablero. Oriente el cilindro hacia abajo y la plaqueta cuadrada hacia arriba. Luego entornille esta pieza en la mesa pasando los tornillos por debajo de la mesa.
4. Meta después de nuevo la bandeja giratoria en su sitio en la mesa y coloque el Inumbra en la mesa.
5. Vuelva a colocar el botón giratorio en la pieza de acoplamiento.
6. Bloqueélo apretando el tornillo de ajuste en el sentido de las agujas del reloj. El tornillo de ajuste está bien apretado cuando el Inumbra ya no puede mover alrededor de su eje.
7.
 - a. Para abrir el quitasol, tire con firmeza el cordel, hasta que la corona haga contacto con el tornillo pequeño.
 - b. Para cerrar el quitasol, ladéa el cordel un poquito. **CONSEJO:** continúe ladear el cordel hasta que el quitasol esté completamente cerrado. La sombrilla siempre debe estar completamente abierto o completamente cerrado.
8. Ahora inserte el cordón en el orificio provisto en el tubo del parasol.

MANTENIMIENTO

Madera

LIMPIEZA DIARIA

Limpia regularmente y después de cada uso

La madera no necesita mucho mantenimiento, pero cuanto mejor la trates, más durará. Limpiar la madera regularmente e inmediatamente después del uso con un paño húmedo evitará que los fluidos penetren profundamente en la madera. Una mesa tratada con aceite absorberá los líquidos menos rápidamente, manteniéndola limpia durante más tiempo. Para eliminar los restos rebeldes de suciedad, simplemente usa un cepillo duro y un poco de agua. Ten cuidado de no dañar permanentemente las fibras. Por esta razón, nunca uses una hidrolavadora para limpiar la madera.

LIMPIEZA

Una o dos veces al año

Dependiendo de las condiciones climáticas, la madera necesita un pulido descendente al menos una vez al año. Recomendamos hacer esto antes de la primavera y antes del invierno, si tus muebles están en el exterior durante todo el año. Elige uno de esos días húmedos y nublados, ya que es mejor que el nivel de humedad de la madera se seque lentamente después de la limpieza. Para una limpieza completa, podemos recomendar nuestro Extremis Wood Cleaner. Este es un champú limpiador biodegradable para muebles de madera. El producto elimina la decoloración gris, los depósitos verdes y la suciedad. Si aparecen grietas, simplemente puedes lijarlas a mano con papel de lija de grano 80.

APLICAR ACEITE

Una o dos veces al año

Eres libre de proteger tu madera de los rayos UV, las inclemencias del tiempo y las manchas. No hace falta decir que recomendamos encarecidamente hacer esto una vez al año. El Extremis Wood Protector es un producto 100% natural a base de aceite de linaza. Es incoloro, pero la madera quedará más oscura después de este tratamiento. O. Elimina todos los residuos de aplicaciones antiguas.

MÁQUINA PARA EL LIJADO

Solo cada 2 a 4 años

Después de algunos años, en tu madera habrá pequeñas grietas y tal vez algo de deformación. Esto es completamente normal, porque la madera es un material natural y vivo. La madera maciza tiene la gran ventaja de que puedes lijar la capa superior para hacer que la superficie vuelva a estar lisa y plana. Puedes hacer esto cada dos o cuatro años con una lijadora manual. Hazlo en un día seco. Usa

papel de lija de grano 80.

SUSTITUIR UNA PIEZA

¡Eh! No necesitas ser un ingeniero para entender nuestros productos. Y ni siquiera necesitas ser un genio del bricolaje para sustituir una pieza. Asegúrate de que no podrás reparar el daño simplemente lijando la tabla.

Acero galvanizado

LIMPIEZA DIARIA

Regularmente y después de cada uso

Limpia con agua tibia y un detergente suave o con el limpiador multiusos de Extremis.

REPARACIÓN DE PIEZAS DAÑADAS CON SPRAY ZINC

Cuando está dañado

La galvanización por inmersión en caliente es la forma más duradera de proteger el metal contra la oxidación. Si el recubrimiento de zinc está dañado, el metal expuesto se puede oxidar. Esto se puede retocar fácilmente con pintura de zinc, que automáticamente adquiere el mismo color y está disponible en las tiendas. El spray de zinc forma un recubrimiento de secado rápido, autosecable y flexible que ayuda a detener la corrosión.

Recubrimiento en polvo

LIMPIEZA

Regularmente

Utiliza el Extremis detergente multifuncional, un detergente 100% biodegradable o productos de limpieza comunes para la cocina. Evita el uso de productos agresivos. Estas superficies se limpian mejor con un producto de limpieza neutro diluido en agua.

ELIMINACIÓN DE MANCHAS

Solo si nada más ayuda

La Goma Mágica, o borrador mágico, elimina las manchas más difíciles sin esfuerzo. Solo si las manchas persistentes permanecen visibles después del tratamiento según las instrucciones, puedes usar la esponja Extremis Magic Eraser. Esta esponja está hecha de resina de melamina y se desgasta con el uso. La esponja es muy fácil de usar y ofrece resultados hasta 26 veces más rápidos que un paño de microfibra tradicional. La esponja mágica es la solución ideal para deshacerse de manchas difíciles como manchas de rotuladores, grasa, rozaduras, marcas de cal o manchas de café y té. La esponja mágica se puede usar sobre tejidos encerados, perfiles de plástico, vidrio, acero, cromo, aluminio, porcelana, cuero artificial y muchos tipos de suelos.

REPARACIÓN DEL RECUBRIMIENTO

Cuando está dañado

El impacto de objetos afilados puede dañar el recubrimiento. Los rasguños o abolladuras se pueden retocar con nuestros lápices de pintura. Sin embargo, esto solo camufla los arañazos, no los elimina.

HPL

LÍQUIDOS DERRAMADOS

Inmediatamente después del uso

Los líquidos derramados deben eliminarse inmediatamente con un paño limpio y suave, particularmente en el caso de líquidos de color oscuro como vino, tinta, café, coque, aceite y excrementos de pájaros. Si se dejan secar, ¡estos líquidos pueden causar daños permanentes!

LIMPIEZA

Regularmente y después de cada uso

Utiliza el Extremis Multicleaner, un detergente 100% biodegradable o productos de limpieza comunes para la cocina. Evita el uso de productos agresivos. Estas superficies se limpian mejor con un producto de limpieza neutro diluido en agua.

MANCHAS DIFÍCILES

Solo si nada más ayuda

La esponja mágica elimina las manchas más difíciles sin esfuerzo o puedes eliminarlas con acetona. Si las manchas persistentes permanecen visibles después del tratamiento de acuerdo con las instrucciones, puedes usar la esponja Extremis Magic Eraser. Esta esponja está hecha de resina de melamina y se desgasta con el uso. La esponja es muy fácil de usar y ofrece resultados hasta 26 veces más rápidos que un paño de microfibra tradicional. La esponja mágica es la solución ideal para deshacerse de manchas difíciles como manchas de rotuladores, grasa, rozaduras, marcas de cal o manchas de café y té. La esponja mágica se puede usar sobre tejidos encerados, perfiles de plástico, vidrio, acero, cromo, aluminio, porcelana, cuero artificial y muchos tipos de suelos.

Sunbrella

LÍQUIDOS DERRAMADOS

Inmediatamente después del uso

Se recomienda tratar los líquidos derramados inmediatamente, colocando una hoja de papel de cocina absorbente sobre ellos. El recubrimiento resistente al agua en Sunbrella evita que las gotitas penetren en la tela.

REGULAR CLEANING

Cuando está sucio

Haz una solución para eliminar las manchas en tu Sunbrella.

LAVADO A MÁQUINA

Raramente

También es posible lavar las mantas y las fundas de cojín en una lavadora (30°). No lavar en seco ni secar en secadora. La tela puede quedar arrugada. El planchado ayudará a recuperar el recubrimiento repelente al agua del tejido, pero solo en una posición fría (delicados). Como algunas planchas superan la temperatura recomendada en la posición para tejidos sintéticos, prueba en una zona pequeña y poco llamativa antes de planchar toda la tela. NO uses un vaporizador o plancha en la posición de vapor.

SITUACIONES DE MANCHAS DIFÍCILES

Solo si nada más ayuda

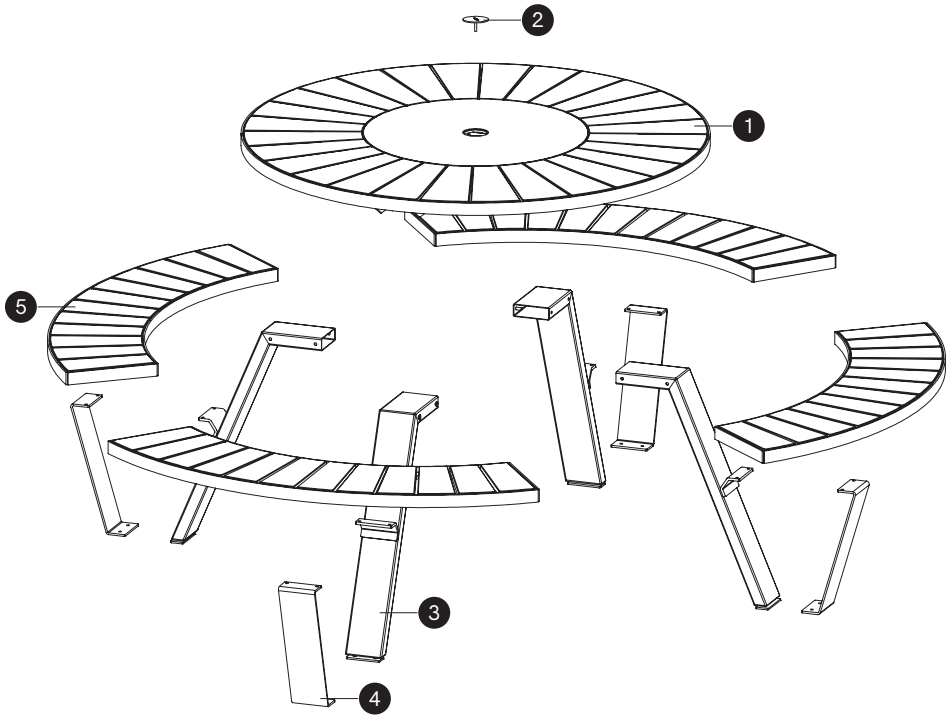
¿Se necesitan medidas más drásticas? Se puede usar lejía si nada más ayuda. Protege la zona alrededor del tejido Sunbrella cuando uses una solución de lejía: el blanqueador puede decolorar las telas que no sean de Sunbrella. Ten en cuenta el medio ambiente cuando limpies con lejía. El blanqueador puede tener efectos nocivos en el entorno natural que lo rodea. No recomendamos el uso de lejía si se está rodeado de un cuerpo de agua u otro entorno que pudiera verse afectado. Si las manchas y/o marcas de moho son importantes, la cantidad de lejía puede aumentar.

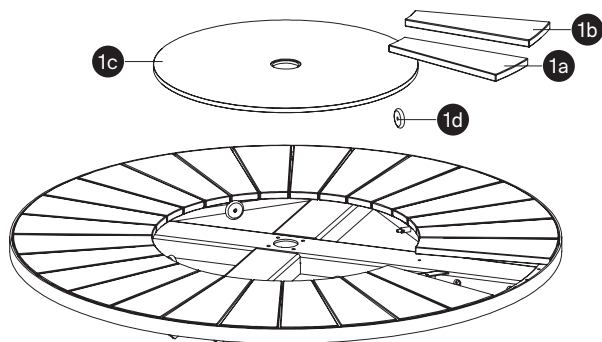
Vea los videos de mantenimiento en nuestro sitio web:
www.extremis.com/maintenance



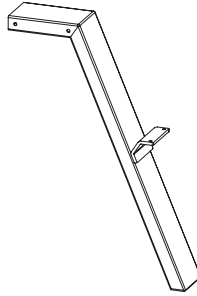
Parts list

Pantagruel picnic





No.	Description
PAN238	Tabletop Iroko with white Lazy Susan - Galvanised
PAN207	Tabletop Iroko with black Lazy Susan - Black
PAN209	Tabletop Iroko with black Lazy Susan - Earth
PAN204	Tabletop Iroko with white Lazy Susan - White
PAN236	Tabletop Hellwood with white Lazy Susan - Galvanised
PAN206	Tabletop Hellwood with black Lazy Susan - Black
PAN208	Tabletop Hellwood with black Lazy Susan - Earth
PAN165	Tabletop Hellwood with white Lazy Susan - White
PAN439	Wood segment - Iroko
PAN441	Wood segment - Hellwood
PAN424	Wood segment above leg - Iroko
PAN440	Wood segment above leg - Hellwood
PAN158	Lazy Susan - White
PAN202	Lazy Susan - Black
PAN168	Set of 4 wheels for Lazy Susan
PAN153	Cover disc



3

No.

Description

PAN233	Picnic leg - Galvanised
PAN404	Picnic leg - Black
PAN405	Picnic leg - Earth
PAN406	Picnic leg - White

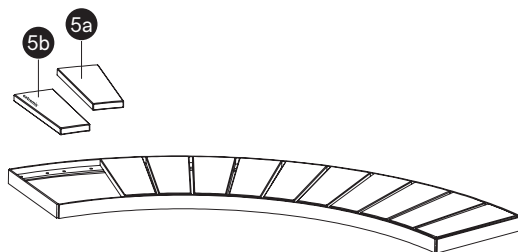


4

No.

Description

PAN227	Bench support - Galvanised
PAN407	Bench support - Black
PAN408	Bench support - Earth
PAN409	Bench support - White

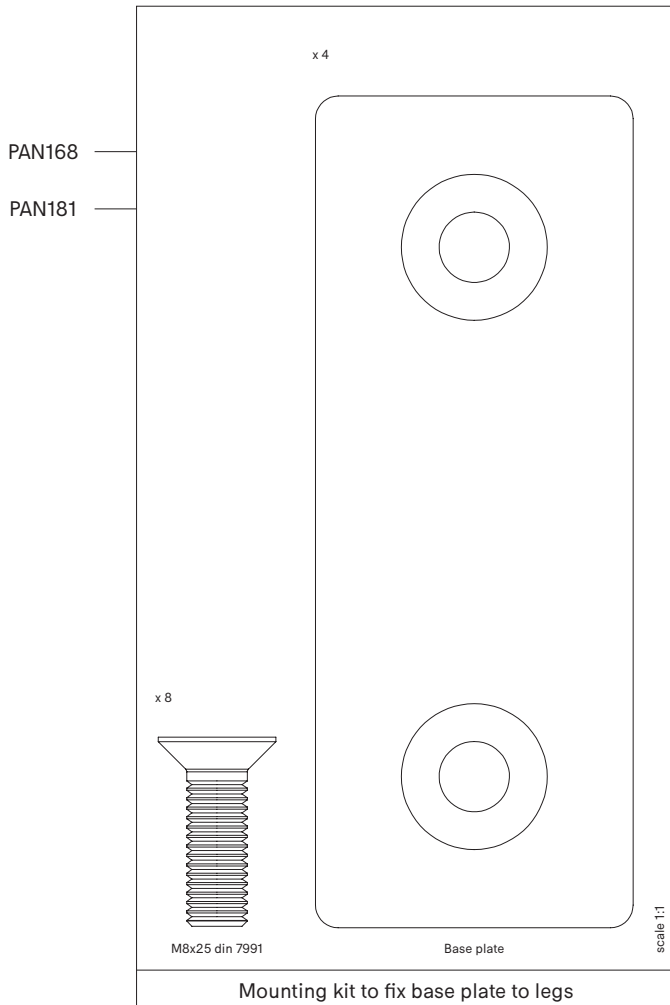


No.	Description	
PAN410	Bench Iroko - Galvanised	
PAN411	Bench Iroko - Black	
PAN412	Bench Iroko - Earth	
PAN413	Bench Iroko - White	
5	PAN414	Bench Hellwood - Galvanised
PAN415	Bench Hellwood - Black	
PAN416	Bench Hellwood - Earth	
PAN417	Bench Hellwood - White	
5a	PAN442	Wood segment - Iroko
PAN444	Wood segment - Hellwood	
5b	PAN443	Wood segment with logo - Iroko
PAN445	Wood segment with logo - Hellwood	

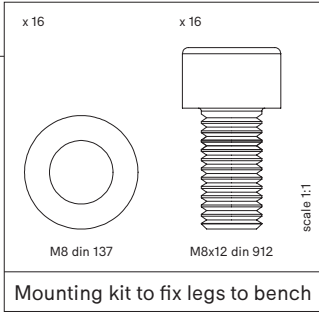
Floor fastening (optional)



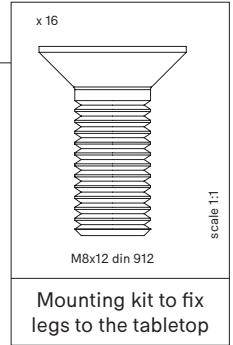
No.	Description	
6	PAN019	Floor fastening set



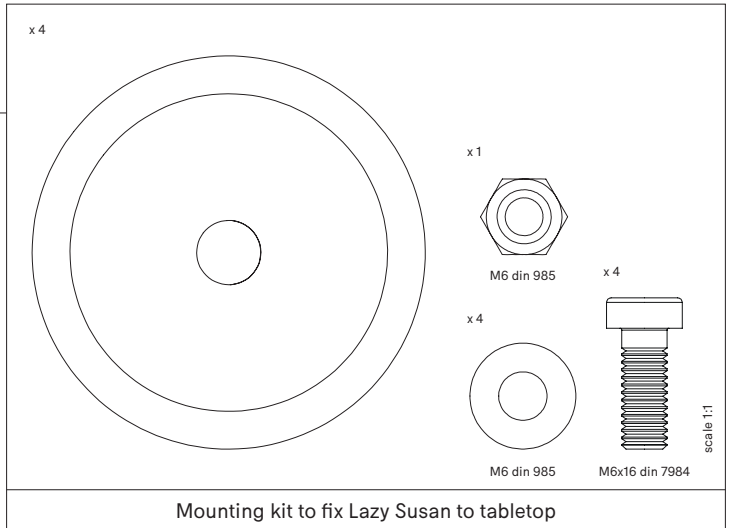
PAN170



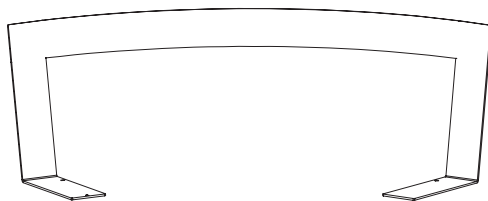
PAN171



PAN168



Backrest (optional)



No.

Description

PAN259

Backrest - Galvanised

PAN260

Backrest - Black

PAN261

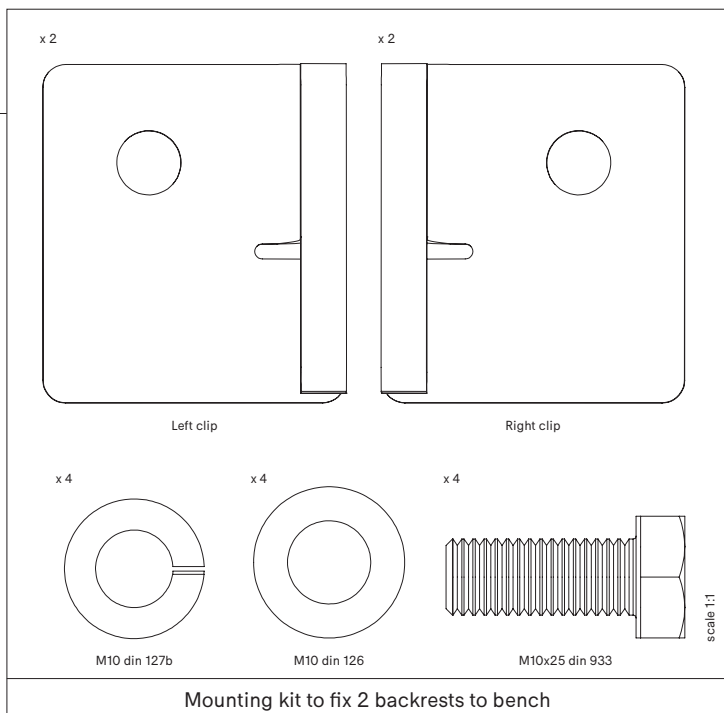
Backrest - Earth

PAN262

Backrest - White

7

PAN183

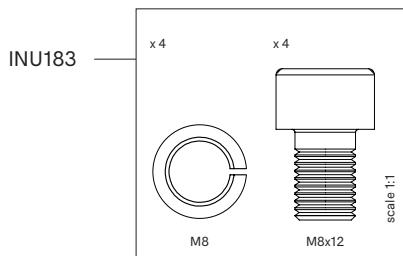
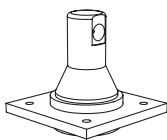


Cushions (optional)



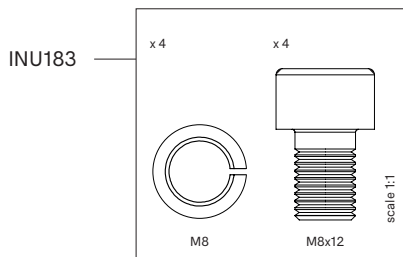
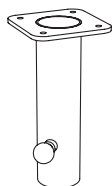
No.	Description
PAN016	Cushion - Dark taupe
PAN017	Cushion - White

Inumbra connection piece (optional)



No.	Description
8	INU007
	Inumbra connection piece

Inumbra connection piece (optional)



No.	Description
9	INI010
	Inumbra connection piece



Our headquarters:
Couthoflaan 20b
B-8972, Poperinge
info@extremis.com
+ 32 57 346020

www.extremis.com

Download our augmented reality app from the App Store
and configure our tools in your garden!



Connect with us:



All rights reserved. Unless otherwise specified, all designs and photographs contained in this publication are copyright protected and are the property of Extremis. No part of this publication may be copied or distributed without Extremis' prior written consent. The names of the authors of photographs to which we do not hold rights are mentioned here. We have done our utmost to provide a comprehensive list of names. In the event of an alleged breach, please contact the editorial staff. © Extremis

20190712