

FLOS

Minikelvin LED, Chrome - Specification Sheet by Antonio Citterio w Toan Nguyen, 2011

Mounting	Table Top
Lamp (Bulb) Description	36 TOP LED 3000K 97lm CRI 80 - 4W
Environment	Indoor - Dry Location
Finish	Chrome
Technical and Product Description	MINIKELVIN LED Table lamp providing direct light. Minikelvin LED lamp head in presso-fused aluminum, diffuser in photo-engraved methacrylate with aluminate surround. Power pack on plug, base in pressofused zamak. Directionable head. ON/OFF switch with Soft Touch technology and light flow adjustment to 2 intensities (100% - 50% - 0%). Power pack on plug with interchangeable plugs.

Electrical

Voltage	120
Switching	ON/OFF switch with Soft Touch technology and light flow adjustment to 2 intensities (100% - 50% - 0%)
IP Rating	IP20

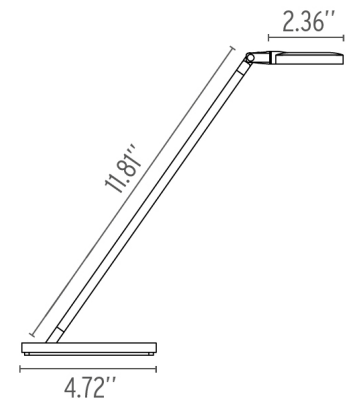
Physical

Construction Material	Aluminum
Weight	1.76 lbs



F4180057 Chrome

Dimensional Image



Certifications

