

## Kelvin Edge Desk Support Hidden Cable, Chrome - Specification Sheet by Antonio Citterio, 2015

Mounting	Desk Support with Hidden Cable
Lamp (Bulb) Description	EDGE LIGHTING 2700/3200K 306lm CRI90 7W
Environment	Indoor - Dry Location
Finish	Chrome
Technical and Product Description	The newest addition to the popular Kelvin LED family, the Kelvin Edge offers the innovation and sleek design of the collection in a smaller package – without sacrificing output. Featuring the exclusive Edge Lighting Technology™ from which it takes its name, this table lamp combines efficiency with light intensity and emission magnitude to create the balanced, brilliant glow you'd expect from a much larger light.

The Kelvin Edge features an aluminum painted or chromed body with die-cast head, joints, and forks, and extruded arms. Its diffuser's perimeter is photoengraved polycarbonate (PC) and aluminate. It offers direct light via innovative Edge Lighting Technology™ and the optical switch sensor on the lamp's head provides a three-step dimming function and color temperature adjustment at 2700K or 3200K. The power cord measures 150 cm, and the plug-in power supply includes interchangeable plugs.

### Inspiration behind the design:

Blending an industrial style with the latest technology, the Kelvin Edge proves that "petite" can be unexpectedly powerful. "Products are ever more surprising from a technical standpoint as their size gets smaller and smaller," says designer Antonio Citterio. "Through highly sophisticated work of miniaturization on the details, [this design] is increasingly aligned with the evolution of aesthetic perception in our time."

### Electrical

Voltage	100-240V
Switching	Optical switch sensor placed on the head
IP Rating	IP20

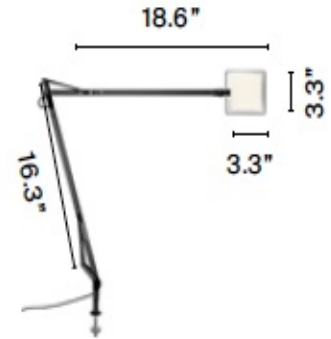
### Physical

Cord Length (inches)	59.05"
Construction Material	Aluminium painted or chromed body, with die cast head, joints and forks, and extruded arms
Weight	1.32



F3456057 Chrome

### Dimensional Image



### Certifications

