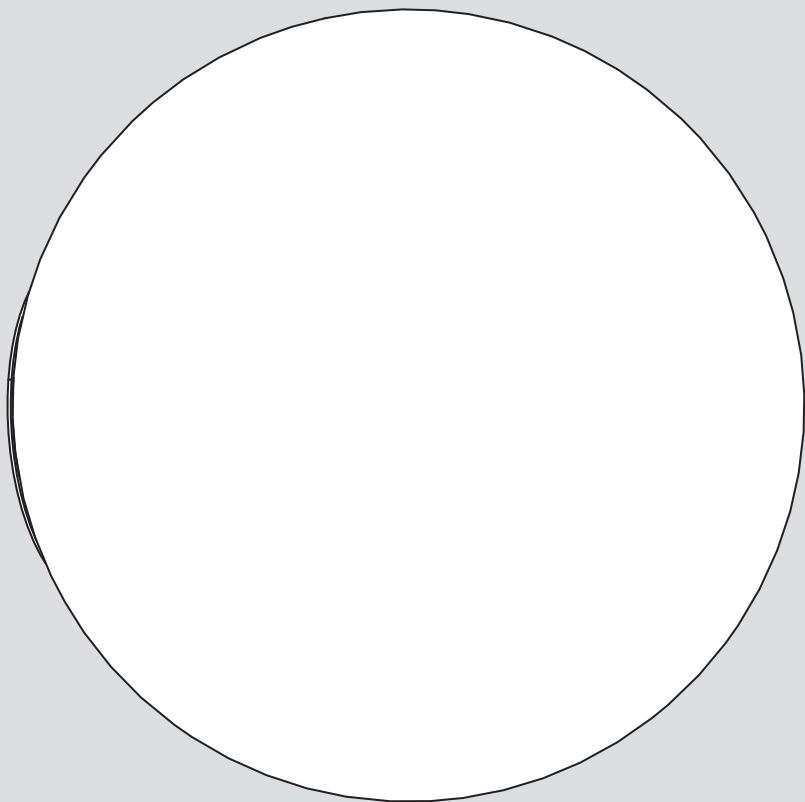


# Artemide®

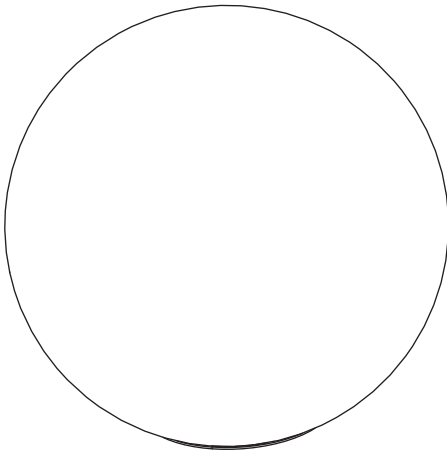
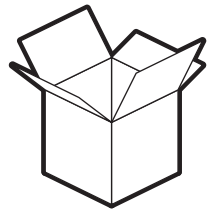
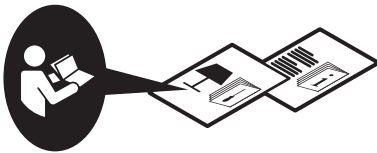
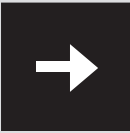
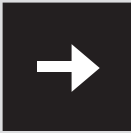
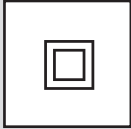
## Dioscuri

design  
M. De Lucchi

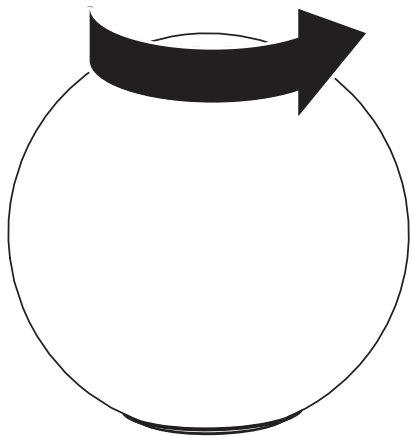




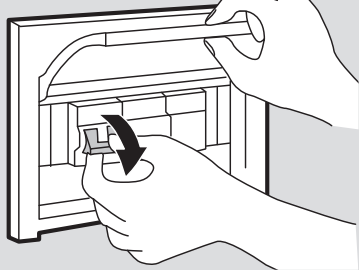
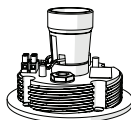
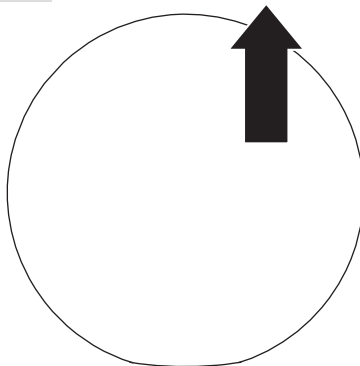
i



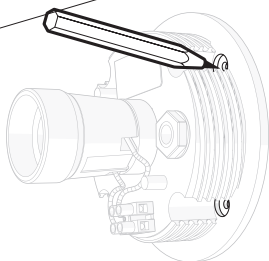
1



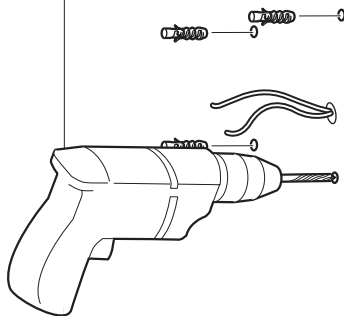
2

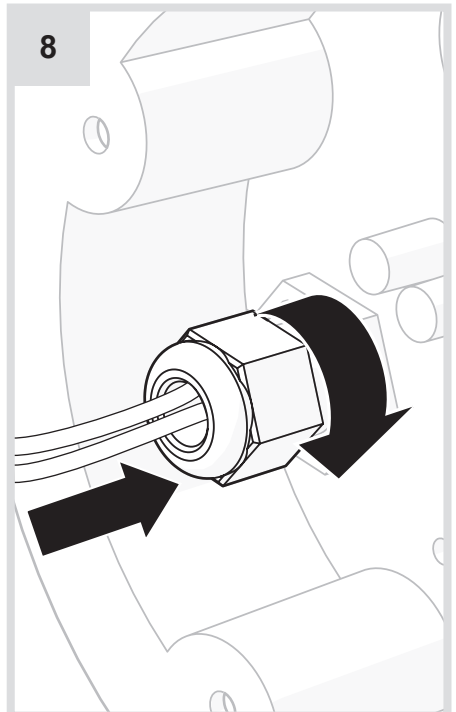
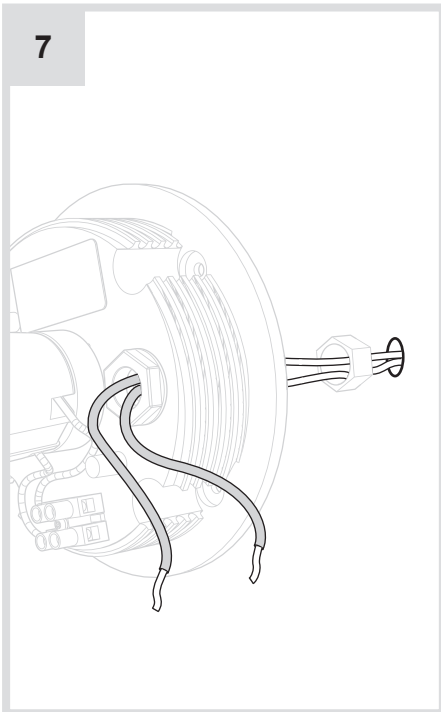
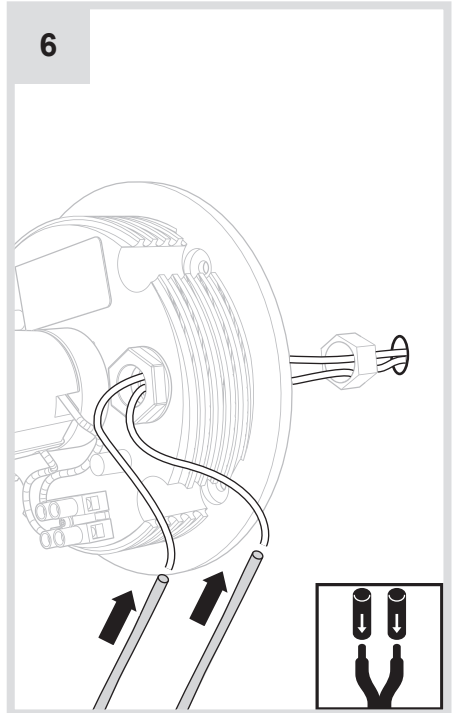
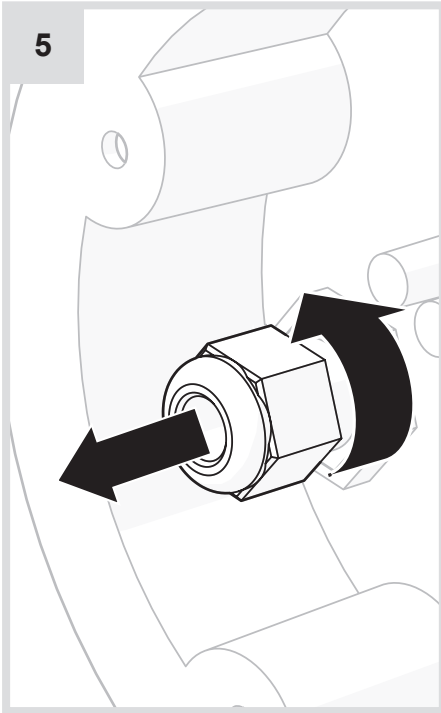


3

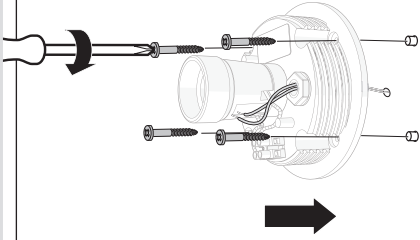


4

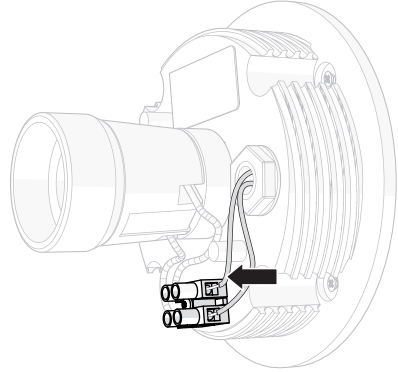




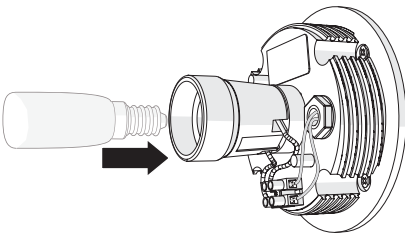
9



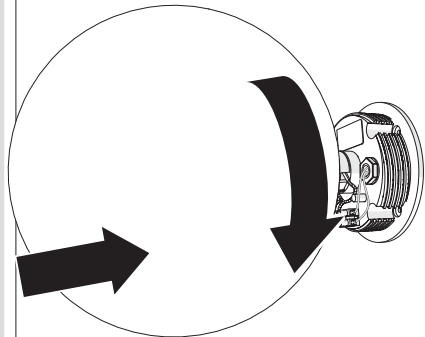
10



11



12





i



1

2

11

12



**MAX 77W - E27**

Halo: HSGSA - 1300 lm  
LED: DRAA - 1100 lm



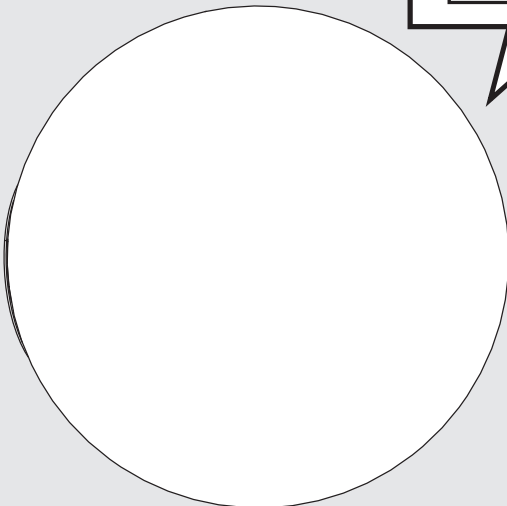
**MAX 150W - E27**

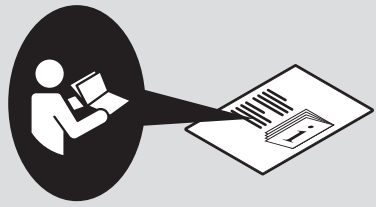
Halo: HSGST - 2900 lm  
LED: DRAA - 2500 lm



**MAX 150W - E27**

Halo: HSGST - 2900 lm  
LED: DRAA - 2500 lm





**Artemide®**



**Artemide**

via Bergamo, 18  
20010 Pregnana M.se (MI)  
ITALIA

tel. +39 02 935 181  
fax +39 02 935 90 254  
fax +39 02 935 90 496

[www.artemide.com](http://www.artemide.com)

VAT IT00846890150

cod. Y513000550