

# WALRUS

© *design by dirk wynants*

---

## **READ INSIDE**

ASSEMBLY INSTRUCTIONS,  
HOW TO USE, USEFUL TIPS  
FOR KEEPING YOUR TOOL FOR  
TOGETHERNESS IN SHAPE

## **LANGUAGES**

EN – NL – DE – FR – IT – ES

## **MORE**

[WWW.EXTREMIS.BE](http://WWW.EXTREMIS.BE)

## **PRODUCT**

**110** – CORNER SEAT (LEFT/RIGHT) – MIDDLE SEAT – FOOTSTOOL  
– CONNECTING SEATS – MAINTENANCE

## LANGUAGES

### ENGLISH P. 3

contents .....	p. 3
assembly corner seat .....	p. 6
assembly middle seat .....	p. 8
assembly footstool .....	p. 10
assembly connection piece .....	p. 11
maintenance .....	p. 12

### NEDERLANDS P. 15

inhoud .....	p. 15
montage hoekzit .....	p. 18
montage tussenzit .....	p. 20
montage poef .....	p. 22
montage koppelstuk .....	p. 23
onderhoud .....	p. 24

### DEUTSCH P. 27

inhalt .....	p. 27
montage eck-modul .....	p. 30
montage mittel-modul .....	p. 32
montage puf .....	p. 34
montage verbindungsstück .....	p. 35
pflege .....	p. 36

### FRANÇAIS P. 39

contenu .....	p. 39
montage module central .....	p. 42
montage module d'angle .....	p. 44
montage repose-pied .....	p. 46
montage pièce de connexion .....	p. 47
entretien .....	p. 48

### ITALIANO P. 51

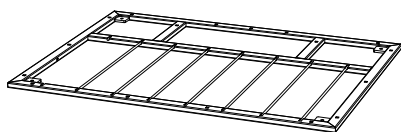
contenuto .....	p. 51
montaggio seduto ad angolo .....	p. 54
montaggio seduto centrale .....	p. 56
montaggio puf .....	p. 58
montaggio elemento di connessione .....	p. 59
manutenzione .....	p. 60

### ESPAÑOL P. 63

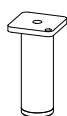
contenido .....	p. 63
montaje asiento esquinero .....	p. 66
montaje asiento medio .....	p. 68
montaje taburete .....	p. 70
montaje pieza de conexión .....	p. 71
mantenimiento .....	p. 72

## CONTENTS

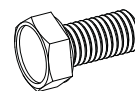
### CORNER SEAT - LEFT, RIGHT P. 6



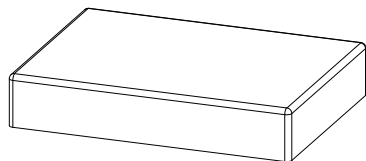
1 x frame



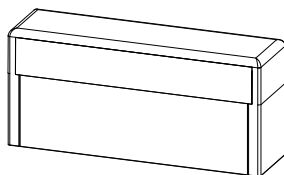
4 x feet



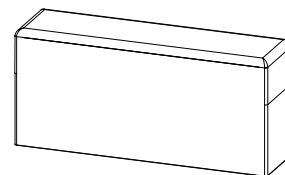
4 x M10x20 bolts



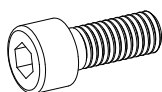
1 x seat cushion



1 x backrest



1 x armrest



6 x M8x20 bolts



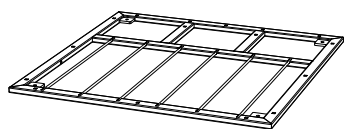
3 x M8 cap nuts



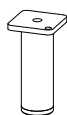
9 x M8 flat washers

---

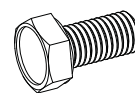
### MIDDLE SEAT P. 8



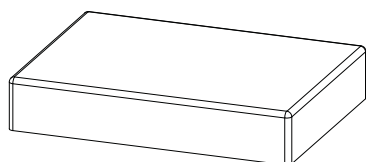
1 x frame



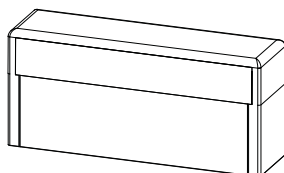
4 x feet



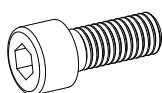
4 x M10x20 bolts



1 x seat cushion



1 x backrest



3 x M8x20 bolts



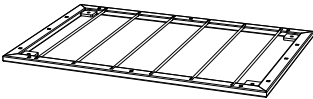
3 x M8 cap nuts



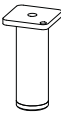
6 x M8 flat washers

**CONTENTS**

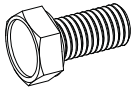
FOOTSTOOL P. 10



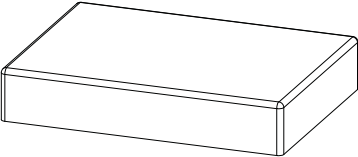
1 x frame



4 x feet



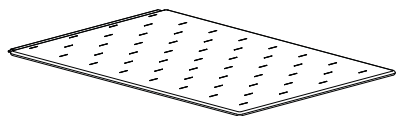
4 x M10x20 bolts



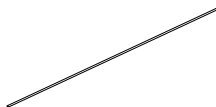
1 x seat cushion

## OPTIONAL

### BLANKET

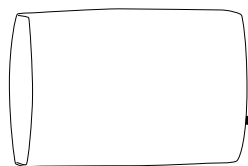


1 x blanket



1 x glass fibre rod  
(L = 985 mm)

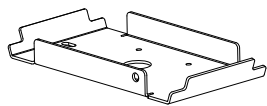
### CUSHION 85 X 55 CM



1 x cushion

---

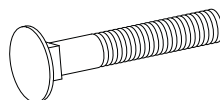
### CONNECTION PIECE P. 16



1 x connector base



1 x connector



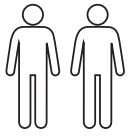
2 x M8x50 lock bolts



2 x M8 nuts

# ASSEMBLING THE CORNER SEAT

## WHAT YOU NEED



2 people



no. 17 spanner

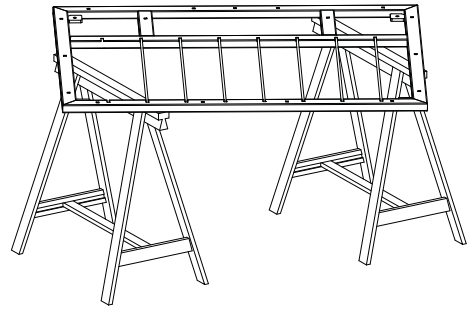


no. 5 hex key

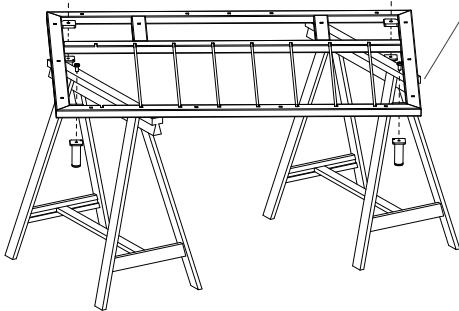
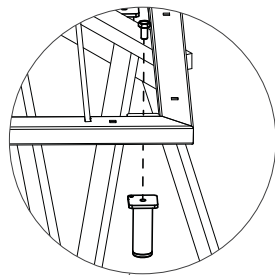


+/- 30 min.

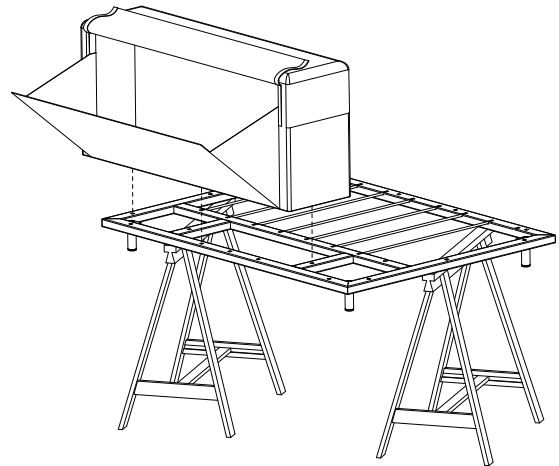
2 to 4 trestles



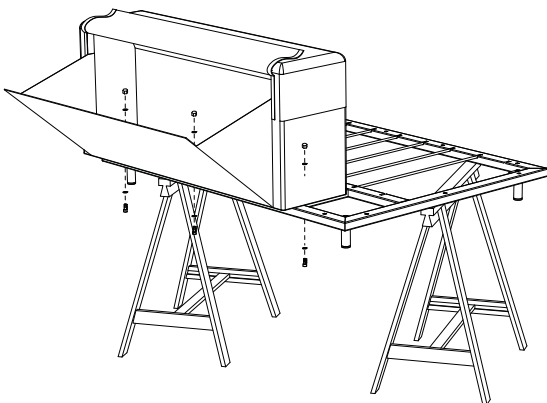
1. Place the frame on trestles (so that you can reach the underside more easily). Be sure to place the frame with the rods facing upwards.



2. Attach the 4 feet to each corner of the frame with an M10x20 bolt. Tighten them using a no. 17 spanner.

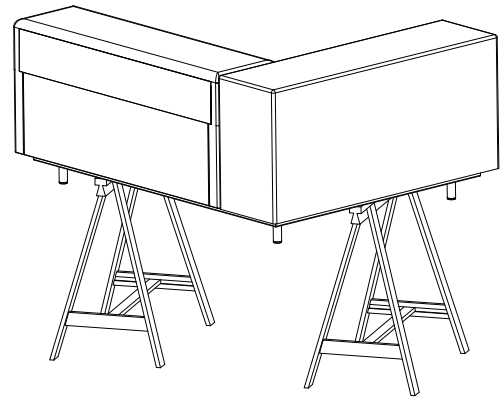
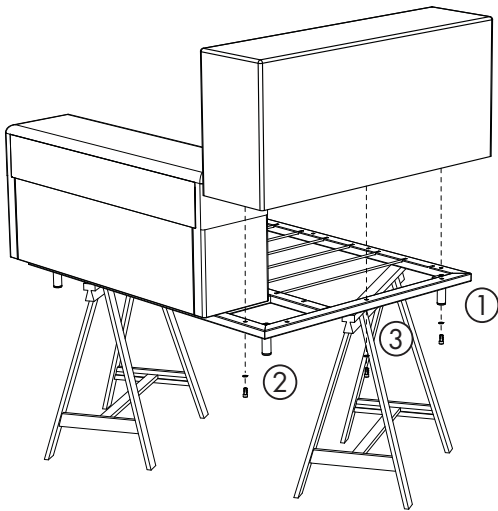


3. Attach the back rest to the back of the frame (the side with no rods present), with the storage pouch facing outwards. Make sure the holes in the frame match up with the holes in the backrest. **There is a rod missing from the frame where the arm rest will be fitted. Bear this in mind as you are positioning the backrest.**



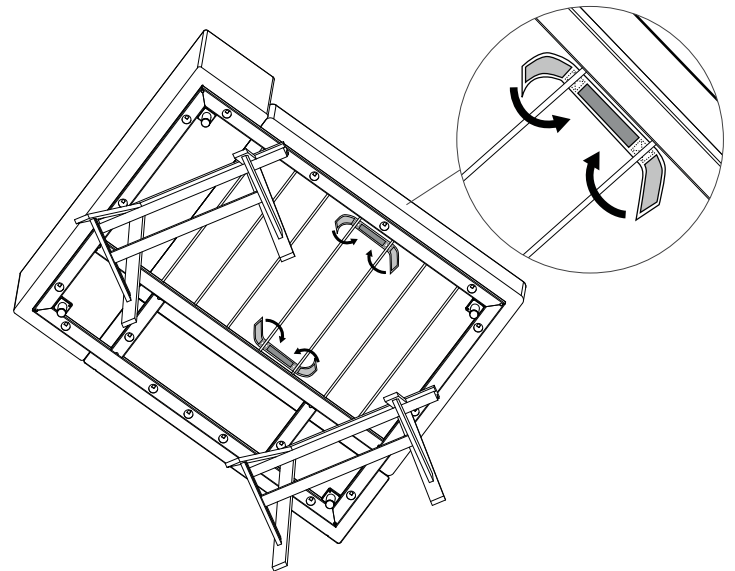
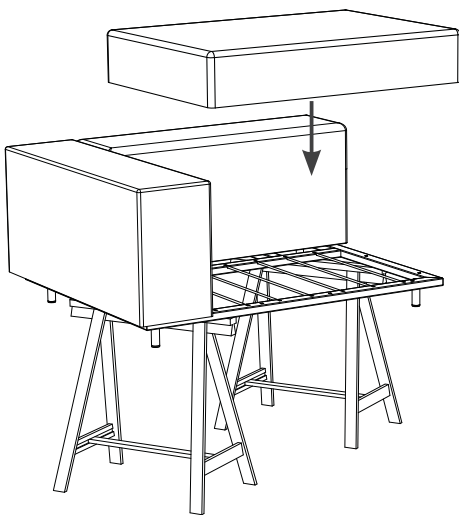
4. Push 3 M8x20 bolts, each with one M8 flat washer on them, through the underside of the frame so that they come out in the body of the backrest, and attach them with an M8 cap nut.





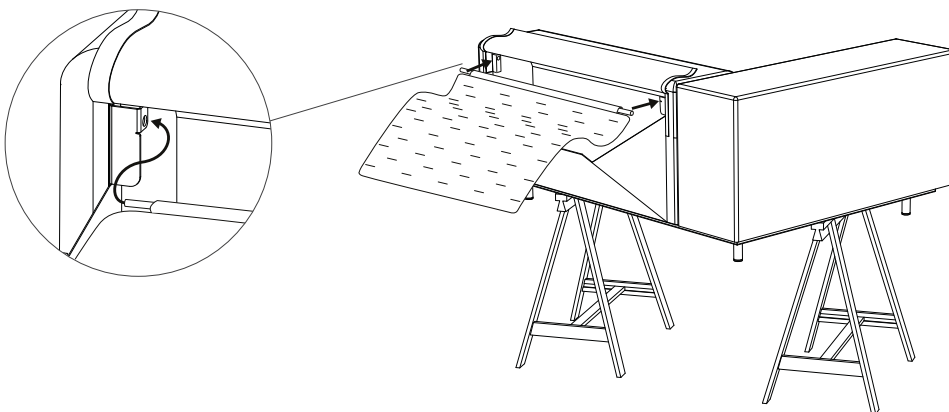
5. Now attach the arm rests to the frame, using 3 M8x20 bolts for each arm rest and an M8 flat washer on each bolt. **PLEASE NOTE:** make sure the holes match up, and then tighten all the bolts in the arm and backrest. **TIP:** tighten the bolt at the front first ①, then the one at the back ② and lastly the one in the middle ③.

**If you want to link the modules together using the connector, it is best to do this before you attach the seat cushion to the frame. You will find instructions for linking the modules with the connector on page 11.**



6. Place the seat cushion on the frame and fix it in place by attaching the Velcro straps to the two rods in the middle.

### OPTIONAL



1. Open the cover of the back rest. Attach the blanket to the backrest using the glass fibre rod (L = 985 mm) included with the blanket.

2. Drape the blanket over the sofa and add the cushion.

# ASSEMBLING THE MIDDLE SEAT

## WHAT YOU NEED



2 people



no. 17 spanner

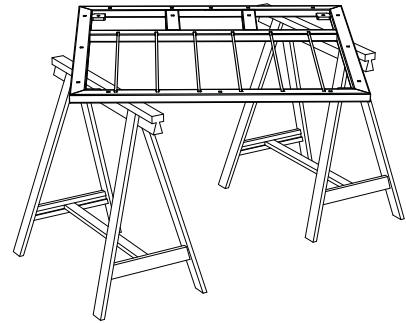


no. 5 hex key

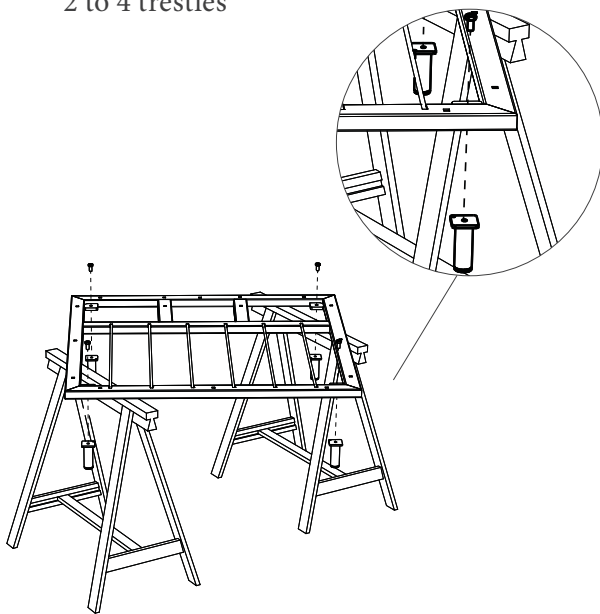


+/- 30 min.

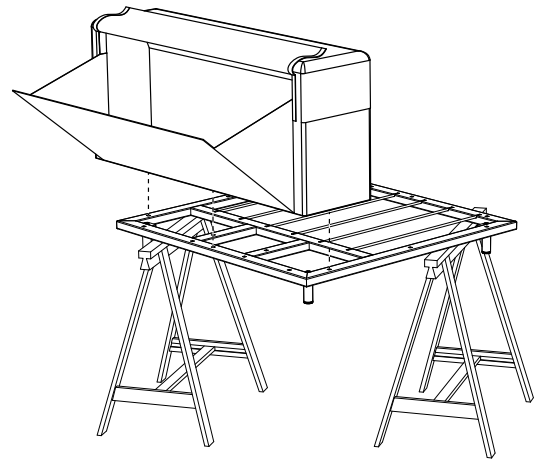
2 to 4 trestles



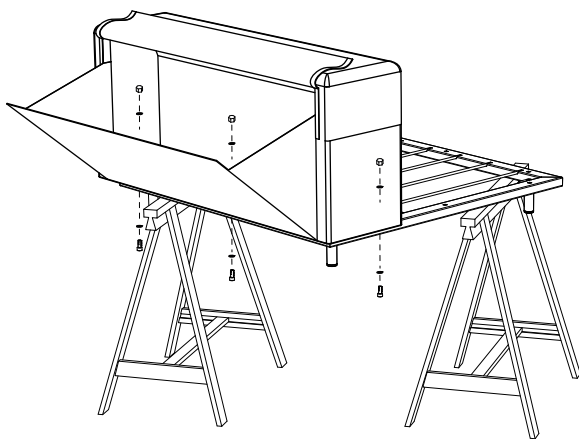
1. Place the frame on trestles (so that you can reach the underside more easily). Be sure to place the frame with the small rods pointing upwards.



2. Attach the 4 feet to each corner of the frame with an M10x20 bolt. Tighten them using a no. 17 spanner.



3. Attach the backrest to the back of the frame (the side with no rods sticking out), with the storage pouch facing outwards. Make sure the holes in the frame match up with the holes in the backrest.

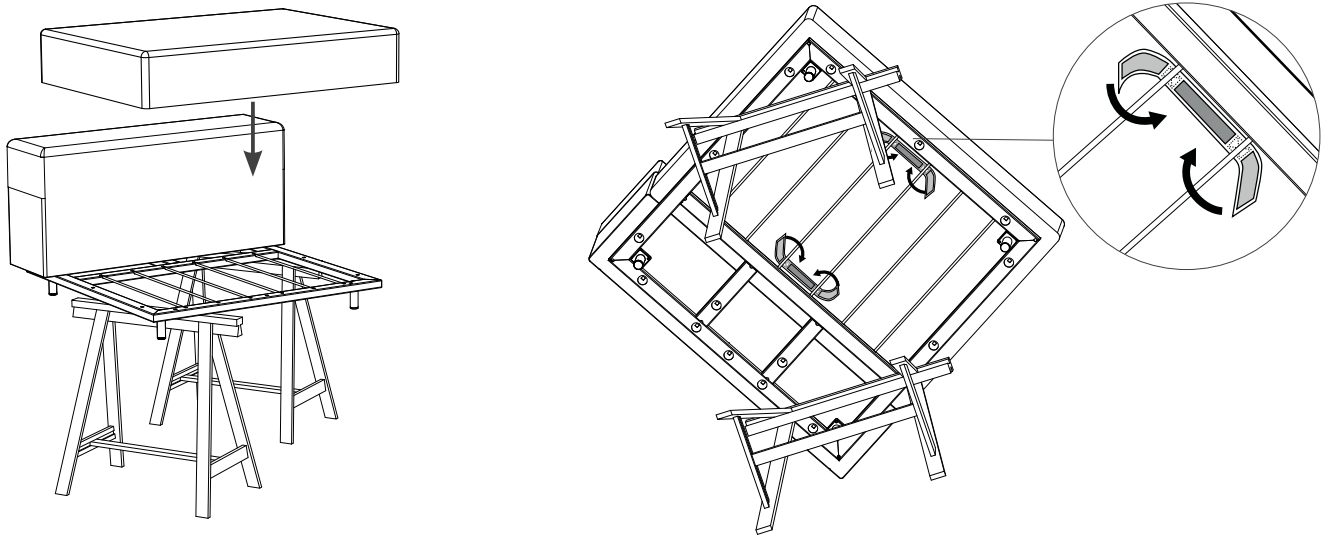


4. Push 3 M8x20 bolts, each with one M8 flat washer on them, through the underside of the frame so that they come out in the body of the back rest, and attach them with an M8 cap nut.



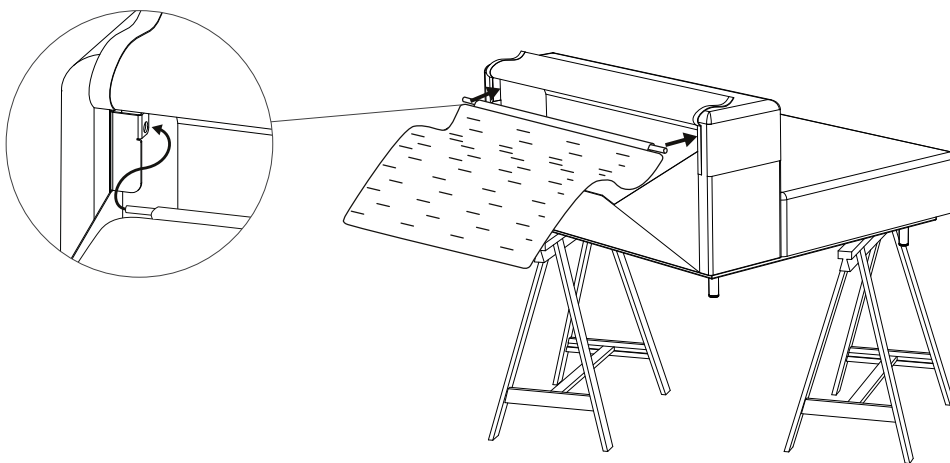


If you want to link the modules together using the connector, it is best to do this before you attach the seat cushion to the frame. You will find instructions for linking the modules with the connector on page 11.



6. Place the seat cushion on the frame and fix it in place by attaching the Velcro straps to the two rods in the middle.

## OPTIONAL



1. Open the cover of the back rest. Attach the blanket to the backrest using the glass fibre rod (L = 985 mm) included with the blanket.

2. Drape the blanket over the sofa and add the cushion.

## ASSEMBLING THE FOOTSTOOL

### WHAT YOU NEED



1 person

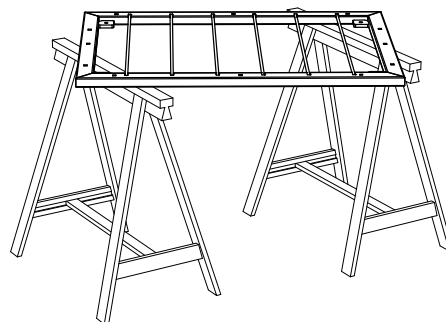


no. 17 spanner

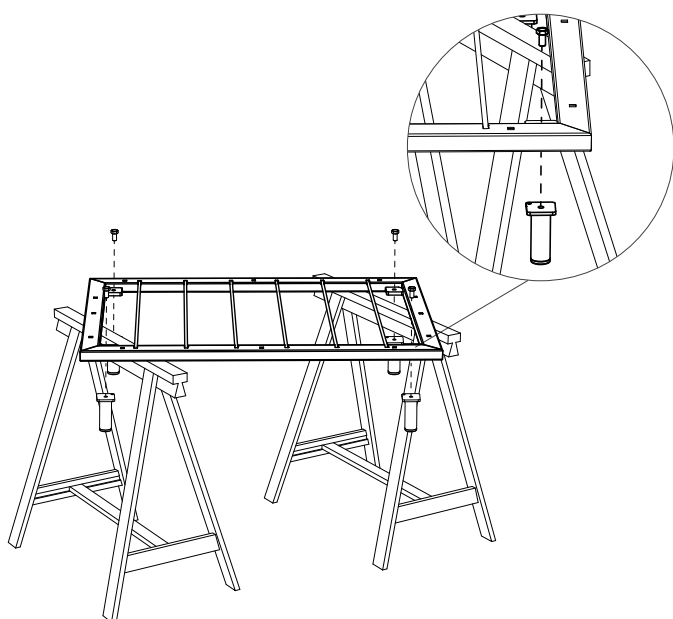


+/- 15 min.

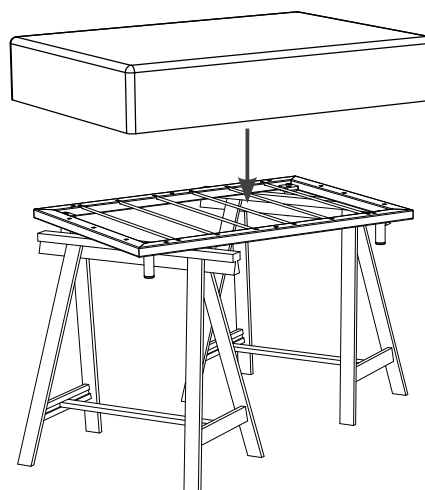
2 to 4 trestles



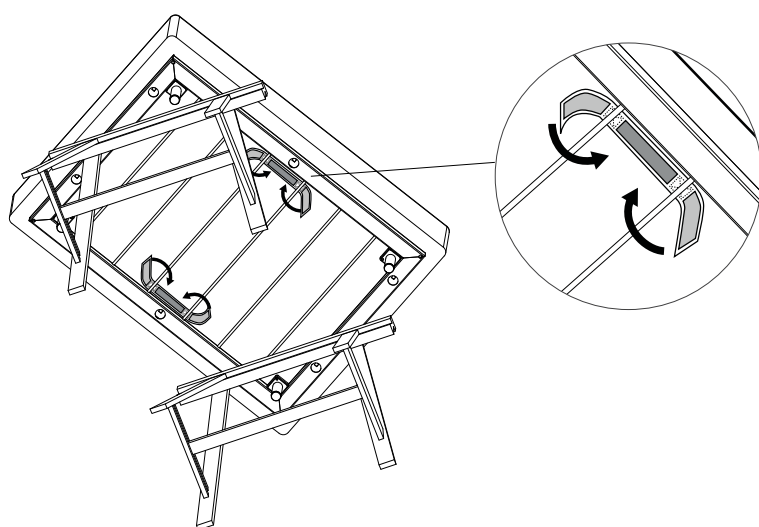
1. Place the frame on trestles (so that you can reach the underside more easily). Be sure to place the frame with the small rods pointing upwards.



2. Attach the 4 feet to each corner of the frame with an M10x20 bolt. Tighten them using a no. 17 spanner.



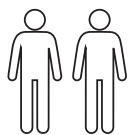
3. Place the seat cushion on the frame



4. Fix it in place by attaching the Velcro straps to the two rods in the middle.

## ASSEMBLING THE CONNECTION PIECE

### WHAT YOU NEED



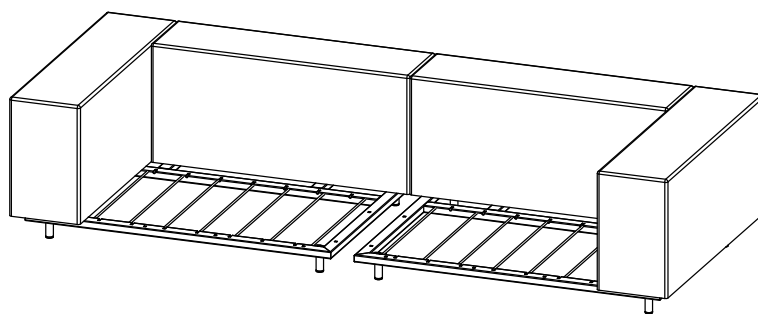
2 people



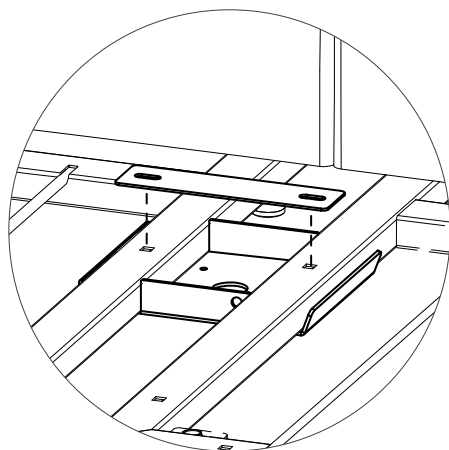
no. 17 spanner



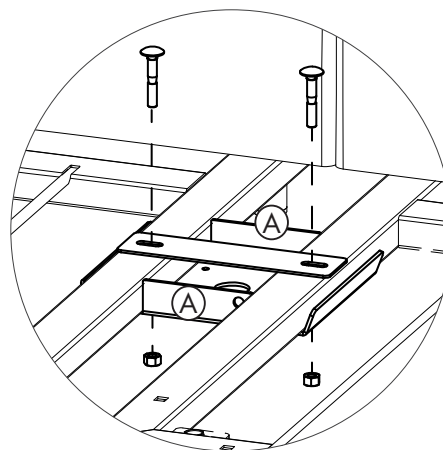
+/- 15 min.



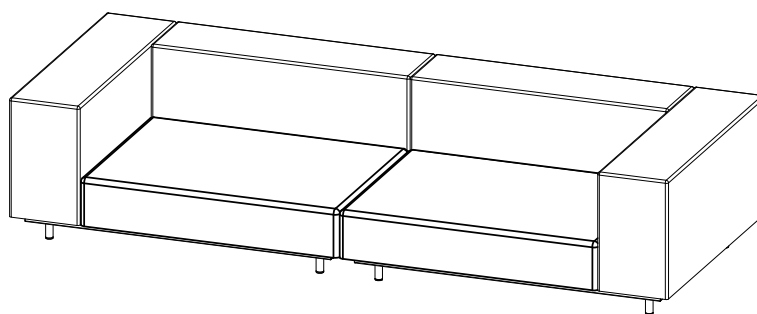
1. Place the modules in the correct position in the definitive place where you intend to use the sofa. Place the modules side by side and align them as well as possible.



2. Hold the base of the connector underneath, between the 2 frames, level with the holes intended for attaching the connector. Lay the upper plate on top of the 2 frames, also level with the holes intended for attaching the connector.



3. Attach the base and upper plate using the nuts and lock bolts. Tightening the nuts will bring the two modules closer together. Tighten them until the frames are pulled right up against the vertical ribs (A) of the connector base.



4. Place the seat cushions on the frames and fix them in place by attaching the Velcro straps around the glass fibre rods (see step 6 on page 7).

## MAINTENANCE

### GALVANISED STEEL

Galvanisation, or applying a hot-dipped zinc coating, is the most durable way of protecting metal from rusting. If the zinc layer is damaged, however, the exposed metal may begin to rust. This can be dealt with simply using zinc paint, which will automatically have the same colour as the frame and can be bought from shops.

Galvanisation is a form of heat treatment that may slightly distort the material. Other metal protection methods do not have this drawback, but the quality they provide is unsatisfactory.

### CLEANING THE TARPAULIN MATERIAL

Your Walrus sofa does not need much care. This is because all the materials used have a dirt-repellent coating. This coating ensures that dirt cannot get into the material as easily, but it cannot prevent dust, dirt or stains ending up on the seat. Just like all outdoor furniture, this sofa does require a minimal amount of care. It is very important here that you follow Extremis' care instructions carefully. Other methods or cleaning products may cause irreparable damage to the fabrics and dirt-repellent coating. With the motto "prevention is better than cure" in mind, a few preventative measures will keep your sofa in iptop condition for a very long time. As with any other material, a patina will form on the materials used for the Walrus sofa after a while. This patina does not affect the quality of the material.

#### DAY TO DAY CLEANING

To avoid stains as far as possible, we advise you to clean the sofa regularly with lukewarm water (max. 40°C) and mild soap, applied with a clean

cloth or soft sponge.

After cleaning, simply allow it to dry naturally or, for best results, dry with a clean cloth.

#### FOR REMOVING STAINS

Never allow stains to soak into the tarpaulin. Soak up anything likely to cause a stain immediately with a soft, clean cloth or sponge.

If visible stains remain, it is best to clean them with lukewarm water (max. 40°C) and mild soap. Only use a clean cloth or a soft sponge! (Never use the scouring side of the sponge.)

Never rub too hard and be sure not to use abrasive cleaning products. This can damage the protective coating which will lead to the tarpaulin absorbing dirt more quickly.

Do not only treat the dirty spot, but the surrounding area of the tarpaulin as well.

If stubborn stains remain visible after treatment according to the instructions above, you can clean the tarpaulin with the MiraClean sponge provided. Dip the sponge in water and rub it over the stain. Do not rub too hard with this sponge either to avoid damaging the protective layer.

What if the stain has still not completely disappeared after you have done this? Don't panic. The stain will fade away almost completely in the sunlight.

Never, ever use solvents or detergents such as acetone, ether, petrol, pure alcohol, washing powder or washing up liquid, highly acidic or alkaline products, highly oxidising materials such as bleach or cleaning products with abrasive ingredients.

Always try to prevent pens, pencils and other writing implements coming into contact with the sofa. They are often designed to be difficult to erase or even indelible.

NEVER put the tarpaulin in the washing machine or tumble dryer.

The tarpaulin must not be ironed.

### SUNBRELLA BLANKET + PILLOW

#### DAY TO DAY CLEANING

Shake or wipe off any loose dirt.

Prepare a cleaning solution of 15 ml of mild detergent, such as Woolite or Dawn dishwashing liquid, per litre of lukewarm water (2 fl oz or 1/4 cup to the gallon).

Use a sponge or a soft bristle brush to clean.

Allow the cleaning solution to soak into the fabric.

Rinse thoroughly to remove all detergent residues.

Allow the fabric to dry naturally. Sunbrella dries very quickly in the open air. Machine drying is not necessary.

It is also possible to put the blankets and cushion covers in a washing machine (max 40°C). Do not dry clean or tumble dry.

If the fabric is creased, iron if necessary but only at a cool setting (synthetics). As some irons exceed the recommended temperature at the synthetic setting, test a small, inconspicuous area before ironing the entire fabric. DO NOT use a steamer or iron set to the steam setting.

#### FOR REMOVING STAINS

Prepare a solution of 60 ml of bleach and 15 ml of mild detergent per litre of clean water (8 fl oz (1 cup) of bleach and 2 fl oz (1/4 cup) of detergent per gallon). TIP: Protect the area around your Sunbrella fabric when using a bleach solution – bleach may discolour non-Sunbrella

fabrics. Always rinse Sunbrella thoroughly to completely remove bleach. Please be aware of the environment when cleaning with bleach. Bleach can have harmful effects on the natural environment around you. We do not advise using bleach if you are surrounded by a body of water or another environment that could be affected.

Spray onto the entire area and allow it to soak into the fabric for 15 minutes.

Remove the stain with a sponge, clean towel or very soft bristle brush.

Rinse thoroughly to remove all detergent residues.

Allow the fabric to dry naturally.

If stains and/or mildew marks are severe, the quantity of bleach may be increased. See [https://trade.sunbrella.com/en\\_us/pdf/cleaning-sunbrella-upholstery-drapery.pdf](https://trade.sunbrella.com/en_us/pdf/cleaning-sunbrella-upholstery-drapery.pdf) for more detailed instructions about treating Sunbrella.

## GLASS FIBRE RODS

The glass fibre rods do not require special maintenance. They can simply be kept dustfree with a slightly damp cloth. To avoid irritation, do not touch the ends of the rods.

## TAKING CARE OF YOUR OUTDOOR FURNITURE

The outdoors is not a gentle environment for your furniture. Rain, dust, dirt, trees, animals, humidity, pollution or a seaside climate will all affect the clean appearance of outdoor furniture. Keep in mind as well that the colour, texture and type of material used will all affect the visibility of rain, dust and dirt. White, for example, is a particularly sensitive colour.

Although we only use the best materials available on the market, there is no such thing as a material that does not age over time. Therefore we advise you to take good care of your outdoor furniture and clean it every now and then. How often you need to clean it will depend on the conditions it is used in.

## WARNING

### MAGIC SPONGE

Only use the Miraclean sponge when normal cleaning with lukewarm water, soft soap and a normal sponge isn't sufficient!

If stubborn stains remain visible after treatment according to the instructions (see product manual), you can use the MiraClean sponge provided. Dip the sponge in water and rub it over the stain. **Do not rub too hard with this sponge** as this might cause dull patches on a surface.

There is **no need to use cleaning products**. Water alone is sufficient.

This sponge is made of melamine resin and wears away with use. The sponge is very easy to use and gives results up to 26 times more quickly than a traditional microfibre cloth.

The magic sponge gets rid of most stubborn stains without extra effort.

**Never use this sponge on high-gloss surfaces as it may cause dull patches.**

The magic sponge is the solution for getting rid of stubborn stains such as felt-tip pens, grease, scuff marks, limescale marks or coffee and tea stains. The magic sponge can be used on tarpaulin fabric, plastic profiles, glass, steel, chrome, aluminium, porcelain, artificial leather and many types of floor.

For more information, contact Extremis: [info@extremis.be](mailto:info@extremis.be)

## MAGNETS

Do not leave iron items such as needles, knives or tools close to the magnets.

**People with a pacemaker should not come into contact with the magnetic field.**

Keep electrical equipment and data cards away from the magnetic field.

Keep the magnets out of the way of open flames and heat.

## OTHER

Remove dirt immediately.

Keep the cushion and blanket indoors if you do not use the sofa for a long time!

## POWDER COATED FRAME + FEET

Clean with lukewarm water and a mild detergent.

## LANGUAGES

### ENGLISH P. 3

contents .....	p. 3
assembly corner seat .....	p. 6
assembly middle seat .....	p. 8
assembly footstool .....	p. 10
assembly connection piece .....	p. 11
maintenance .....	p. 12

### NEDERLANDS P. 15

inhoud .....	p. 15
montage hoekzit .....	p. 18
montage tussenzit .....	p. 20
montage poef .....	p. 22
montage koppelstuk .....	p. 23
onderhoud .....	p. 24

### DEUTSCH P. 27

inhalt .....	p. 27
montage eck-modul .....	p. 30
montage mittel-modul .....	p. 32
montage puf .....	p. 34
montage verbindungsstück .....	p. 35
pflege .....	p. 36

### FRANÇAIS P. 39

contenu .....	p. 39
montage module central .....	p. 42
montage module d'angle .....	p. 44
montage repose-pied .....	p. 46
montage pièce de connexion .....	p. 47
entretien .....	p. 48

### ITALIANO P. 51

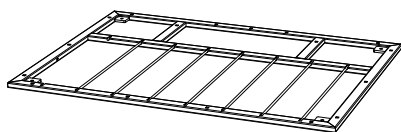
contenuto .....	p. 51
montaggio seduto ad angolo .....	p. 54
montaggio seduto centrale .....	p. 56
montaggio puf .....	p. 58
montaggio elemento di connessione .....	p. 59
manutenzione .....	p. 60

### ESPAÑOL P. 63

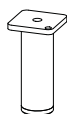
contenido .....	p. 63
montaje asiento esquinero .....	p. 66
montaje asiento medio .....	p. 68
montaje taburete .....	p. 70
montaje pieza de conexión .....	p. 71
mantenimiento .....	p. 72

## INHOUD

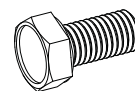
### HOEKZIT - LINKS, RECHTS P. 24



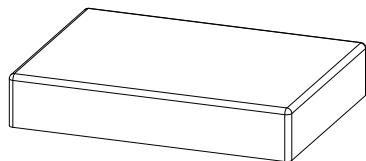
1 x onderstel



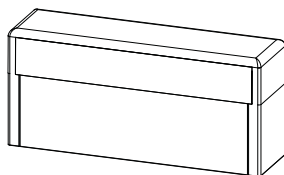
4 x pootjes



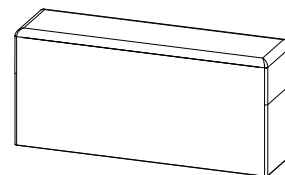
4 x bout M10x20



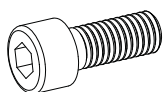
1 x zitkussen



1 x rugkussen



1 x armkussen



6 x bout M8x20



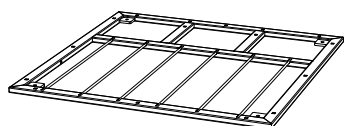
3 x dopmoer M8



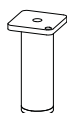
9 x vlakke sluitring M8

---

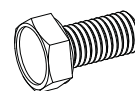
### TUSSENZIT P. 26



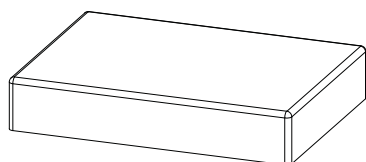
1 x onderstel



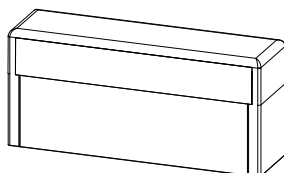
4 x pootjes



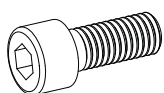
4 x bout M10x20



1 x zitkussen



1 x rugkussen



3 x bout M8x20



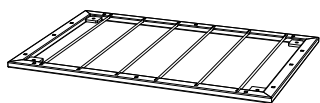
3 x dopmoer M8



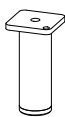
6 x vlakke sluitring M8

## INHOUD

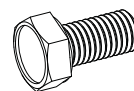
POEF P. 28



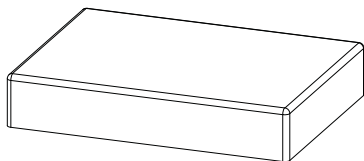
1 x onderstel



4 x pootjes



4 x bout M10x20

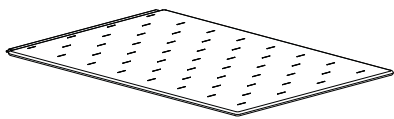


1 x zitkussen

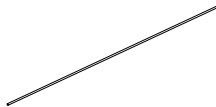


## OPTIONEEL

### DEKENTJE

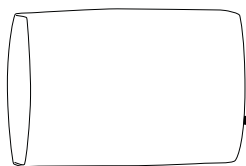


1 x dekentje



1 x glasvezel stokje  
(L = 985 mm)

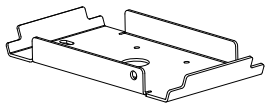
### KUSSEN 85 X 55 CM



1 x kussen

---

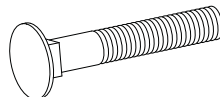
### KOPPELSTUK P. 34



1 x basis



1 x bovenplaat



2 x slotbout M8x50



2 x moer M8

# MONTAGE HOEKZIT

## BENODIGDHEDEN



2 personen



steeksleutel nr. 17

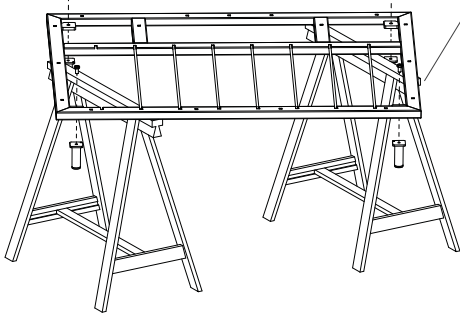
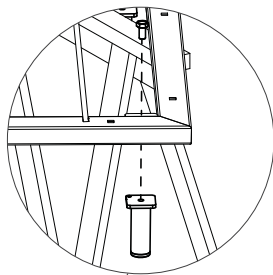


inbussleutel nr. 5

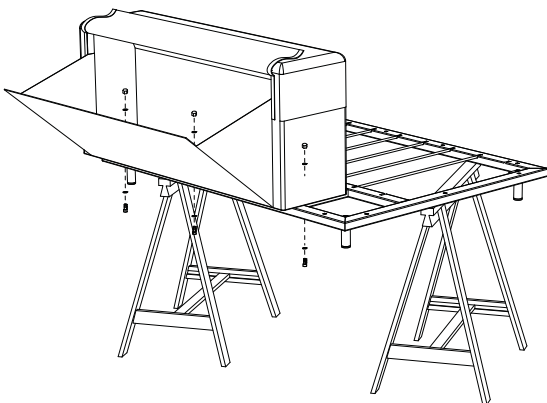


+/- 30 min.

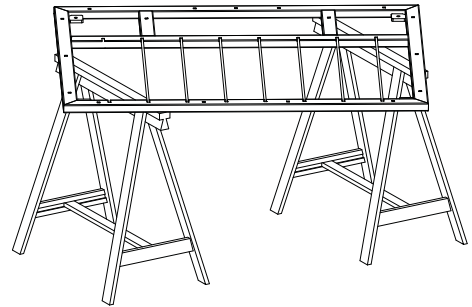
2 à 4 schragen



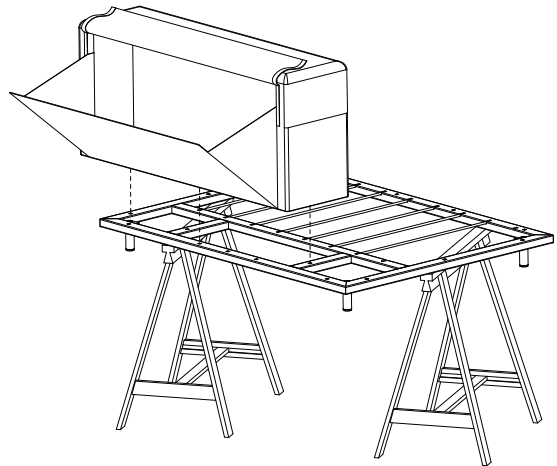
2. Bevestig de 4 pootjes telkens in de hoeken van het frame met een bout M10x20. Draai deze aan m .b.v. een steeksleutel nr. 17.



4. Steek 3 bouten M8x20 met telkens een vlakke sluitring M8 door de onderkant van het frame, zodat deze in de bak van het rugkussen uitkomt en bevestig met een dopmoer M8.

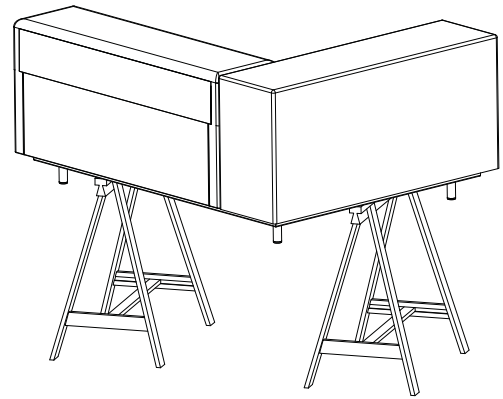
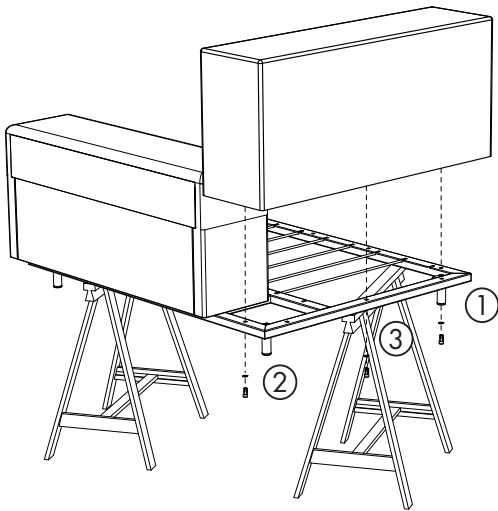


1. Leg het frame op schragen (zo geraak je makkelijker bij de onderkant). **LET OP:** plaats het frame met de stokjes naar boven gericht.

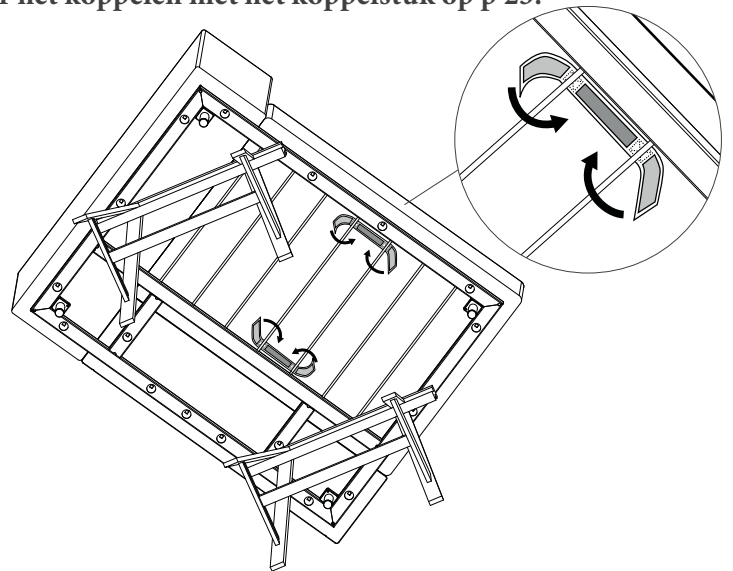
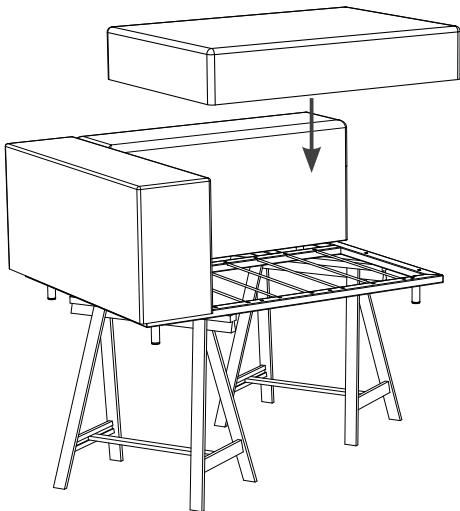


3. Plaats het rugkussen op de achterkant v.h. frame (de plaats waar geen stokjes zitten) met het opbergvak naar de buitenkant. Zorg ervoor dat de gaten van het frame en de gaten van de bak overeenkomen. **Op de plaats waar het armkussen zal komen is een stokje weggelaten uit het frame. Houd hier rekening mee voor de positie van het rugkussen.**



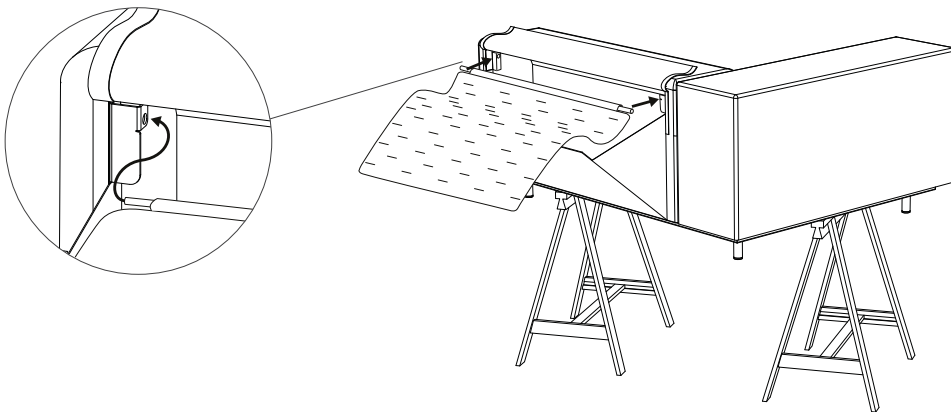


5. Bevestig nu het armkussen aan het frame d.m.v. telkens 3 bouten M8x20 met telkens een vlakke sluitring M8.  
**LET OP:** Zorg ervoor dat de gaten overeenkomen, span nu alle bouten van de arm- en rugkussens aan. **TIP:** draai eerst de bout aan de voorkant vast ①, dan diegene aan de achterkant ② en dan pas deze in het midden ③.  
**Indien u de modules aan elkaar wenst te verbinden door middel van het koppelstuk, doet u dit best voor dat u het zitkussen op het frame vastmaakt. Instructies voor het koppelen met het koppelstuk op p 23.**



6. Plaats het zitkussen nu op het frame en maak deze vast d.m.v. de velcro straps rond de 2 middelste stokjes vast te maken.

## OPTIONEEL

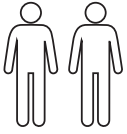


1. Open het rugkussen. Bevestig het dekkentje in het rugkussen d.m.v. het bijgeleverde glasvezel stokje (L = 985 mm).

2. Drapeer het dekkentje over de sofa en plaats het kussen erbij.

# MONTAGE TUSSENZIT

## BENODIGDHEDEN



2 personen



steeksleutel nr. 17

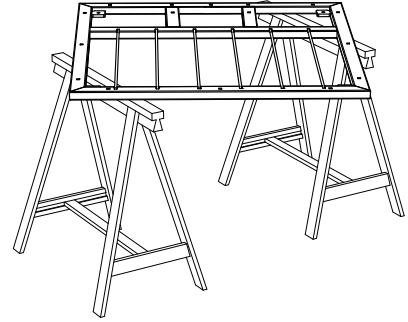


inbussleutel nr. 5

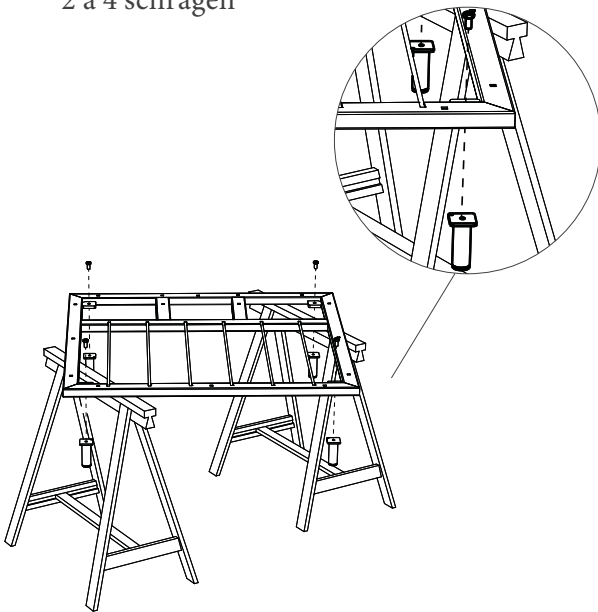


+/- 20 min.

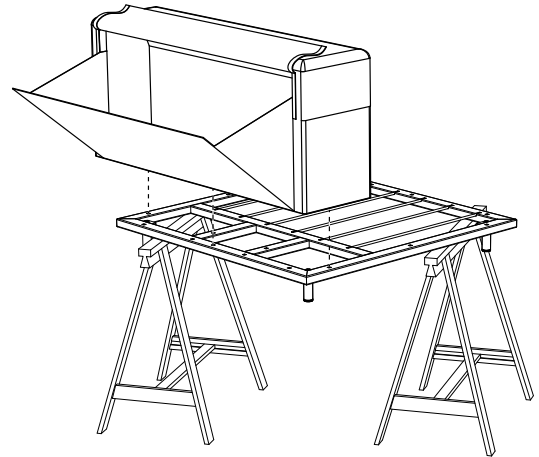
2 à 4 schragen



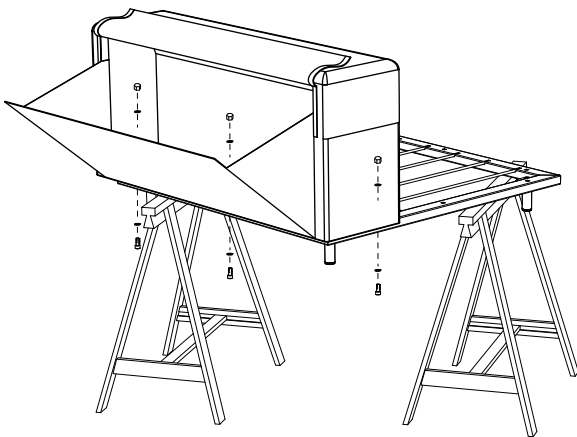
1. Leg het frame op schragen (zo geraak je makkelijker bij de onderkant). **LET OP:** plaats het frame met de stokjes naar boven gericht.



2. Bevestig de 4 pootjes telkens in de hoeken van het frame met een bout M10x20. Draai deze aan m.b.v. een steeksleutel nr. 17.



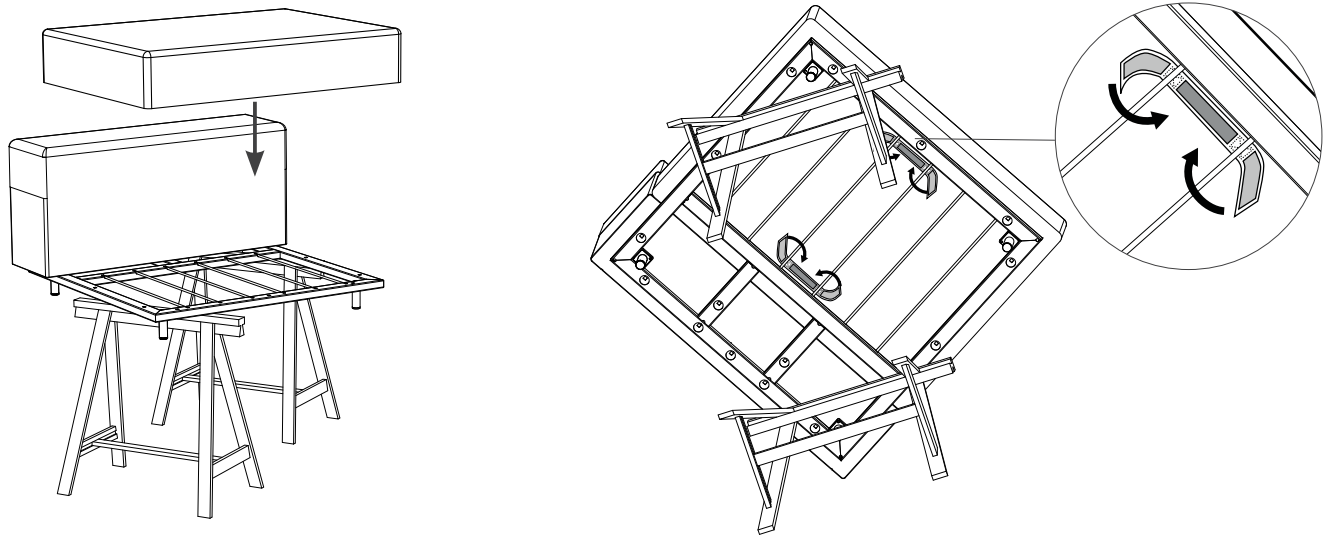
3. Plaats het rugkussen op de achterkant v.h. frame (de plaats waar geen stokjes zitten) met het opbergvak naar de buitenkant. Zorg ervoor dat de gaten van het frame en de gaten van de bak overeenkomen.



4. Steek 3 bouten M8x20 met telkens een vlakke sluitring M8 door de onderkant van het frame, zodat deze in de bak van het rugkussen uitkomt en bevestig met een dopmoer M8.

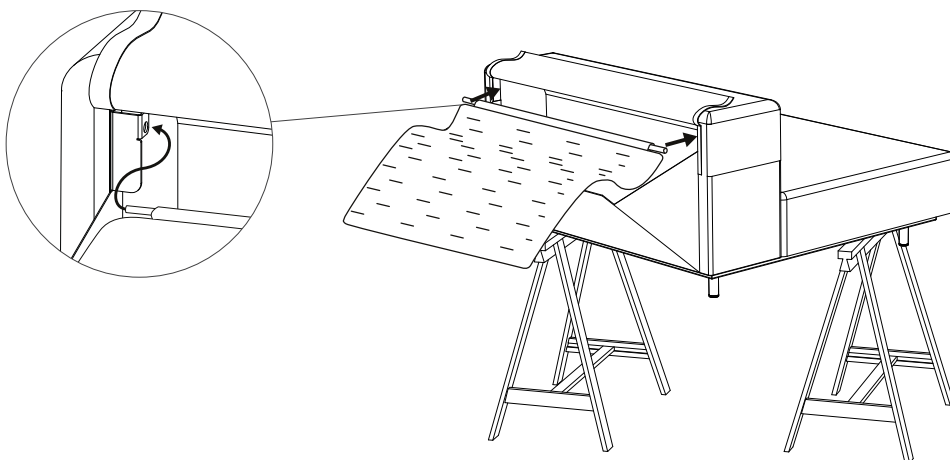


Indien u de modules aan elkaar wenst te verbinden door middel van het koppelstuk, doet u dit best voor dat u het zitkussen op het frame vastmaakt. Instructies voor het koppelen met het koppelstuk op p 23.



5. Plaats het zitkussen nu op het frame en maak deze vast d.m.v. de velcro straps rond de 2 middelste stokjes vast te maken.

### OPTIONEEL



1. Open het rugkussen. Bevestig het dekontje in het rugkussen d.m.v. het bijgeleverde glasvezel stokje (L = 985 mm).

2. Drapeer het dekontje over de sofa en plaats het kussen erbij.

# MONTAGE POEF

## BENODIGDHEDEN



1 persoon

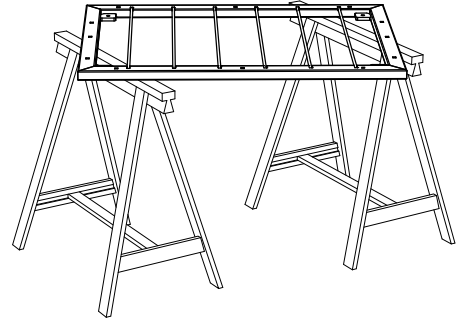


steeksleutel nr. 17

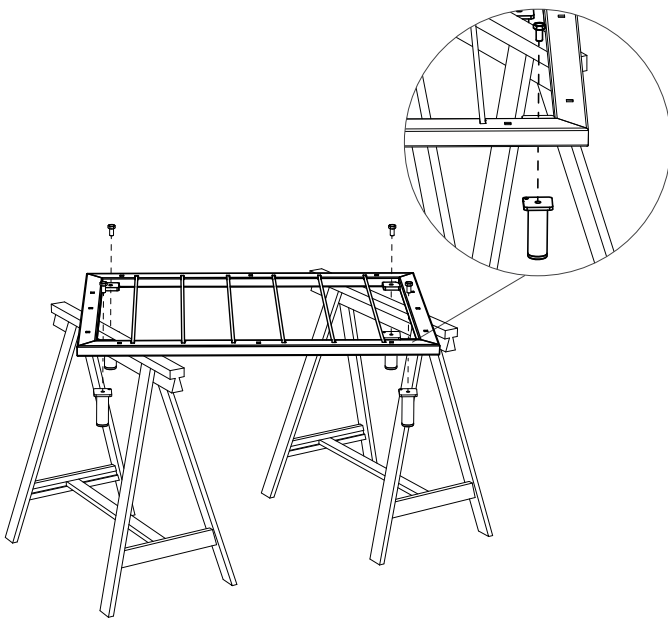


+/- 15 min.

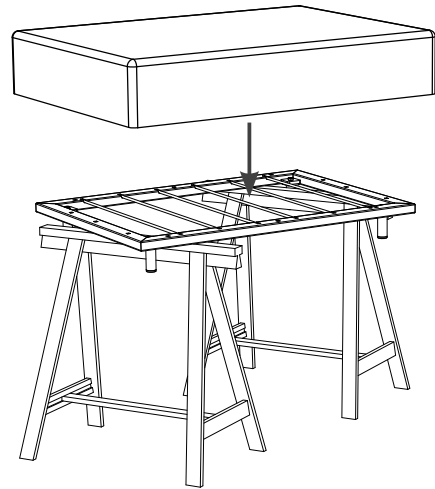
2 à 4 schragen



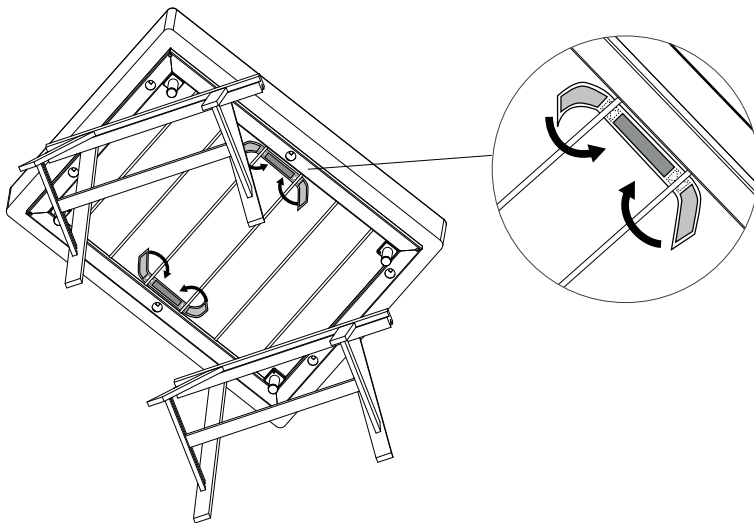
1. Leg het frame op schragen (zo geraak je makkelijker bij de onderkant). **LET OP:** plaats het frame met de stokjes naar boven gericht.



2. Bevestig de 4 pootjes telkens in de hoeken van het frame met een bout M10x20. Draai deze aan m.b.v. een steeksleutel nr. 17.



3. Plaats het zitkussen op het frame.



4. Maak het kussen vast door middel van de velcro straps. de straps sluiten rond de twee middelste glasvezelstokken.

# MONTAGE KOPPELSTUK

## BENODIGDHEDEN



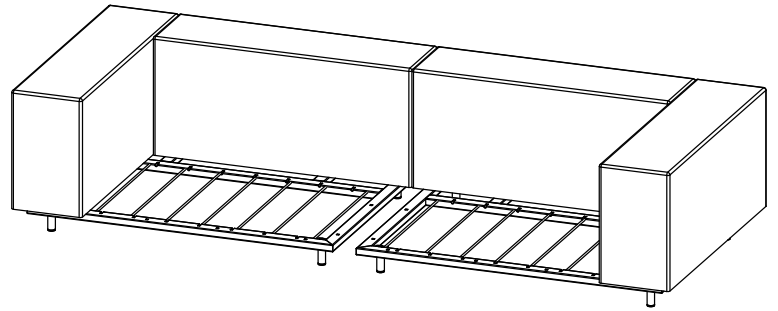
2 personen



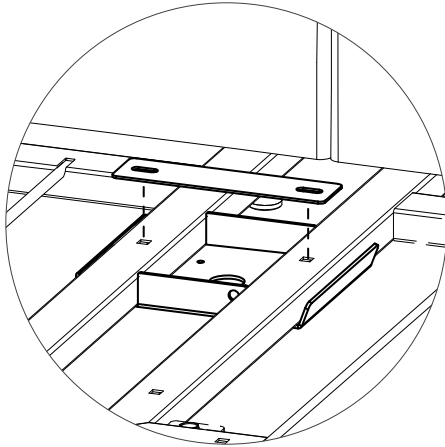
steeksleutel nr. 17



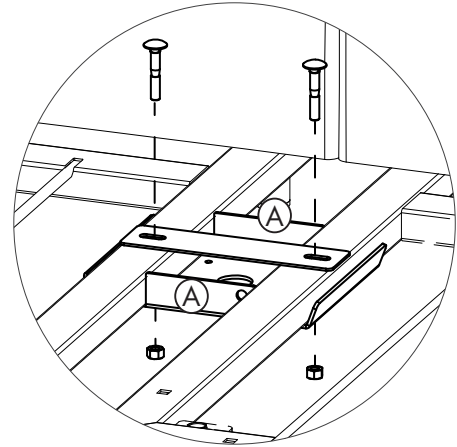
+/- 15 min.



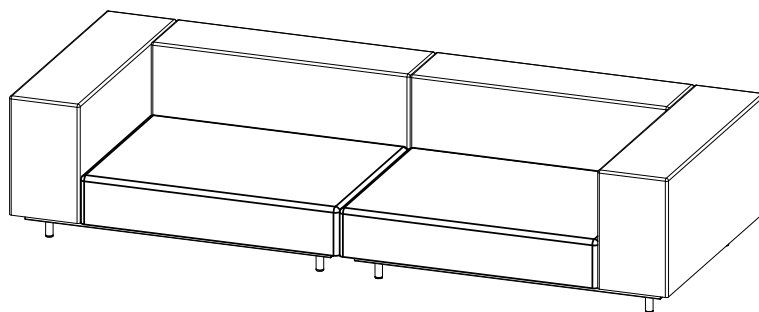
1. Plaats de modules in de juiste positie op de plaats waar u de sofa uiteindelijk wenst te gebruiken. Plaats de modules tegen elkaar en lijn deze al zo goed mogelijk met elkaar uit.



2. Houd de basis van het koppelstuk onderaan, tussen de 2 frames ter hoogte van de gaten die voorzien werden voor de bevestiging van het koppelstuk. Leg de bovenplaat boven op de 2 frames ter hoogte van de gaten die voorzien werden voor de bevestiging van het koppelstuk.



3. Maak de basis en de bovenplaat vast door middel van de slotbouten en de moeren. Door de moeren aan te spannen zullen de twee modules naar elkaar toe getrokken worden. Span aan tot de frames volledig tegen de opstaande ribben (A) van de basis getrokken worden.



4. Leg de zitkussens op de frames en maak deze vast met de velcro strips rond de glasvezel stokken (zoals te zien op pagina 19 stap 6).

## ONDERHOUD

### GEGALVANISEERD STAAL

Galvanisatie, of thermische verzinking, is de meest duurzame manier om metaal te beschermen tegen roestvorming. Als de zinklaag wordt beschadigd, kan het blootgekomen metaal toch roesten. Dit is eenvoudig bij te werken met zinkverf, die automatisch dezelfde kleur heeft en in de handel verkrijgbaar is.

Galvanisatie is een thermisch proces en kan het materiaal licht vervormen. Daardoor zijn er altijd kleine hoogteverschillen te bemerken als alle banken op hun hoogste positie worden geplaatst. Andere metaalbeschermings-methodes hebben dit nadeel niet, maar leveren onvoldoende kwaliteit. Aangezien het vergroten van de tafel enkel een bijkomende mogelijkheid is, kozen wij voor de meest degelijke oplossing.

### BACHE

Uw Walrus zitmeubel heeft weinig onderhoud nodig. Alle gebruikte stoffen zijn namelijk voorzien van een vuilwerende coating. Deze coating zorgt ervoor dat vuil minder snel in het materiaal dringt, maar voorkomt niet dat stof, vuil of vlekken op de zetel terecht komen. Net zoals alle buitenmeubelen vereist ook deze zetel een minimum aan onderhoud. Daarbij is het heel belangrijk dat u de onderhoudsvoorschriften van Extremis zorgvuldig opvolgt. Andere methodes of producten kunnen de stoffen en vuilwerende coating immers onherstelbare schade toebrengen. Onder het motto "voorkomen is beter dan genezen" zorgen enkele preventieve maatregelen ervoor dat uw sofa zeer lang in topconditie blijft. Net zoals eender welk ander materiaal zal er bij de materialen van de Walrus sofa een patine vormen na enige tijd. Deze patine doet geen afbraak aan de kwaliteit van het materiaal.

### DAGELIJKS ONDERHOUD

Om vlekken zo veel mogelijk te vermijden raden wij aan de sofa regelmatig te reinigen met lauw water (max. 40°C) en een milde zeep in combinatie met een propere vod of zachte spons

Na het reinigen gewoon laten drogen of met een propere doek afdrogen voor het beste resultaat.

### TIPS BIJ VLEKKEN

Geef vlekken geen kans om in bache te dringen. Dep alles meteen op met een zuivere, zachte doek of spons.

Als er nog vlekken zichtbaar zijn kun je deze best reinigen met lauw water (max. 40°C) en een milde zeep. Gebruik enkel een proper doek of zachte spons! (gebruik nooit de schurende kant van een spons).

Wrijf nooit te hard en gebruik zeker geen abrasieve middelen. Hierdoor kun je de beschermende coating beschadigen waardoor de bache sneller vuil zal opnemen.

Behandel niet alleen de bevuilde plaats, maar ook de bache rondom.

Als er na bovenstaande behandeling nog hardnekkige vlekken zichtbaar zijn, dan kun je deze reinigen met het bijgeleverde MiraClean sponsje. Dep het sponsje in water en wrijf over de vlek. Wrijf ook hier niet te hard en niet te lang, teneinde de beschermlaag niet te beschadigen.

Is de vlek na deze behandeling nog steeds niet volledig verdwenen? Geen paniek. De vlek zal grotendeels vervagen onder invloed zonlicht.

Gebruik zeker nooit oplosmiddelen of detergenten, zoals aceton, ether, benzine, zuivere alcohol of (af) wasmiddelen, producten die sterke zuren of basen bevatten, sterk oxiderende stoffen vb bleekwater, poetsmiddelen met abrasieve bestanddelen.

Vermijd ten allen tijde dat stiften, potloden, pennen of ander schrijfmateriaal in contact komen met de zetel. Deze zijn vaak ontworpen om moeilijk te wassen te zijn, of zelfs onuitwisbaar.

Stop de bache NOOIT in de wasmachine of de droogtrommel.

De bache mag niet gestreken worden.

### SUNBRELLA DEKENTJE + KUSSEN

#### DAGELIJKS ONDERHOUD

Schud of veeg losliggend vuil meteen weg.

Maak een mengsel van 15ml zachte detergent per liter lauw water (max 40°C).

Gebruik een spons of een zachte borstel.

Laat het zeepsop eventjes intrekken.

Spoel grondig om alle zeepresten te verwijderen.

Laat gewoon drogen. Sunbrella droogt vrij snel.

Het is ook mogelijk om de dekentjes en de kussenhoezen te wassen in een wasmachine (max 40°C). Stop de dekentjes of de kussenhoezen nooit in de droogkast.

Kreuken kunnen eventueel met het strijkijzer uitgestreken worden. Zet het strijkijzer hiervoor altijd op de instelling voor synthetische stoffen. Test eerst op een klein onopvallend stuk van de stof alvorens het helemaal te strijken. Gebruik NOOIT stoom.

#### TIPS BIJ VLEKKEN

Maak een mengsel van 60ml bleekmiddel en 15ml zachte detergent per liter lauw water. TIP: bescherm de omgeving waarin u schoonmaakt. Het bleekmiddel kan



immers de kleur van niet Sunbrella stoffen doen verbleken. Bleekmiddel kan een schadelijk effect hebben op milieu en natuur. Daarom raden wij af om bleekmiddel te gebruiken in de buurt van water of natuurlijke omgevingen die beschadigd kunnen worden door het bleekmiddel.

Sproei het zeepsop op het hele stuk Sunbrella en laat dit intrekken gedurende 15 minuten.

Verwijder vlekken met een spons of een zachte borstel.

Spoel grondig om alle resten zeepsop te verwijderen.

Laat gewoon drogen.

In het geval van hardnekkige vlekken of schimmel kan er meer bleekwater aan het mengsel worden toegevoegd worden. Voor meer informatie over onderhoud van Sunbrella stoffen kan u surfen naar [https://trade.sunbrella.com/en\\_us/pdf/cleaning-sunbrella-upholstery-drapery.pdf](https://trade.sunbrella.com/en_us/pdf/cleaning-sunbrella-upholstery-drapery.pdf)

## GLASVEZEL STOKJES

De glasvezel stokken behoeven geen speciaal onderhoud en kunnen met een vochtige doek vuil- en stofvrij gemaakt worden. Om irritatie te voorkomen, de uiteinden van de glasvezelstokken niet aanraken.

## ONDERHOUD VAN BUITENMEUBILAIR

Een buitenomgeving is niet mild voor uw meubilair. Regen, stof, vuil, bomen, dieren, een vochtige omgeving, vervuiling, zeeklimaat,... Al deze elementen zullen een invloed hebben op uw meubilair en hoe het er na verloop van tijd gaat uitzien. Daarnaast bepalen de kleur, textuur en de gebruikte materialen van uw meubilair hoe gevoelig het

is voor stof, vuil en vlekken. Vb. stof en vuil zullen sneller zichtbaar zijn op witte onderdelen. Hoewel wij altijd de beste beschikbare materialen gebruiken, bestaat er tot op vandaag nog geen materiaal dat niet zal verouderen. Daarom raden wij aan om goed zorg te dragen voor uw buitenmeubilair en het af en toe te poetsen, afhankelijk van de omgeving waarin het gebruikt wordt.

## WAARSCHUWINGEN

### WONDERSPONSJE

Gebruik de MiracleClean spons enkel wanneer normaal reinigen met lauw water, zachte zeep en een zachte spons niet voldoende is.

Wanneer er na het reinigen (zie handleiding van het product) nog steeds hardnekkige vlekken zichtbaar zijn, kun je deze eventueel verwijderen met de bijgeleverde sponsjes. Maak het sponsje wat vochtig met gewoon water en wrijf over de te reinigen vlekken. **Wrijf niet te hard** aangezien dit matte vlekken zou kunnen veroorzaken.

**Het gebruik van reinigingsmiddelen is overbodig.** Water volstaat.

De MiraClean is gemaakt van melamine hars en slijt naarmate gebruik. De spons is zeer eenvoudig in gebruik en geeft tot 26x sneller resultaat in vergelijking met een traditionele microvezeldoek.

De spons verwijdert de meest hardnekkige vlekken zonder extra moeite.

**Niet gebruiken op glanzende oppervlakken.**

De MiraClean schuurspons is de oplossing voor het verwijderen van hardnekkig vlekken zoals stiftvlekken, vet, schoenstrepn, kalkvlekken, koffieen theeaanslag.

De MiraClean kan gebruikt worden op zeil, pvc, glas, staal, chroom, aluminium, porselein, kunststofleer, en diverse vloeren, artificial leather and many types of floor.

Voor meer informatie, contacteer Extremis via [info@extremis.be](mailto:info@extremis.be)

## MAGNETEN

Laat geen ijzeren voorwerpen zoals naalden, messen, gereedschappen in de nabijheid van de magneten.

**Personen met een pacemaker moeten niet in contact komen met het magnetisch veld.**

Houd elektrische apparaten en data kaarten weg van het magnetisch veld.

Houd de magneten uit de buurt van open vuur en hitte.

## OVERIGE

Vuil onmiddellijk verwijderen

Kussen en dekentje bij langdurig niet gebruiken binnen bewaren!

## GEPOEDERCOAT FRAME + VOETJES

Reinigen met lauw water en zacht reinigingsmiddel.

## LANGUAGES

### ENGLISH P. 3

contents .....	p. 3
assembly corner seat .....	p. 6
assembly middle seat .....	p. 8
assembly footstool .....	p. 10
assembly connection piece .....	p. 11
maintenance .....	p. 12

### NEDERLANDS P. 15

inhoud .....	p. 15
montage hoekzit .....	p. 18
montage tussenzit .....	p. 20
montage poef .....	p. 22
montage koppelstuk .....	p. 23
onderhoud .....	p. 24

### DEUTSCH P. 27

inhalt .....	p. 27
montage eck-modul .....	p. 30
montage mittel-modul .....	p. 32
montage puf .....	p. 34
montage verbindungsstück .....	p. 35
pflege .....	p. 36

### FRANÇAIS P. 39

contenu .....	p. 39
montage module central .....	p. 42
montage module d'angle .....	p. 44
montage repose-pied .....	p. 46
montage pièce de connexion .....	p. 47
entretien .....	p. 48

### ITALIANO P. 51

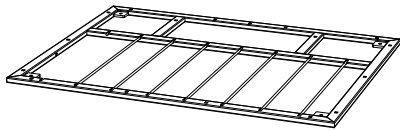
contenuto .....	p. 51
montaggio seduto ad angolo .....	p. 54
montaggio seduto centrale .....	p. 56
montaggio puf .....	p. 58
montaggio elemento di connessione .....	p. 59
manutenzione .....	p. 60

### ESPAÑOL P. 63

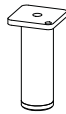
contenido .....	p. 63
montaje asiento esquinero .....	p. 66
montaje asiento medio .....	p. 68
montaje taburete .....	p. 70
montaje pieza de conexión .....	p. 71
mantenimiento .....	p. 72

# INHALT

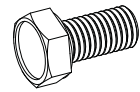
## ECK-MODUL - LINKS, RECHTS P. 42



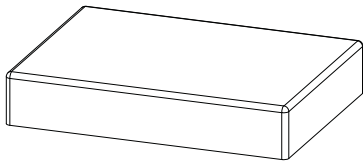
1 x Rahmen



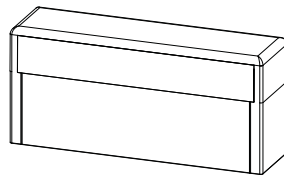
4 x FüÙe



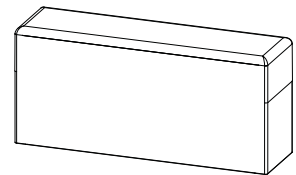
4 x Schrauben M10x20



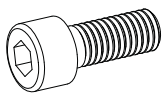
1 x Sitzkissen



1 x Rückenlehne



1 x Armlehne



6 x Schrauben M8x20



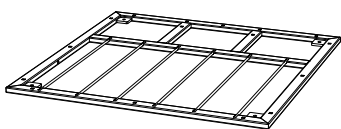
3 x Hutmuttern M8



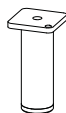
9 x Unterlegscheibe M8

---

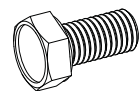
## MITTEL-MODUL P. 44



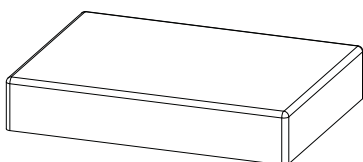
1 x Rahmen



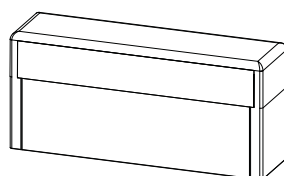
4 x FüÙe



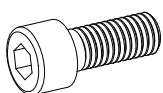
4 x Schrauben M10x20



1 x Sitzkissen



1 x Rückenlehne



3 x Schrauben M8x20



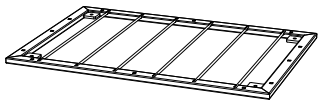
3 x Hutmuttern M8



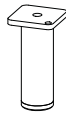
6 x Unterlegscheibe M8

# INHALT

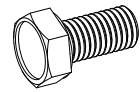
PUF P. 46



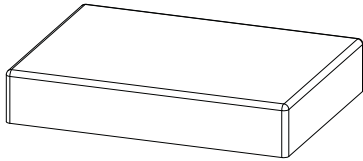
1 x Rahmen



4 x FüÙe



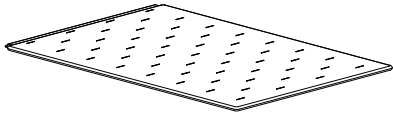
4 x Schrauben M10x20



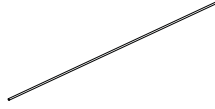
1 x Sitzkissen

## OPTIONAL

### DECKE

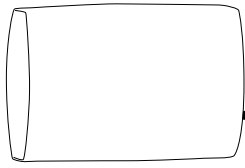


1 x Decke



1 x Glasfaserstab  
(L = 985 mm)

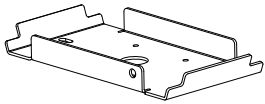
### KISSEN 85 X 55 CM



1 x Kissen

---

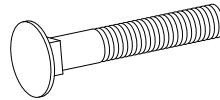
### VERBINDUNGSSTÜCK P. 52



1 x Basis



1 x Oberteil



2 x carriage bolt M8x50



2 x Mutter M8

# MONTAGE ECK-MODUL

## WAS SIE BRAUCHEN



2 Personen



Maulschlüssel Nr. 17

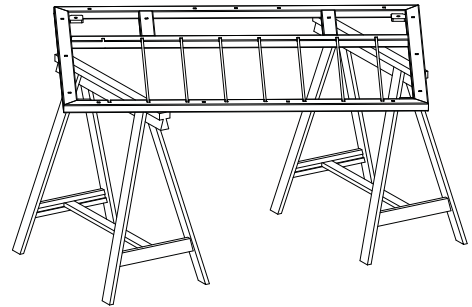


Inbusschlüssel Nr. 5

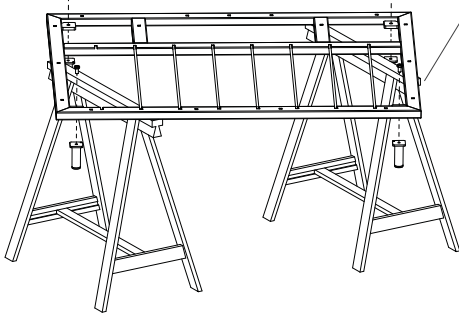
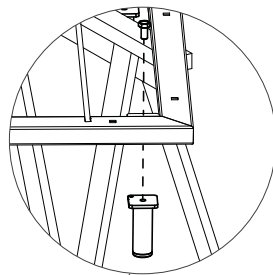


+/- 30 Min.

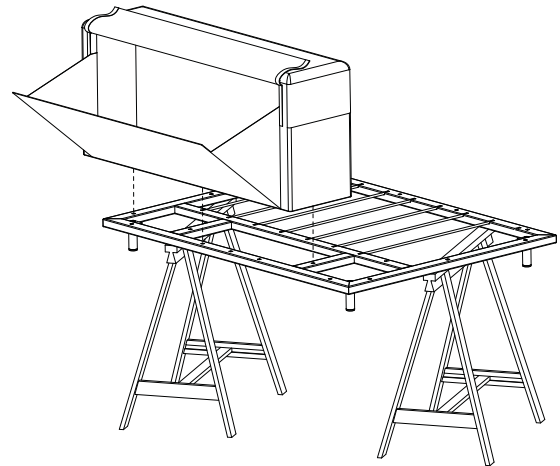
2 bis 4 Böcke



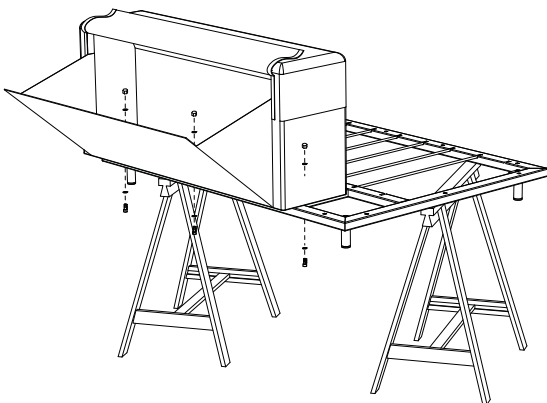
1. Legen Sie den Rahmen auf Böcke. So kommen Sie einfacher an die Unterseite. **ACHTUNG:** Legen Sie den Rahmen mit den Stäben nach oben.



2. Befestigen Sie die 4 FüÙe mit je einer Schraube M10x20 in den Ecken des Rahmens. Ziehen Sie die Schrauben mit einem Nr. 17 Maulschlüssel an.

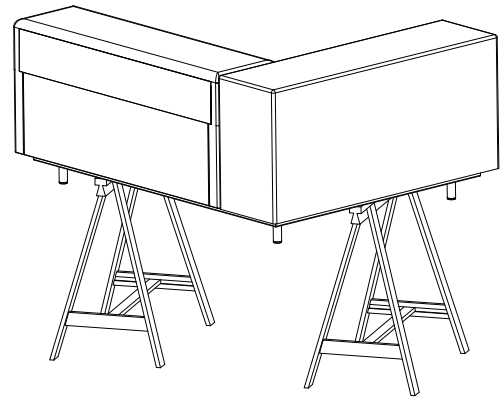
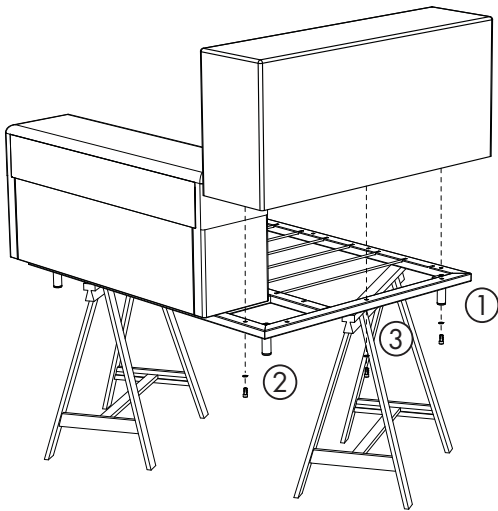


3. Stellen Sie die Rückenlehne auf die Rückseite des Rahmens (die Seite, wo sich keine Stäbe befinden), wobei das Staufach nach außen weisen muss. Achten Sie darauf, dass die Löcher des Rahmens und die Löcher des Staufachs übereinstimmen. **An der Stelle, wo die Armlehne hinkommt, wurde ein Stab im Rahmen weggelassen. Berücksichtigen Sie das bei der Positionierung der Rückenlehne.**



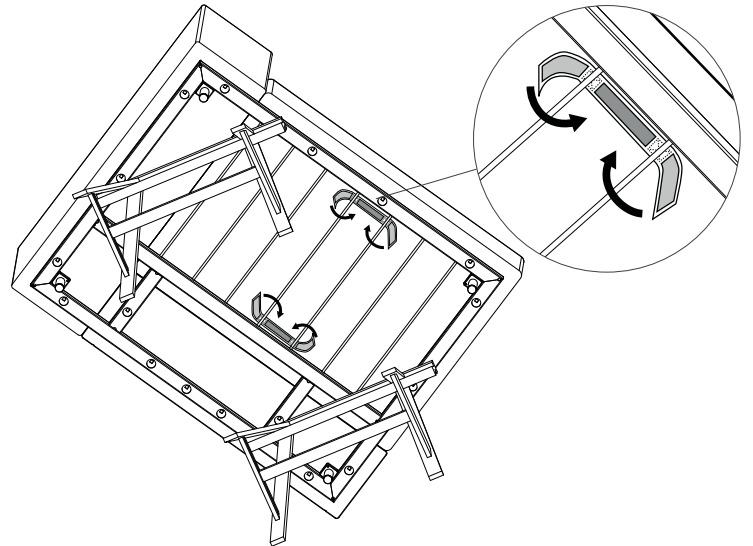
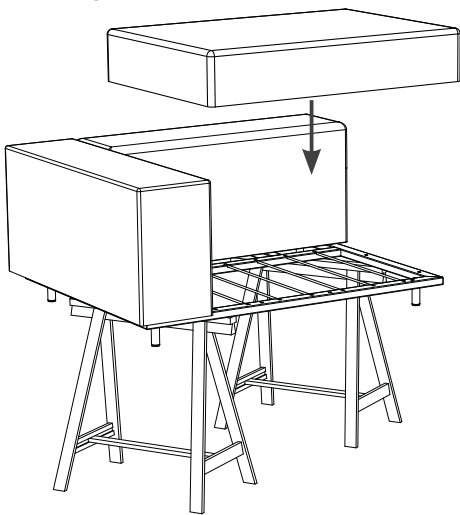
4. Stecken Sie 3 Schrauben M8x20 mit jeweils einem Unterlegscheibe M8 von unten durch den Rahmen, sodass sie im Staufach des Rückenkissens mit je einer Hutmutter M8 befestigt werden können.





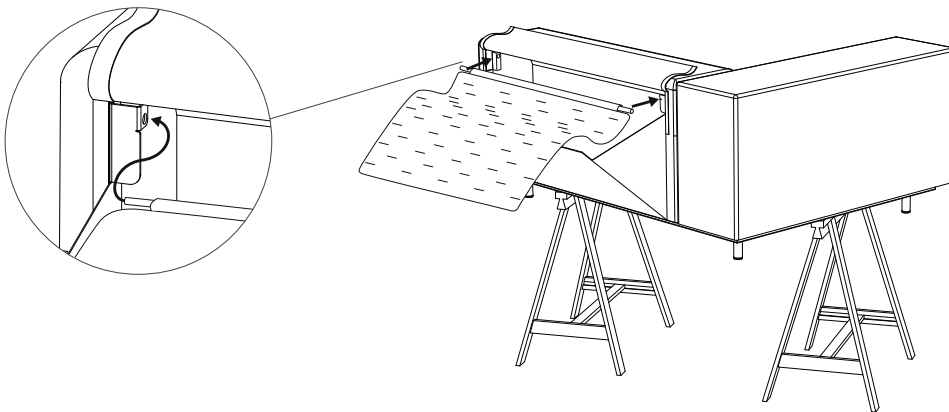
5. Befestigen Sie jetzt jede Armlehne mit 3 Schrauben M8x20 und je einem Unterlegscheibe M8 am Rahmen. **BITTE BEACHTEN:** Sorgen Sie dafür, dass die Löcher übereinstimmen. Ziehen Sie dann alle Schrauben der Armlehnen und der Rückenlehne an. **TIPP:** Ziehen Sie zuerst die Schraube an der Vorderseite ① an, dann die an der Rückseite ② und erst dann die in der Mitte ③ .

**Wenn Sie die Module mit einem Verbindungsstück aneinander koppeln wollen, machen Sie das am besten, bevor Sie das Sitzkissen auf dem Rahmen befestigen. Anweisungen für das Aneinanderkoppeln mit dem Verbindungsstück finden Sie auf Seite 35.**



6. Legen Sie jetzt das Sitzkissen auf den Rahmen und befestigen Sie es mithilfe der Klettbänder um die zwei mittleren Stäbe.

### OPTIONAL

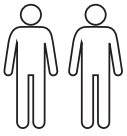


1. Öffnen Sie erst die Abdeckung der Rückenlehne. Befestigen Sie die Decke mithilfe des beiliegenden Glasfaserstabs (L = 985 mm) an der Rückenlehne.

2. Drapieren Sie die Decke über das Sofa und legen Sie das Kissen dazu.

# MONTAGE MITTEL-MODUL

## WAS SIE BRAUCHEN



2 Personen



Maulschlüssel Nr. 17

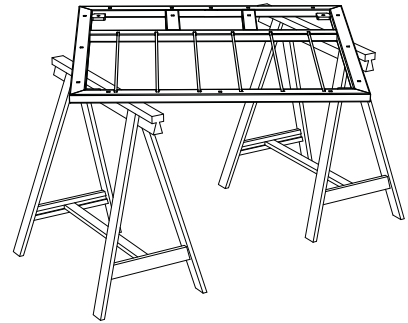


Inbusschlüssel Nr. 5

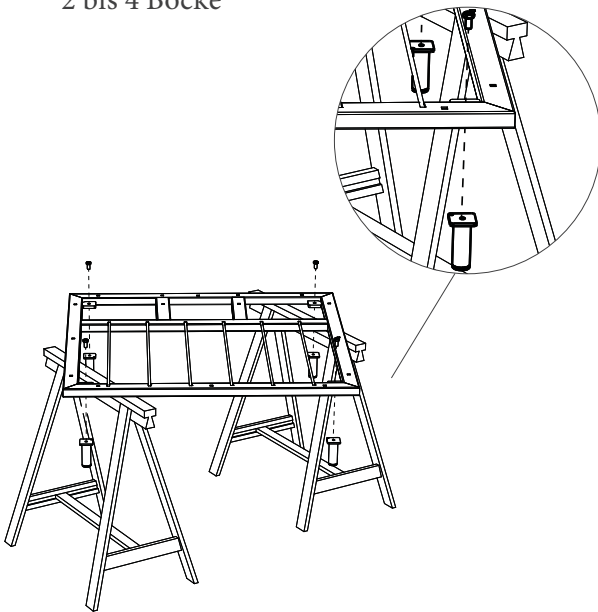


+/- 20 Min.

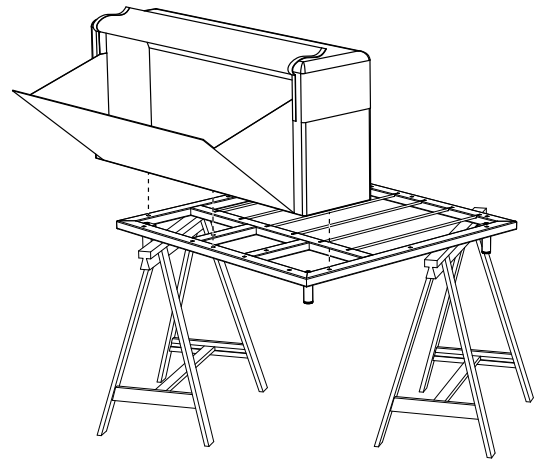
2 bis 4 Böcke



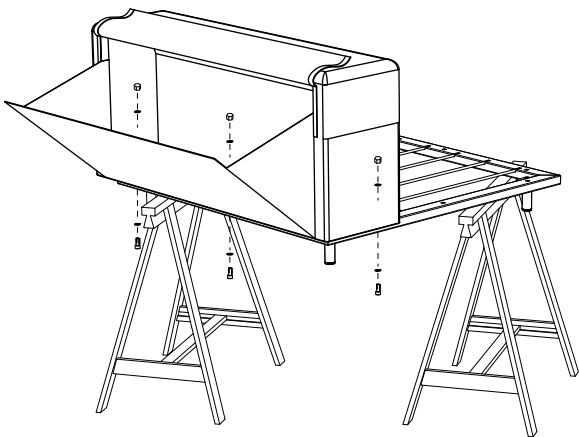
1. Legen Sie den Rahmen auf Böcke. So kommen Sie einfacher an die Unterseite. **ACHTUNG:** Legen Sie den Rahmen mit den Stäben nach oben.



2. Befestigen Sie die 4 Füße mit je einer Schraube M10x20 in den Ecken des Rahmens. Ziehen Sie die Schrauben mit einem Nr. 17 Maulschlüssel an.



3. Stellen Sie die Rückenlehne auf die Rückseite des Rahmens (die Seite, wo sich keine Stäbe befinden), wobei das Staufach nach außen weisen muss. Achten Sie darauf, dass die Löcher des Rahmens und die Löcher des Staufachs übereinstimmen.

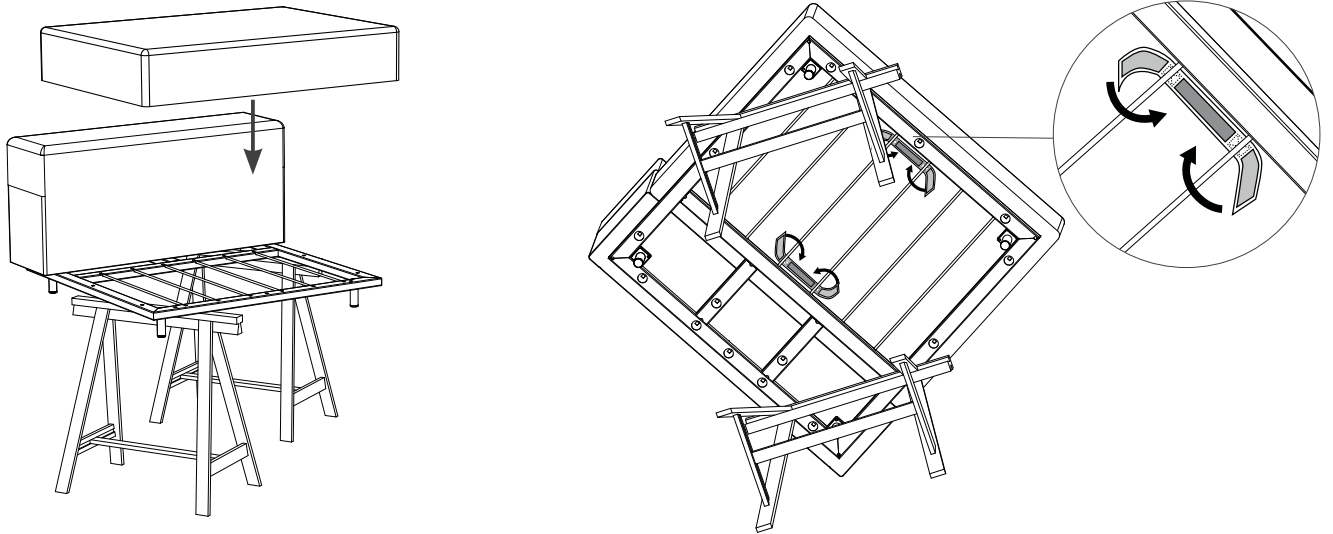


4. Stecken Sie 3 Schrauben M8x20 mit jeweils einem Unterlegscheibe M8 von unten durch den Rahmen, sodass sie im Staufach des Rückenkissens mit je einer Hutmutter M8 befestigt werden können.



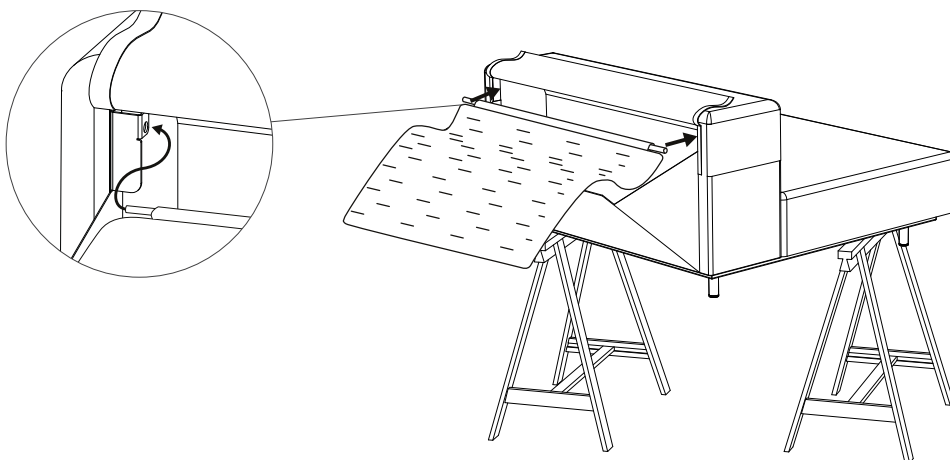


Wenn Sie die Module mit einem Verbindungsstück aneinander koppeln wollen, machen Sie das am besten, bevor Sie das Sitzkissen auf dem Rahmen befestigen. Anweisungen für das Aneinanderkoppeln mit dem Verbindungsstück finden Sie auf Seite 35.



5. Legen Sie jetzt das Sitzkissen auf den Rahmen und befestigen Sie es mithilfe der Klettbänder um die zwei mittleren Stäbe.

## OPTIONAL



1. Öffnen Sie erst die Abdeckung der Rückenlehne. Befestigen Sie die Decke mithilfe des beiliegenden Glasfaserstabs (L = 985 mm) an der Rückenlehne.

2. Drapieren Sie die Decke über das Sofa und legen Sie das Kissen dazu.

# MONTAGE PUF

## WAS SIE BRAUCHEN



2 Personen

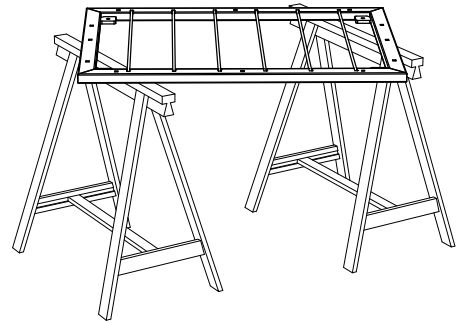


Maulschlüssel Nr. 17

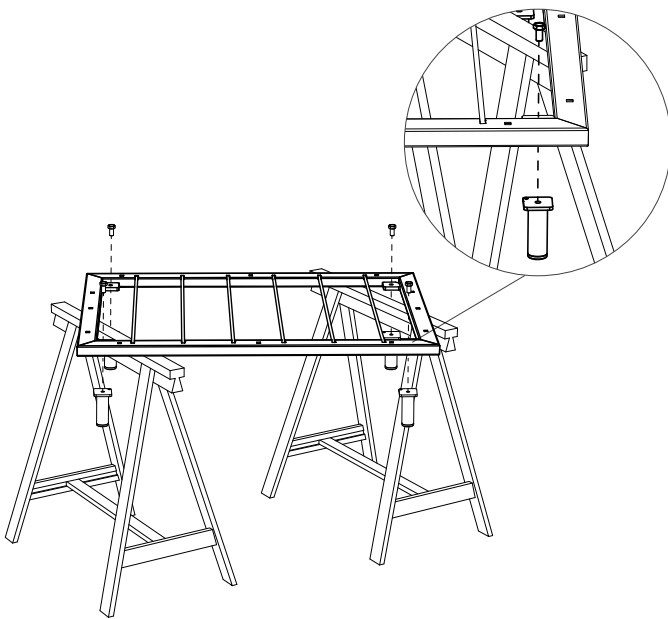


+/- 15 Min.

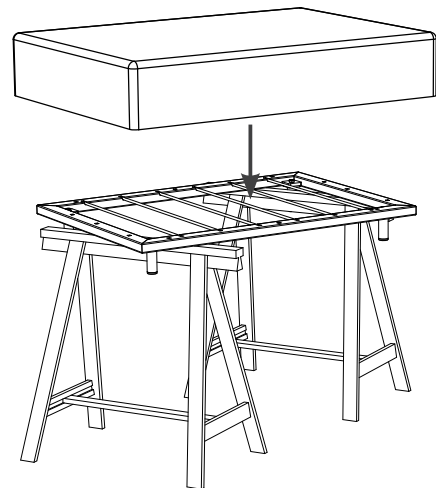
2 bis 4 Böcke



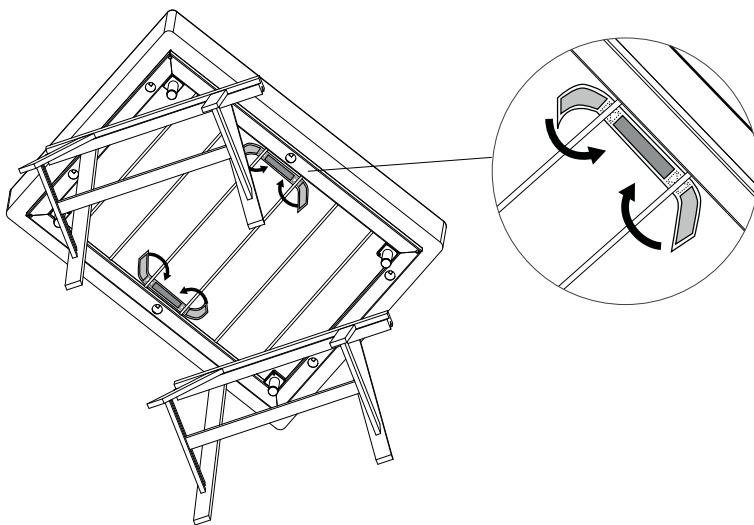
1. Legen Sie den Rahmen auf Böcke. So kommen Sie einfacher an die Unterseite. **ACHTUNG:** Legen Sie den Rahmen mit den Stäben nach oben.



2. Befestigen Sie die 4 Füße mit je einer Schraube M10x20 in den Ecken des Rahmens. Ziehen Sie die Schrauben mit einem Nr. 17 Maulschlüssel an.



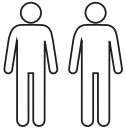
3. Legen Sie jetzt das Sitzkissen auf den Rahmen.



4. Befestigen Sie es mithilfe der Klettbänder um die zwei mittleren Stäbe.

# MONTAGE VERBINDUNGSSTÜCK

## WAS SIE BRAUCHEN



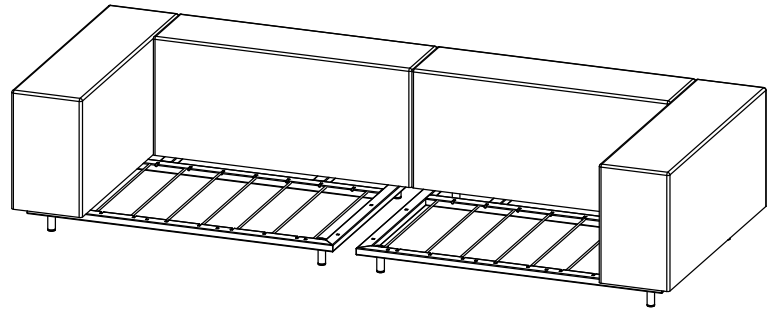
2 Personen



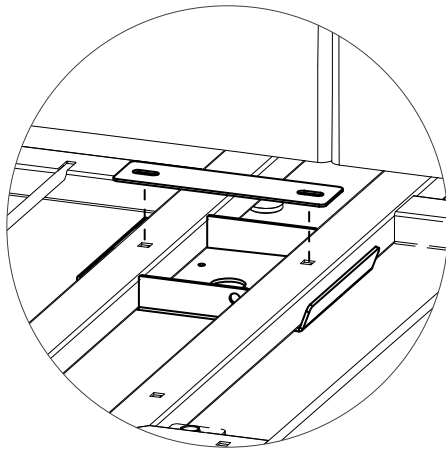
Maulschlüssel Nr. 17



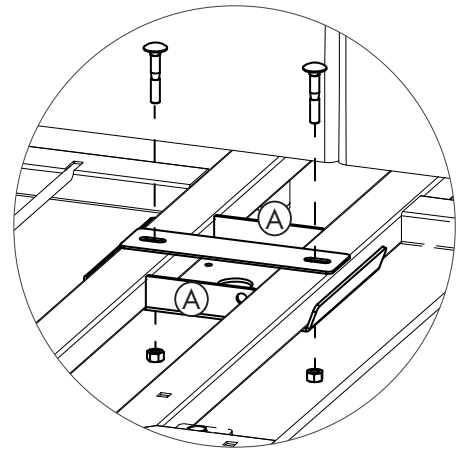
+/- 15 min.



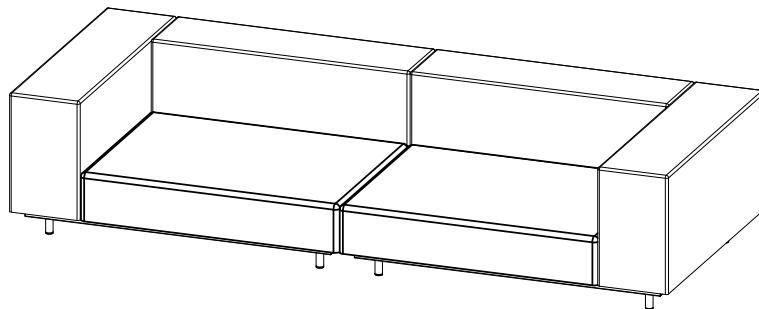
1. Stellen Sie die Module in der richtigen Position an der Stelle auf, wo Sie das Sofa letztlich auch nutzen wollen. Stellen Sie die Module nebeneinander und richten Sie sie so gut wie möglich gerade aneinander aus.



2. Halten Sie die Basis des Verbindungsstücks dorthin, wo die Löcher für die Befestigung des Verbindungsstücks vorgesehen sind, von unten zwischen die Rahmen. Legen Sie das Oberteil des Verbindungsstücks dorthin, wo die Löcher für die Befestigung des Verbindungsstücks vorgesehen sind, auf die Rahmen.



3. Befestigen Sie Basis und Oberteil mithilfe der Schlossschrauben und der Muttern. Werden die Muttern angezogen, werden die beiden Module aufeinander zu gezogen. Ziehen Sie die Muttern an, bis die Rahmen ganz an die nach oben stehenden Rippen **(A)** der Basis gezogen sind.



4. Legen Sie die Sitzkissen auf die Rahmen und befestigen Sie sie mit den Klettbindern rund um die Glasfaserstäbe (wie auf Seite. 31 bei Schritt 6 gezeigt).

## PFLEGE

### VERZINKTER STAHL

Verzinkung ist die haltbarste Methode, um Metall vor Rostbildung zu schützen. Wenn die Zinkschicht beschädigt wird, kann das blanke Metall darunter trotzdem rosten. Das lässt sich einfach mit Zinkfarbe verhindern, die automatisch dieselbe Farbe hat und im Handel erhältlich ist.

Verzinkung ist ein thermischer Prozess und kann das Material leicht verformen. Andere Metallschutzmaßnahmen haben diesen Nachteil nicht, ihre Qualität ist jedoch unzureichend.

### REINIGUNG DES PLANENMATERIALS

Ihr Walrus-Sitzmöbel benötigt wenig Pflege. Alle verwendeten Stoffe besitzen nämlich eine schmutzabweisende Beschichtung. Diese Beschichtung sorgt dafür, dass Schmutz weniger schnell ins Material eindringt, verhindert aber nicht, dass der Sessel einstaubt, verschmutzt oder Flecken bekommt. Ebenso wie alle anderen Outdoor-Möbel erfordert auch dieser Sessel ein Mindestmaß an Pflege. Dabei ist es sehr wichtig, dass Sie sich sorgfältig an die Pflegevorschriften von Extremis halten. Andere Methoden oder Produkte können den Stoffen und ihrer schmutzabweisenden Beschichtung irreparablen Schaden zufügen. Unter dem Motto „Vorbeugen ist besser als heilen“ sorgen einige vorbeugende Maßnahmen dafür, dass Ihr Sofa sehr lange in einem hervorragenden Zustand bleibt. Ebenso wie bei jedem anderen Material wird sich bei den Materialien des Walrus-Sofas nach einiger Zeit eine Patina bilden. Diese Patina beeinträchtigt die Qualität des Materials nicht.

#### TÄGLICHE REINIGUNG

Um Flecken so gut wie möglich zu vermeiden, raten wir Ihnen, das Sofa

regelmäßig mit lauwarmem Wasser (40 °C) und einer milden Seife in Kombination mit einem sauberen Lappen oder weichen Schwamm zu reinigen.

Nach dem Reinigen einfach trocknen lassen oder für ein optimales Ergebnis mit einem sauberen Tuch trocknen.

#### TIPS BEI FLECKEN

Geben Sie Flecken keine Chance, in die Plane einzudringen. Tupfen Sie alles sofort mit einem sauberen weichen Tuch oder Schwamm ab.

Falls noch Flecken sichtbar sind, können Sie sie am besten mit lauwarmem Wasser (höchstens 40 °C) und einer milden Seife reinigen. Verwenden Sie nur ein sauberes Tuch oder einen weichen Schwamm (niemals die scheuernde Seite eines Schwamms verwenden)!

Niemals zu fest reiben und keinesfalls scheuernde Mittel einsetzen. Die können die schützende Beschichtung beschädigen, wodurch die Plane schneller Schmutz aufnimmt.

Behandeln Sie niemals nur die verschmutzte Stelle, sondern auch die Plane rund um sie herum.

Wenn nach obiger Behandlung noch hartnäckige Flecken sichtbar sind, können Sie sie mit dem mitgelieferten MiraClean-Schwamm entfernen. Tauchen Sie den Schwamm in Wasser und reiben Sie über den Fleck. Reiben Sie auch hier nicht zu fest und zu lange, um die schützende Beschichtung nicht zu beschädigen.

Ist der Fleck nach dieser Behandlung noch immer nicht vollständig verschwunden? Keine Panik! Der Fleck wird unter dem Einfluss von Sonnenlicht zum größten Teil ausbleichen.

Verwenden Sie keinesfalls Lösungsmittel oder Reinigungsmittel wie Aceton, Äther, Benzin, reinen Alkohol, Spül- oder Waschmittel, Produkte die starke Säuren oder Laugen enthalten, stark oxidierende Stoffe, z. B. Bleichwasser, Putzmittel mit scheuernden Bestandteilen.

Vermeiden Sie immer, dass Stifte, Kugelschreiber, Füller oder andere Schreibgeräte in Kontakt mit dem Sessel kommen. Die sind häufig dafür gemacht, schwer oder selbst gar nicht entfernbar zu sein.

Stecken Sie die Plane NIEMALS in die Waschmaschine oder den Wäschetrockner.

Die Plane darf nicht gebügelt werden.

### REINIGUNG DES SUNBRELLA-STOFFS

#### TÄGLICHE REINIGUNG

Schütteln oder wischen Sie losen Schmutz ab.

Bereiten Sie eine Reinigungslösung aus 4 Litern lauwarmem Wasser und 4 EL eines flüssigen Feinwaschmittels oder eines milden Geschirrspülmittels zu.

Verwenden Sie einen Schwamm oder eine Bürste mit weichen Borsten zum Reinigen.

Lassen Sie die Reinigungslösung in den Stoff einziehen.

Spülen Sie den Stoff gründlich ab, um alle Reinigungsmittelreste zu entfernen.

Lassen Sie den Stoff an der Luft trocknen. Sunbrella trocknet im Freien sehr schnell. Ein Trocknen im Wäschetrockner ist nicht erforderlich.

Es ist ebenfalls möglich, die Decken und die Kissenüberzüge in die Waschmaschine zu stecken (höchstens 40 °C). Nicht zur Trockenreinigung geben und nicht in einen Wäschetrockner strecken.

Wenn der Stoff ein paar Falten hat, verwenden Sie ein Bügeleisen, aber nur eingestellt auf die Synthetikstufe. Da die Synthetikstufe mancher Bügeleisen die empfohlene Temperatur überschreitet, sollten Sie erst an einer nicht sichtbaren Stelle einen Versuch machen, bevor Sie das gesamte Teil bügeln. Verwenden Sie

KEINEN Dampfgerät und KEIN auf die Dampfstufe eingestelltes Bügeleisen.

#### TIPS BEI FLECKEN

Bereiten Sie eine Lösung aus 4 Litern sauberem Wasser, 240 ml Bleichmittel und 4 EL Feinwaschmittel zu. TIPP: Decken Sie den Bereich rund um Ihren Sunbrella-Stoff ab, wenn Sie eine Bleichlösung verwenden. Das Bleichmittel könnte Nicht-Sunbrella-Stoffe entfärben. Spülen Sie den Sunbrella immer gründlich, um das Bleichmittel vollständig zu entfernen. Bitte achten Sie beim Reinigen mit Bleichmittel auf die Umwelt. Bleichmittel kann schädlich für das Sie umgebende natürliche Umfeld sein. Wir raten von der Verwendung von Bleichmittel ab, wenn Sie von einem Gewässer oder einem anderen Umfeld umgeben sind, das beeinträchtigt werden könnte.

Besprühen Sie den gesamten Bereich und lassen Sie es 15 Minuten lang in den Stoff einwirken.

Entfernen Sie Flecken mit einem Schwamm, sauberen Handtuch oder einer Bürste mit sehr weichen Borsten.

Spülen Sie den Stoff gründlich ab, um alle Reinigungsmittelreste zu entfernen.

Lassen Sie den Stoff an der Luft trocknen.

Wenn die Flecken und/oder der Schimmelbefall stark sind, kann die Menge des Bleichmittels erhöht werden. Siehe [https://trade.sunbrella.com/en\\_us/pdf/cleaning-sunbrella-upholstery-drapery.pdf](https://trade.sunbrella.com/en_us/pdf/cleaning-sunbrella-upholstery-drapery.pdf) für ausführlichere Anweisungen von Sunbrella.

#### GLASFASER STÄBE

Die Glasfaser Stäbe bedürfen keiner besonderen Pflege und vor Staub und Schmutz mit einem feuchten Tuch erfolgen. Um Reizungen zu vermeiden, nicht die Enden der Stäbe berühren.

#### SO PFLEGEN SIE IHR OUTDOOR-MÖBEL

Der Außenbereich ist kein besonders möbelfreundliches Umfeld. Regen, Staub, Bäume, Tiere, Feuchtigkeit, Verschmutzung, Seeklima – alle diese Faktoren beeinflussen auch das saubere Aussehen von Möbeln im Freien. Bedenken Sie bitte auch, dass je nach Farbe, Textur und verwendetem Material Regen, Staub und Schmutz mehr oder weniger sichtbar sein werden. So ist zum Beispiel Weiß eine empfindlichere Farbe.

Ogleich wir die besten Materialien auf dem Markt verwenden, gibt es kein Material, das im Laufe der Zeit nicht altert. Deshalb empfehlen wir, Ihr Outdoor-Möbel gut zu pflegen und es – entsprechend seinen Einsatzbedingungen – gelegentlich zu reinigen

#### WARNHINWEISE

##### WUNDERSCHWAMM

Den Miraclean Wunderschwamm nur benutzen, wenn säubern mit lauwarmem wasser, milder seife und einem normalen schwamm nicht reicht.

Wenn hartnäckige Flecken sichtbar bleiben nach Behandlung (siehe Gebrauchsanweisung des Produktes), können Sie den mitgelieferten Wunderschwamm benutzen. Tauchen Sie den Schwamm in Wasser und reiben Sie über den Fleck. **Reiben Sie nicht zu hart** mit diesem Schwamm um matte Flecken zu vermeiden.

**Sie brauchen kein andere Reinigungsmittel.** Wasser allein reicht.

Dieser Schwamm ist aus Melaminharz gefertigt und nutzt ab nach Verwendung. Der Schwamm ist sehr einfach zu verwenden und gibt bis 26 Mal schneller Erfolg als mit einem traditionellen Mikrofasertuch.

Der Wunderschwamm säubert die meisten hartnäckigen Flecken ohne extra Mühe.

**Den Schwamm nie auf Oberflächen in Hochglanz verwenden um matte Flecken zu vermeiden.**

Der Wunderschwamm ist die Lösung gegen hartnäckige Flecken wie Filzstifte, Fett, Abriebspuren, Kalkflecken oder Kaffee und Tee Flecken. Den Schwamm kann benutzt werden auf Plane, Kunststoffprofile, Glass, Stahl, Chrom, Aluminium, Porzellan, Kunstleder und viele Arten von Boden.

Für weitere Informationen, wenden Sie sich Extremis: [info@extremis.be](mailto:info@extremis.be)

#### MAGNETEN

Lassen Sie keine Gegenstände aus Eisen wie Nadeln, Messer, Geräte in die Nähe der Magneten kommen.

**Personen mit einem Herzschrittmacher dürfen sich nicht in die Nähe des Magnetfelds begeben.**

Bringen Sie Elektrogeräte und Datenkarten nicht in die Nähe des Magnetfelds.

Halten Sie die Magneten von offenem Feuer und Hitze entfernt.

#### ANDERE

Verschmutzungen sofort entfernen

Kissen und Decken im Haus aufbewahren, wenn das Möbel längere Zeit nicht genutzt wird!

#### PULVERBESCHÜTTET RAHMEN + FÜSSE

Mit lauwarmem Wasser und einem milden Reinigungsmittel reinigen.

## LANGUAGES

### ENGLISH P. 3

contents .....	p. 3
assembly corner seat .....	p. 6
assembly middle seat .....	p. 8
assembly footstool .....	p. 10
assembly connection piece .....	p. 11
maintenance .....	p. 12

### NEDERLANDS P. 15

inhoud .....	p. 15
montage hoekzit .....	p. 18
montage tussenzit .....	p. 20
montage poef .....	p. 22
montage koppelstuk .....	p. 23
onderhoud .....	p. 24

### DEUTSCH P. 27

inhalt .....	p. 27
montage eck-modul .....	p. 30
montage mittel-modul .....	p. 32
montage puf .....	p. 34
montage verbindungsstück .....	p. 35
pflege .....	p. 36

### FRANÇAIS P. 39

contenu .....	p. 39
montage module central .....	p. 42
montage module d'angle .....	p. 44
montage repose-pied .....	p. 46
montage pièce de connexion .....	p. 47
entretien .....	p. 48

### ITALIANO P. 51

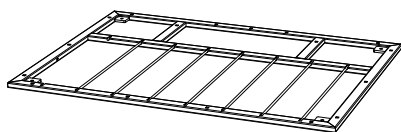
contenuto .....	p. 51
montaggio seduto ad angolo .....	p. 54
montaggio seduto centrale .....	p. 56
montaggio puf .....	p. 58
montaggio elemento di connessione .....	p. 59
manutenzione .....	p. 60

### ESPAÑOL P. 63

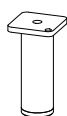
contenido .....	p. 63
montaje asiento esquinero .....	p. 66
montaje asiento medio .....	p. 68
montaje taburete .....	p. 70
montaje pieza de conexión .....	p. 71
mantenimiento .....	p. 72

## CONTENU

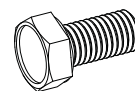
### MODULE D'ANGLE - GAUCHE, DROITE P. 42



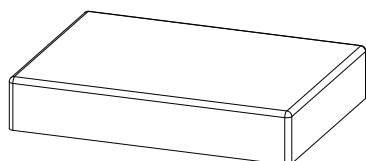
1 x cadre



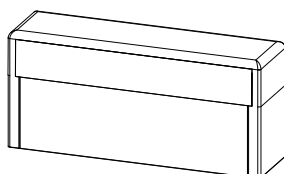
4 x pied



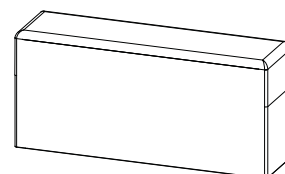
4 x boulon M10x20



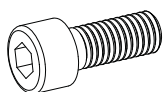
1 x coussin d'assise



1 x coussin dorsal



1 x coussin accoudoir



6 x boulon M8x20



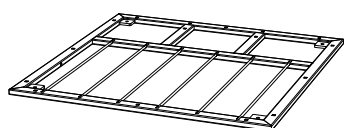
3 x écrou borgne M8



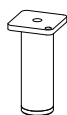
9 x rondelle M8

---

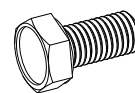
### MODULE CENTRAL P. 44



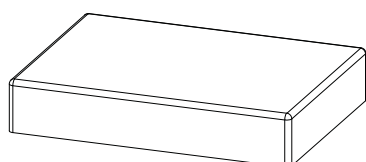
1 x cadre



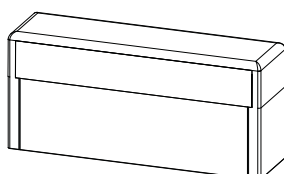
4 x pied



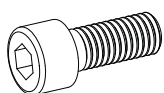
4 x boulon M10x20



1 x coussin d'assise



1 x coussin dorsal



3 x boulon M8x20



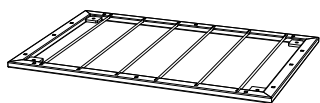
3 x écrou borgne M8



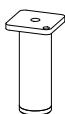
6 x rondelle M8

## CONTENU

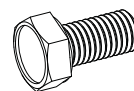
REPOSE-PIED P. 46



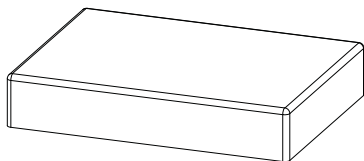
1 x cadre



4 x pied



4 x boulon M10x20

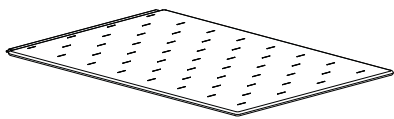


1 x coussin d'assise

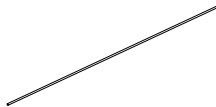


## OPTION

### COUVERTURE

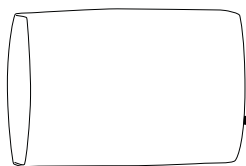


1 x couverture



1 x baguette en fibre de verre  
(L = 985 mm)

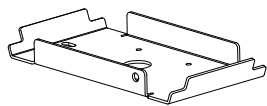
### COUSSIN 85 X 55 CM



1 x coussin

---

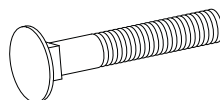
### PIÈCE DE CONNEXION P. 47



1 x pièce de connexion



1 x plaque supérieure



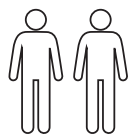
2 x vis à tête bombée  
M8x50



2 x écrou M8

# MONTAGE MODULE D'ANGLE

## OUTILS



2 personnes



clé plate n° 17

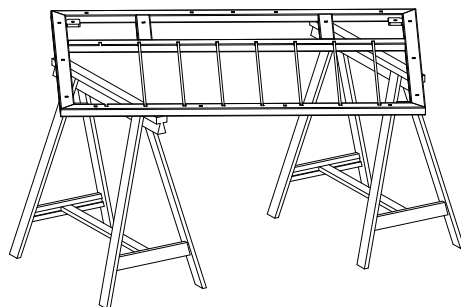


clé Allen n° 5

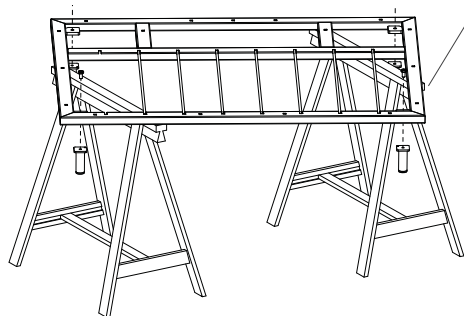
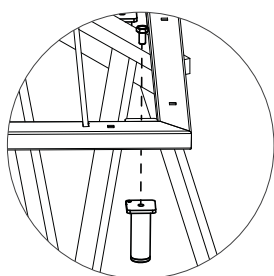


+/- 30 min.

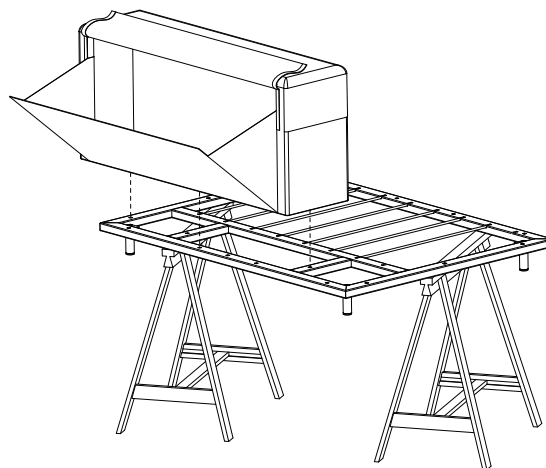
2 à 4 tréteaux



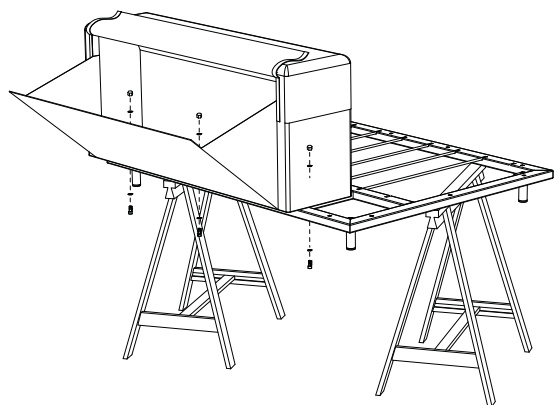
1. Déposez le cadre sur des tréteaux (vous aurez ainsi plus facilement accès au dessous). **ATTENTION:** déposez le cadre avec les baguettes orientées vers le haut.



2. Fixez les 4 pieds aux coins du cadre avec les boulons M10x20. Serrez les boulons au moyen d'une clé plate n° 17.

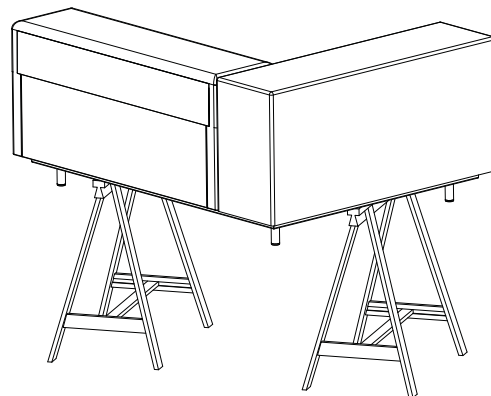
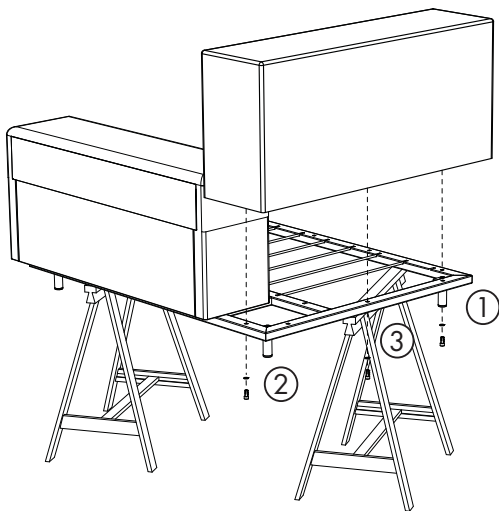


3. Posez le coussin dorsal à l'arrière du cadre (à l'endroit où il n'y a pas de baguettes), avec l'ouverture du compartiment de rangement vers l'extérieur. Veillez à ce que les trous dans le cadre et les trous dans le compartiment correspondent. **Il n'y a pas de baguette à l'endroit dans le cadre où vient se placer l'accoudoir. Veuillez en tenir compte pour le positionnement du coussin dorsal.**



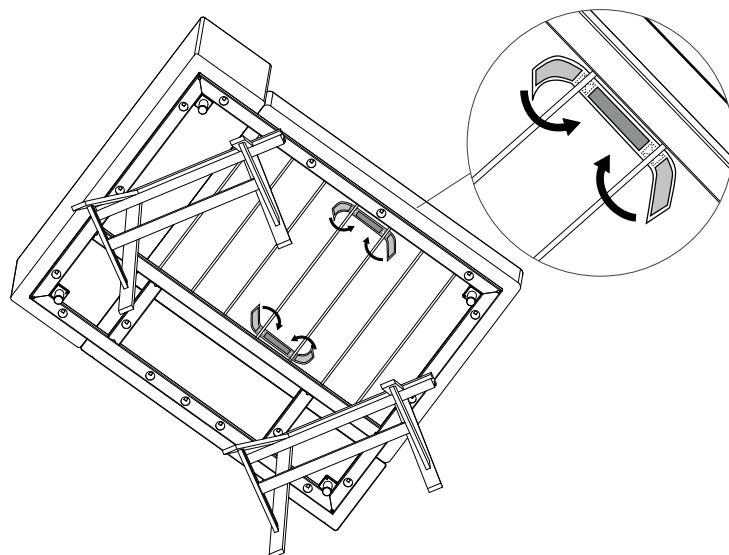
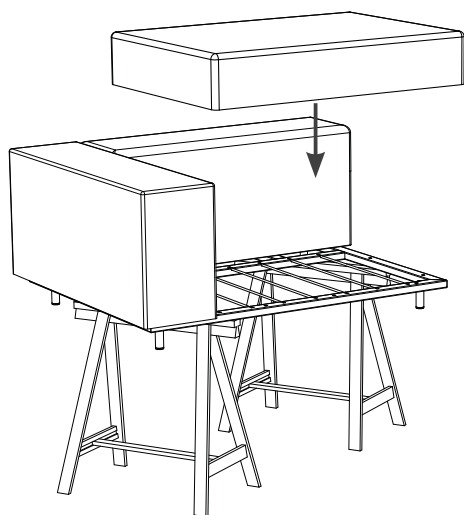
4. Introduisez les 3 boulons M8x20, chaque fois avec une rondelle M8, par le dessous du cadre, de manière à ce qu'ils ressortent dans le compartiment de rangement, et fixez chacun avec un écrou borgne M8.





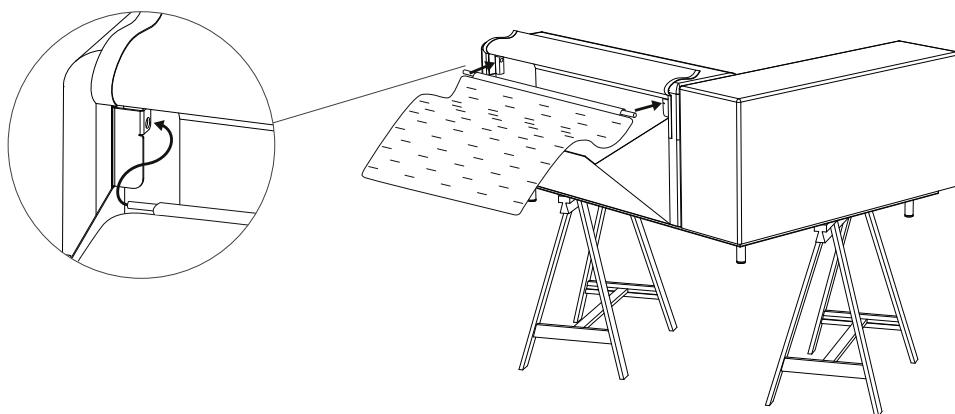
5. Fixez à présent chaque coussin accoudoir au cadre au moyen de 3 boulons M8x20 avec chaque fois une rondelle M8. **ATTENTION** : veillez à ce que les trous correspondent. Serrez à présent tous les boulons du coussin dorsal et des accoudoirs. **CONSEIL** : commencez par serrer le boulon à l'avant ① , ensuite le boulon à l'arrière ② et pour terminer seulement celui du milieu ③ .

Si vous souhaitez attacher les modules les uns aux autres au moyen de la pièce de connexion, il est préférable de le faire avant de fixer le coussin d'assise au cadre. Les instructions pour l'utilisation de la pièce de connexion se trouvent en p. 47.



6. Posez à présent le coussin d'assise sur la base et fixez-le en passant les velcros autour des 2 baguettes centrales.

## OPTION

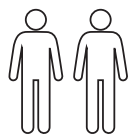


1. Ouvrez d'abord le clapet du coussin dorsal. Fixez la couverture à l'intérieur du coussin au moyen de la baguette en fibre de verre fournie (L = 985 mm).

2. Drapez la couverture par-dessus le canapé, puis installez le coussin.

## MONTAGE MODULE CENTRAL

### OUTILS



2 personnes



clé plate n° 17

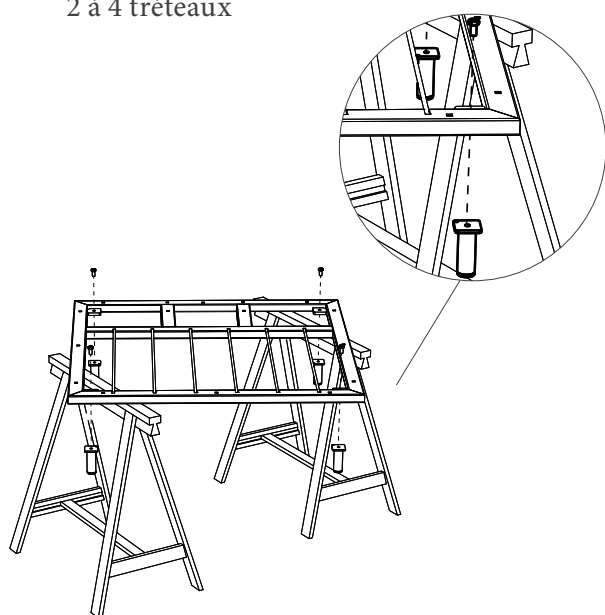


clé Allen n° 5

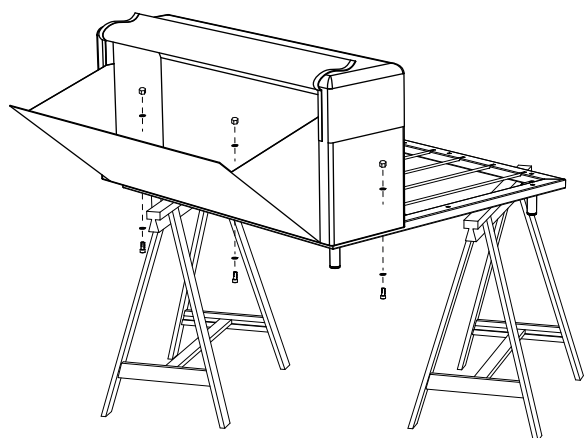


+/- 20 min.

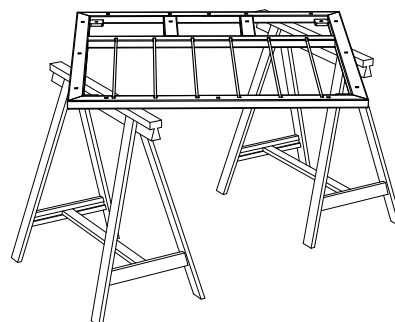
2 à 4 tréteaux



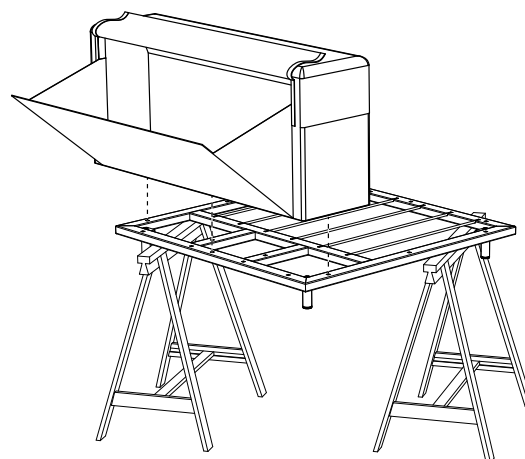
2. Fixez les 4 pieds aux coins du cadre avec les boulons M10x20. Serrez les boulons au moyen d'une clé plate n° 17.



4. Introduisez les 3 boulons M8x20, chaque fois avec une rondelle M8, par le dessous du cadre, de manière à ce qu'ils ressortent dans le compartiment de rangement, et fixez chacun avec un écrou borgne M8.



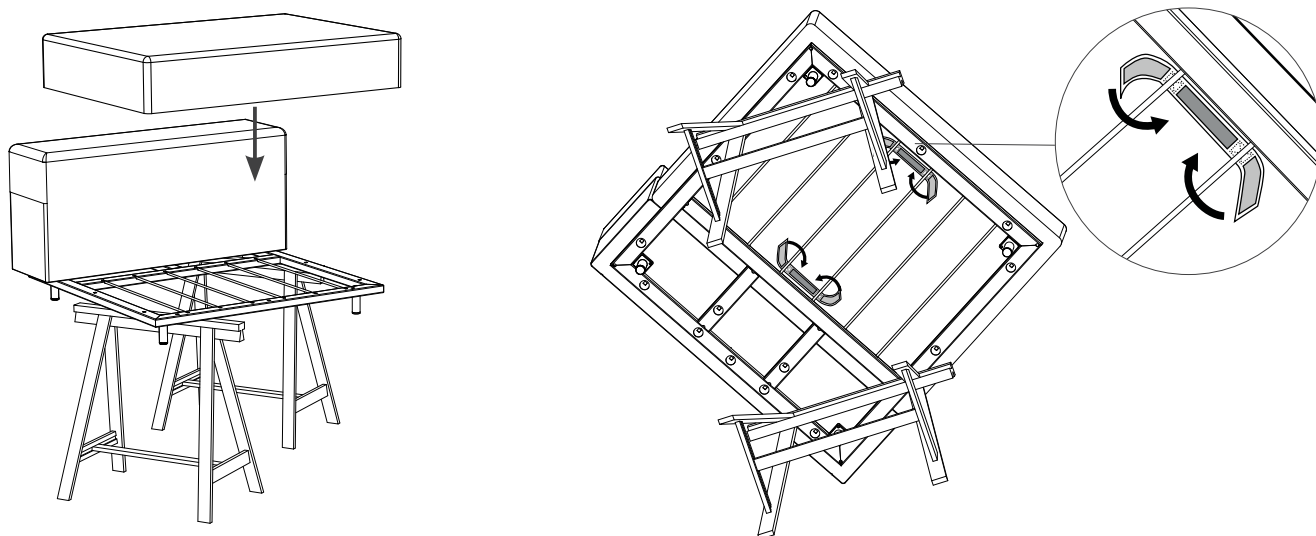
1. Déposez le cadre sur des tréteaux (vous aurez ainsi plus facilement accès au dessous). **ATTENTION:** déposez le cadre avec les baguettes orientées vers le haut.



3. Posez le coussin dorsal à l'arrière du cadre (à l'endroit où il n'y a pas de baguettes), avec l'ouverture du compartiment de rangement vers l'extérieur. Veillez à ce que les trous dans le cadre et les trous dans le compartiment correspondent.

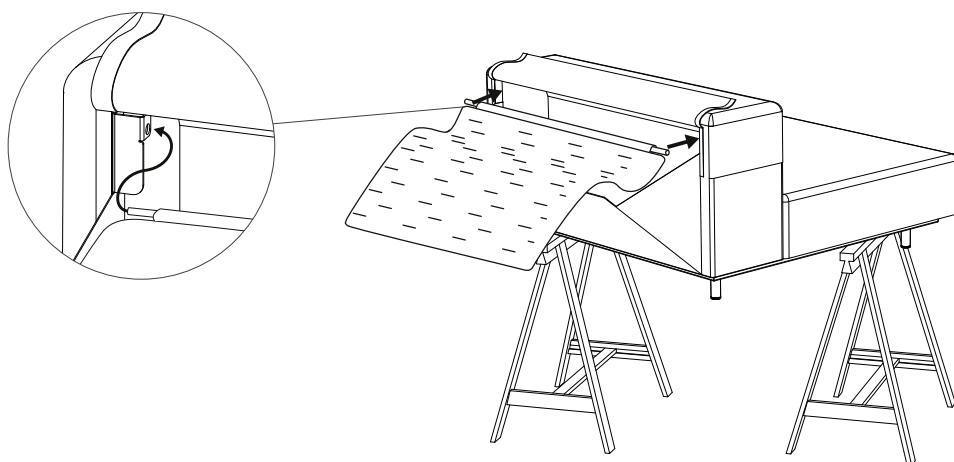


Si vous souhaitez attacher les modules les uns aux autres au moyen de la pièce de connexion, il est préférable de le faire avant de fixer le coussin d'assise au cadre. Les instructions pour l'utilisation de la pièce de connexion se trouvent en p. 47.



5. Posez à présent le coussin d'assise sur la base et fixez-le en passant les velcros autour des 2 baguettes centrales.

### OPTION



1. Ouvrez d'abord le clapet du coussin dorsal. Fixez la couverture à l'intérieur du coussin au moyen de la baguette en fibre de verre fournie (L = 985 mm).

2. Drapez la couverture par-dessus le canapé, puis installez le coussin.

# MONTAGE REPOSE-PIED

## OUTILS



1 personne

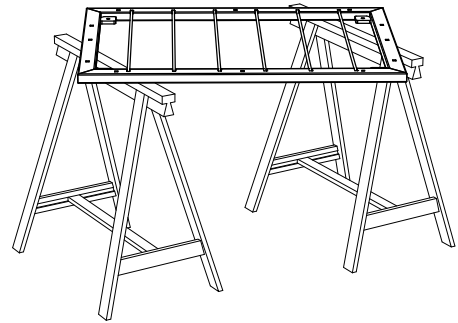


clé plate n° 17

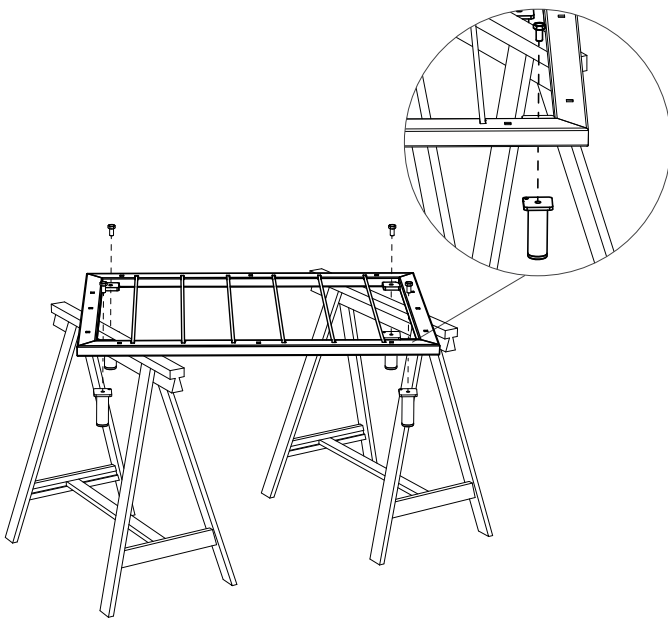


+/- 15 min.

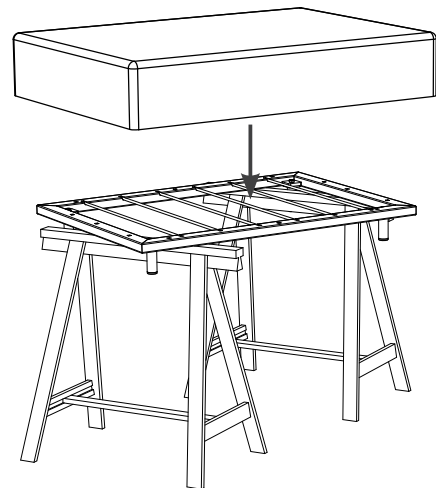
2 à 4 tréteaux



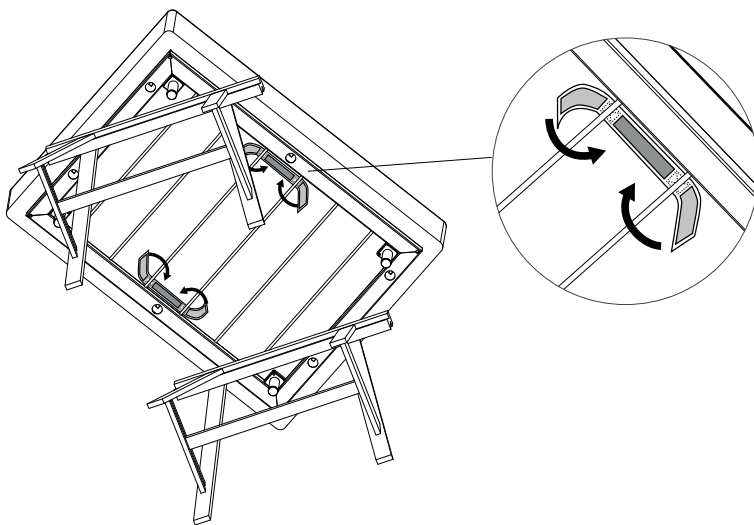
1. Déposez le cadre sur des tréteaux (vous aurez ainsi plus facilement accès au dessous). **ATTENTION:** déposez le cadre avec les baguettes orientées vers le haut.



2. Fixez les 4 pieds aux coins du cadre avec les boulons M10x20. Serrez les boulons au moyen d'une clé plate n° 17.



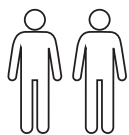
3. Posez à présent le coussin d'assise sur la base.



4. Fixez-le en passant les velcros autour des 2 baguettes centrales.

## MONTAGE PIÈCE DE CONNEXION

### OUTILS



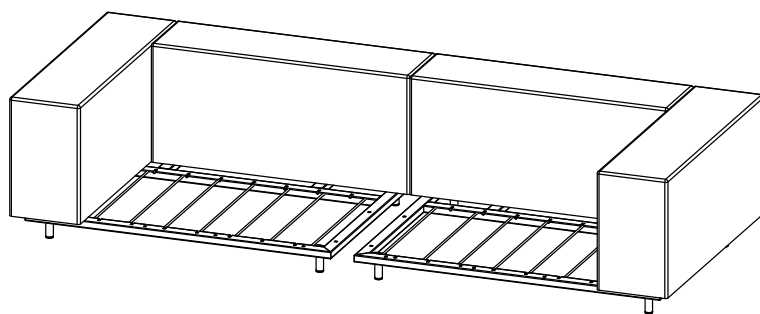
2 personnes



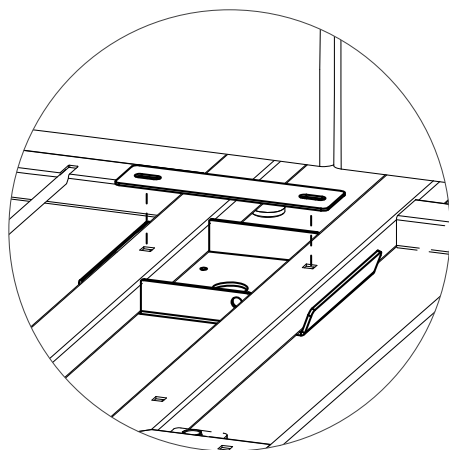
clé plate n° 17



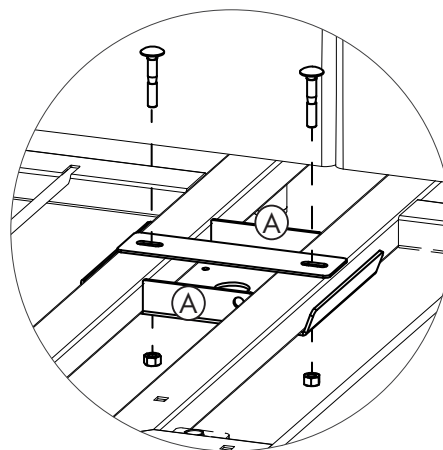
+/- 15 min.



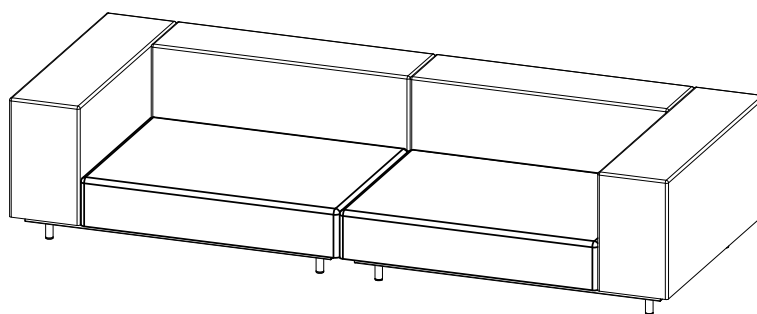
1. Positionnez les modules dans la séquence et à l'endroit où vous souhaitez que le canapé soit installé au final. Placez les modules les uns contre les autres, et alignez-les le mieux possible.



2. Installez la pièce de connexion par le dessous entre les 2 cadres, à hauteur des trous prévus pour fixer la pièce de connexion. Déposez la plaque supérieure à cheval sur les 2 cadres, à hauteur des trous prévus pour fixer la pièce de connexion.



3. Solidarisez la base de la pièce de connexion et la plaque supérieure au moyen des vis à tête bombée et des écrous. Le fait de serrer les écrous fera se rapprocher les deux modules. Serrez jusqu'à ce que les deux cadres soient totalement contre les côtés relevés (A) de la base de la pièce de connexion.



4. Posez les coussins d'assise sur les cadres et fixez-les en passant les velcros autour des baguettes en fibre de verre (comme indiqué en page 43 à l'étape 6).

## ENTRETIEN

### ACIER GALVANISÉS

La galvanisation ou zingage thermique est la manière la plus durable de protéger le métal contre la formation de rouille. Si la couche de zinc est endommagée, le métal risque de rouiller malgré tout. Il est facile d'y remédier, en appliquant une peinture au zinc (qui a la même couleur), disponible dans le commerce.

La galvanisation est un procédé thermique qui peut légèrement déformer le matériau. Les autres techniques de protection du métal ne présentent pas cet inconvénient, mais leur qualité est insuffisante.

### BÂCHE

Votre canapé Walrus a besoin de peu d'entretien. Tous les tissus utilisés sont en effet dotés d'un enduit antitache grâce auquel la saleté pénètre moins vite dans le matériau. Cet enduit n'empêche cependant pas la poussière, la saleté ou les taches de se déposer sur le fauteuil. Comme tous les meubles d'extérieur, celui-ci aussi requiert donc un minimum d'entretien. Il est très important de respecter soigneusement les instructions d'entretien d'Extremis. L'utilisation d'autres méthodes ou produits peut en effet causer un dommage irréversible aux tissus et à l'enduit de protection. Comme 'mieux vaut prévenir que guérir', quelques mesures préventives vous permettront de garder votre canapé en parfait état pendant très longtemps. Comme pour tous les matériaux, ceux utilisés pour la fabrication du canapé Walrus présenteront une certaine patine au fil du temps. Cette patine n'enlève rien à la qualité du matériau lui-même.

### NETTOYAGE QUOTIDIEN

Pour éviter autant que possible l'incrustation des taches, nous recommandons de nettoyer régulièrement le canapé à l'eau tiède (max. 40°C) et au savon doux, avec un chiffon propre ou une éponge non abrasive.

Après le nettoyage, laissez la bâche sécher naturellement, ou séchez-la avec un chiffon propre pour obtenir un résultat parfait.

### CONSEILS EN CAS DE TACHES

Ne laissez pas les taches s'incruster dans la bâche. Tamponnez immédiatement toute tache avec une éponge/un chiffon doux et propre.

S'il reste des taches visibles, le mieux est de les laver à l'eau tiède (max. 40°C) et au savon doux. Utilisez uniquement un chiffon propre ou une éponge douce ! (n'utilisez jamais le côté abrasif d'une éponge)

Ne frottez pas trop fort et n'utilisez en aucun cas de produits abrasifs. Vous risqueriez d'endommager l'enduit de protection, et la bâche deviendra alors plus sensible à la saleté.

Ne vous contentez pas de nettoyer l'endroit souillé, mais nettoyez également une partie plus étendue tout autour de la tache.

Si après le traitement ci-dessus il reste des taches tenaces, vous pouvez les nettoyer avec l'éponge MiraClean fournie avec votre canapé. Mouillez l'éponge et frottez sur la tache. Ne frottez pas trop fort ni trop longtemps afin de ne pas endommager la couche de protection.

La tache n'a toujours pas entièrement disparu après le traitement ci-dessus ? Pas de panique. Elle finira par s'estomper sous l'influence du soleil.

N'utilisez jamais de solvants ou de détergents forts tels qu'acétone, éther, essence, alcool pur, ni de produits

lessiviels, liquides vaisselle, produits contenant des acides forts ou des bases, produits fortement oxydants tels qu'eau de Javel, nettoyeurs contenant des particules abrasives.

Évitez toujours les marques de feutres, crayons, stylos et autres matériels d'écriture sur le canapé. Ces marques sont souvent difficiles voire impossibles à faire disparaître.

Ne mettez JAMAIS la bâche dans le lave-linge ou le sèche-linge.

La bâche ne peut pas être repassée.

### COUVERTURE + COUSSIN SUNBRELLA

#### NETTOYAGE QUOTIDIEN

Secouez ou brossez les saletés non adhérentes.

Préparez une solution composée de 15 ml de détergent doux pour le linge ou la vaisselle, par litre d'eau tiède.

Utilisez une éponge ou une brosse à poils doux pour nettoyer le tissu.

Laissez la solution pénétrer dans le tissu.

Rincez soigneusement pour éliminer tout reste de détergent.

Laissez le tissu sécher à l'air. Le tissu Sunbrella sèche très rapidement à l'air, il n'est pas nécessaire de faire sécher en machine.

Les couvertures et les taies de coussin peuvent également être lavées à la machine (max. 40°C). Pas de nettoyage à sec ou de séchage en machine.

Si le tissu est un peu froissé, utilisez si nécessaire un fer à repasser mais uniquement sur le réglage 'Synthétique'. Étant donné que sur le réglage 'Synthétique' certains fers chauffent plus que la température recommandée, testez sur une partie



non visible avant de repasser toute la pièce. **N'utilisez pas de vapeur.**

#### CONSEILS EN CAS DE TACHES

Préparez une solution de 60 ml d'eau de Javel et 15 ml de détergent doux par litre d'eau claire. **CONSEIL :** protégez la zone autour de votre tissu Sunbrella lorsque vous utilisez une solution contenant de l'eau de Javel, car cette dernière peut en effet décolorer les tissus non Sunbrella. Rincez toujours convenablement le tissu Sunbrella pour éliminer tout reste d'eau de Javel. Faites attention à l'environnement lorsque vous utilisez de l'eau de Javel. Celle-ci peut avoir un effet nocif sur l'environnement naturel qui vous entoure. Nous déconseillons l'utilisation d'eau de Javel à proximité d'une pièce d'eau ou de tout autre environnement qui pourrait en être affecté négativement.

Vaporisez sur toute la surface et laissez le produit imprégner le tissu pendant 15 minutes.

Ôtez la saleté avec une éponge, un chiffon propre ou une brosse à poils très doux.

Rincez soigneusement afin d'éliminer tout reste de détergent.

Laissez le tissu sécher à l'air.

En cas de tache et/ou de moisissure importantes, vous pouvez augmenter la quantité d'eau de Javel. Voir [https://trade.sunbrella.com/en\\_us/pdf/cleaning-sunbrella-upholstery-drapery.pdf](https://trade.sunbrella.com/en_us/pdf/cleaning-sunbrella-upholstery-drapery.pdf) pour des instructions plus détaillées pour l'entretien des tissus Sunbrella.

#### BAGUETTES EN FIBRE DE VERRE

Les tiges en fibres de verre ne nécessitent pas d'entretien spécifique et peuvent être dépoussiérées au moyen d'un chiffon humide. Veillez

à ne pas toucher les extrémités des tiges afin d'éviter toute irritation.

#### PRENDRE SOIN DE VOTRE MOBILIER D'EXTÉRIEUR

L'extérieur n'est pas un environnement clément pour votre mobilier. La pluie, la poussière, la saleté, les animaux, l'humidité, la pollution, le climat marin,... sont autant de facteurs qui ont un impact sur l'apparence de votre mobilier d'extérieur. Sachez aussi que la pluie, la poussière et la saleté peuvent être plus ou moins visibles selon la couleur, la texture et le matériau utilisé. Le blanc par exemple est une couleur très fragile.

Bien que nous utilisions exclusivement les meilleurs matériaux disponibles sur le marché, il n'existe aucun matériau qui ne souffre de l'usure du temps. Nous vous recommandons dès lors de prendre bien soin de votre mobilier d'extérieur et de le nettoyer régulièrement, en fonction des conditions dans lesquelles il est utilisé.

#### ATTENTION

##### ÉPONGE MIRACLE

Vous pouvez seulement utiliser l'éponge miracle si nettoyer avec de l'eau tiède, savon doux et une éponge normale n'est pas suffisant.

S'il y a encore des taches tenaces visibles après nettoyer (voyez le mode d'emploi du produit), vous pouvez utiliser une éponge MiraClean ci-incluse. Mouillez l'éponge avec de l'eau et frottez les taches. **Ne frottez pas trop dur** parce que ça peut causer des taches mates.

**L'usage des détergents n'est pas nécessaire**, l'eau suffit.

Le MiraClean consiste de résine mélanine et s'use après usage.

L'éponge est très facile à utiliser et donne résultat jusqu'à 26x plus vite par rapport au chiffon microfibrés. L'éponge miracle enlève les taches plus tenaces sans effort supplémentaire.

**N'utilisez pas sur les surfaces brillantes.**

L'éponge MiraClean est la solution pour enlever les taches tenaces comme des taches de marqueur, de graisse, des marques de soulier, des taches de chaux, de café et de thé. Le MiraClean peut être utilisé sur bâche, PVC, verre, acier, chrome, aluminium, porcelaine, cuir synthétique et des sols divers.

Pour plus d'informations, contactez Extremis: [info@extremis.be](mailto:info@extremis.be)

#### AIMANTS

Ne laissez pas d'objets en métal tels qu'aiguilles, couteaux, outils à proximité des aimants.

**Les personnes avec un pacemaker doivent éviter tout contact avec le champ magnétique.**

Tenez les appareils électriques et cartes mémoires à distance du champ magnétique.

Tenez les aimants à distance d'une flamme nue et d'une chaleur élevée

#### AUTRE

Ôtez immédiatement la saleté éventuelle.

Rangez le coussin et la couverture à l'intérieur si vous ne les utilisez pas pendant une période prolongée.

#### CADRE + PIEDS PEINTRE POUDRÉE

Nettoyage avec de l'eau tiède et un détergent doux.

## LANGUAGES

### ENGLISH P. 3

contents .....	p. 3
assembly corner seat .....	p. 6
assembly middle seat .....	p. 8
assembly footstool .....	p. 10
assembly connection piece .....	p. 11
maintenance .....	p. 12

### NEDERLANDS P. 15

inhoud .....	p. 15
montage hoekzit .....	p. 18
montage tussenzit .....	p. 20
montage poef .....	p. 22
montage koppelstuk .....	p. 23
onderhoud .....	p. 24

### DEUTSCH P. 27

inhalt .....	p. 27
montage eck-modul .....	p. 30
montage mittel-modul .....	p. 32
montage puf .....	p. 34
montage verbindungsstück .....	p. 35
pflege .....	p. 36

### FRANÇAIS P. 39

contenu .....	p. 39
montage module central .....	p. 42
montage module d'angle .....	p. 44
montage repose-pied .....	p. 46
montage pièce de connexion .....	p. 47
entretien .....	p. 48

### ITALIANO P. 51

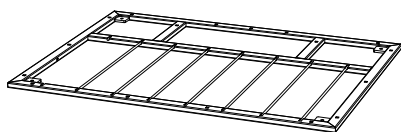
contenuto .....	p. 51
montaggio seduto ad angolo .....	p. 54
montaggio seduto centrale .....	p. 56
montaggio puf .....	p. 58
montaggio elemento di connessione .....	p. 59
manutenzione .....	p. 60

### ESPAÑOL P. 63

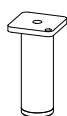
contenido .....	p. 63
montaje asiento esquinero .....	p. 66
montaje asiento medio .....	p. 68
montaje taburete .....	p. 70
montaje pieza de conexión .....	p. 71
mantenimiento .....	p. 72

## CONTENUTO

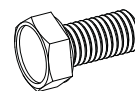
### SEDUTA AD ANGOLO - SINISTRA, DESTRA P. 54



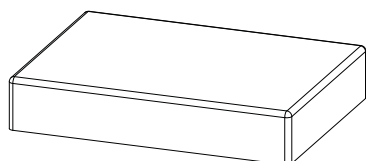
1 x telaio



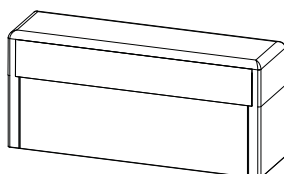
4 x gambe



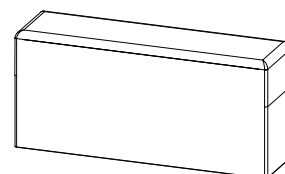
4 x bulloni M10x20



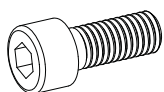
1 x cuscino delle seduta



1 x schienale



1 x braccioli



6 x bulloni M8x20



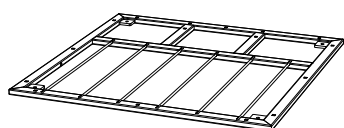
3 x dadi ciechi M8



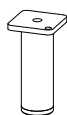
9 x rondelle a molla M8

---

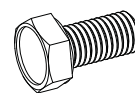
### SEDUTA CENTRALE P. 56



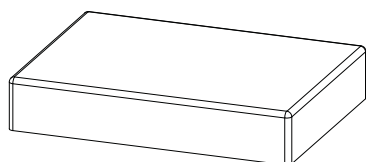
1 x telaio



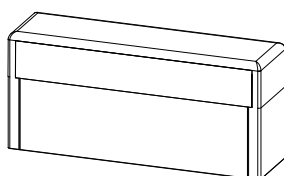
4 x gambe



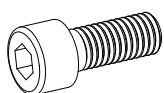
4 x bulloni M10x20



1 x cuscino delle seduta



1 x schienale



3 x bulloni M8x20



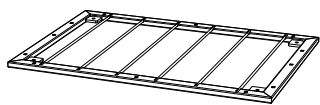
3 x dadi ciechi M8



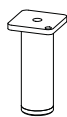
6 x rondelle a molla M8

## CONTENUTO

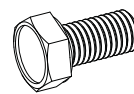
PUF P. 58



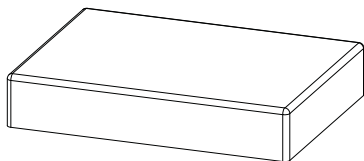
1 x telaio



4 x gambe



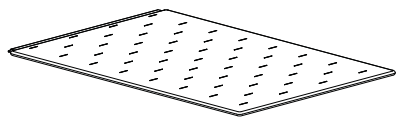
4 x bulloni M10x20



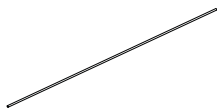
1 x cuscino delle seduto

## OPZIONALE

### PLAID

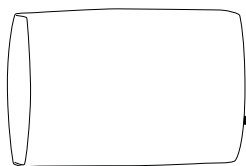


1 x plaid



1 x asta in fibra de vetro  
(L = 985 mm)

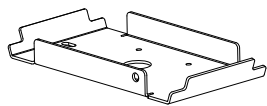
### CUSCINO 85 X 55 CM



1 x cuscino

---

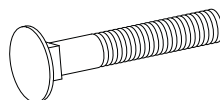
### ELEMENTO DI CONNESSIONE P. 59



1 x dell'elemento di  
giunzione



1 x piastra superiore



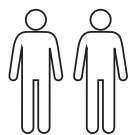
2 x bulloni M8x50



2 x dadi M8

# MONTAGGIO SEDUTA AD ANGOLO

## NECESSARIO PER IL MONTAGGIO



2 persone



chiave n. 17

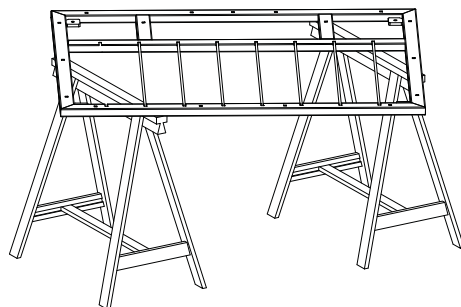


chiave a brugola n. 5

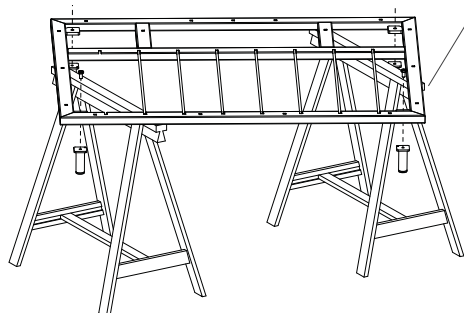
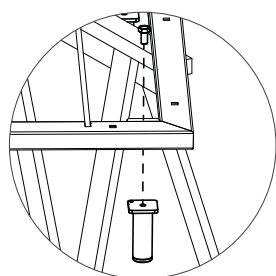


+/- 30 min.

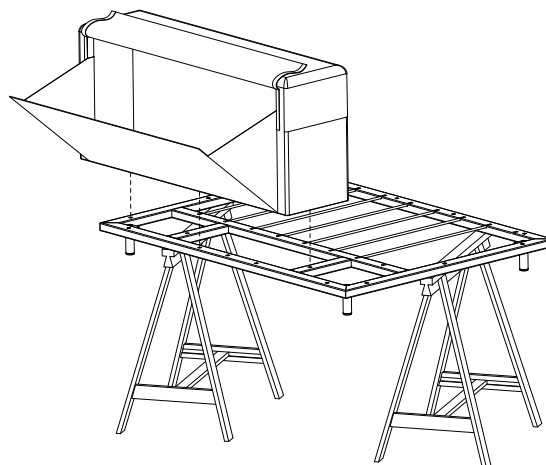
2 à 4 cavalletti



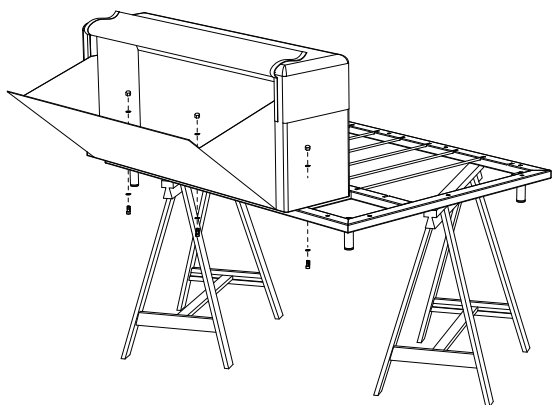
1. Posizionare il telaio sui cavalletti (per accedere più facilmente anche al lato inferiore). **ATTENZIONE:** posizionare il telaio con le aste rivolte verso l'alto.



2. Fissare le 4 gambe negli angoli del telaio, ciascuna con un bullone M10x20. Stringerli mediante una chiave n. 17.

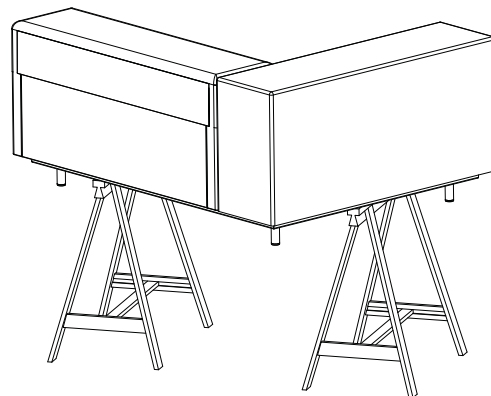
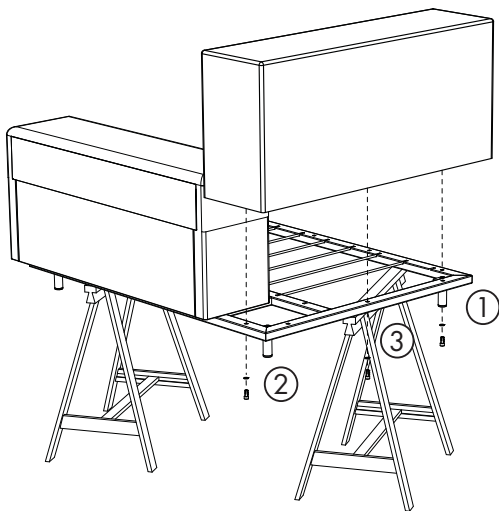


3. Posizionare lo schienale sulla parte posteriore del telaio (nello spazio privo di aste) con lo scomparto rivolto verso l'esterno. Fare in modo che i fori presenti sul telaio e quelli presenti sul contenitore combacino. **Nel punto in cui verrà a trovarsi il bracciolo manca una delle aste del telaio. Tenerne conto quando si posiziona lo schienale.**

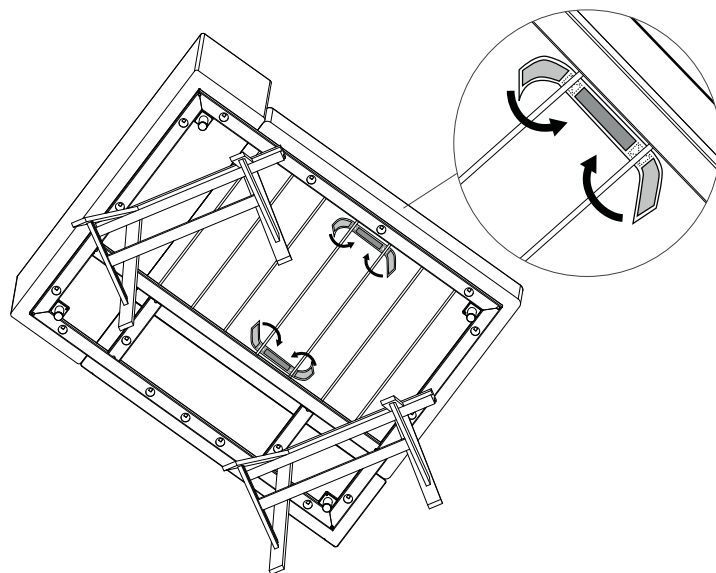
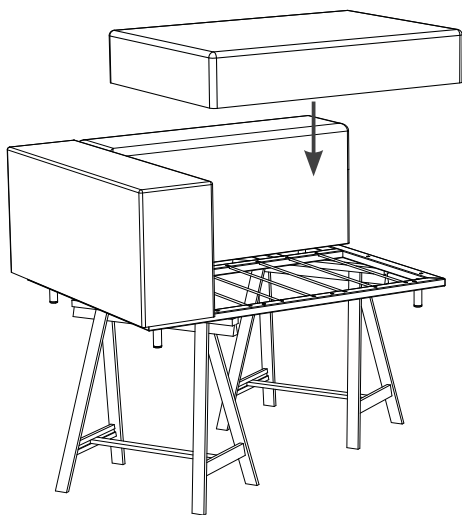


4. Infilare 3 bulloni M8x20, ciascuno con una rondella a molla M8, attraverso il fondo del telaio, di modo che fuoriescano nel contenitore dello schienale, e fissarli con un dado cieco M8.



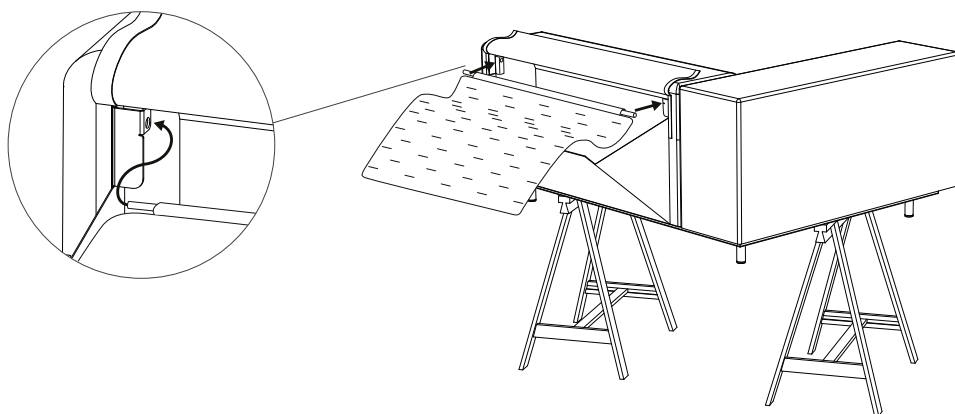


5. Fissare ora ogni bracciolo sul telaio mediante 3 bulloni M8x20, ciascuno con una rondella a molla M8.  
**ATTENZIONE:** far si che i fori combacino e stringere tutti i bulloni sia dello schienale che dei due braccioli.  
**SUGGERIMENTO:** stringere prima il bullone anteriore ①, poi quello posteriore ② e solo all'ultimo quello centrale ③.  
 Se si desidera collegare tra loro i moduli mediante l'elemento di giunzione, si consiglia di farlo prima di fissare il cuscino della seduta al telaio. A pagina 59 si trovano le istruzioni per il collegamento mediante l'elemento di giunzione.



6. Posizionare il cuscino della seduta sul telaio e fissarlo chiudendo le fascette in velcro attorno alle 2 aste centrali.

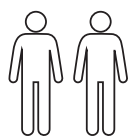
### OPZIONALE



1. Aprire coperchio dello schienale. Fissare il plaid allo schienale mediante l'asta in fibra di vetro in dotazione (L = 985 mm).  
 2. Stendere il plaid sul divano e posizionarvi il cuscino.

## MONTAGGIO SEDUTA CENTRALE

### NECESSARIO PER IL MONTAGGIO



2 persone



chiave n. 17

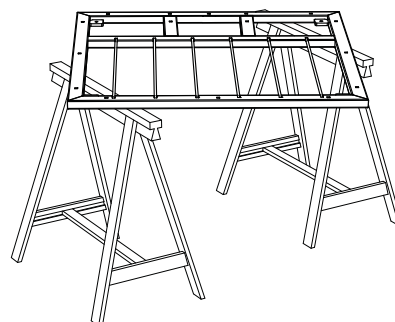


chiave a brugola n. 5

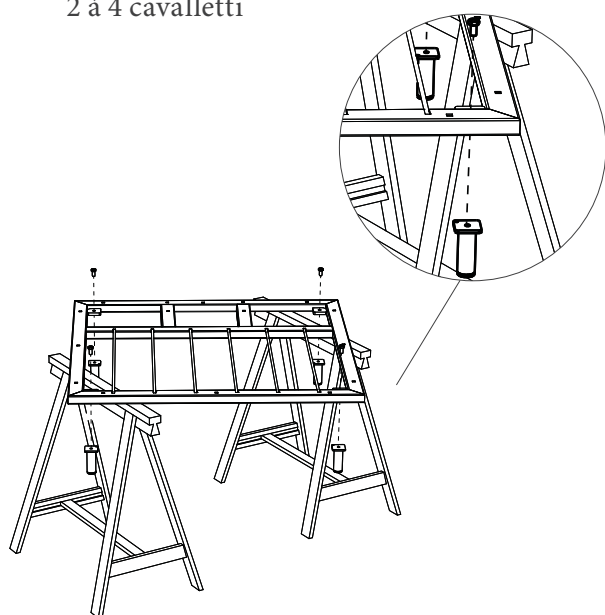


+/- 20 min.

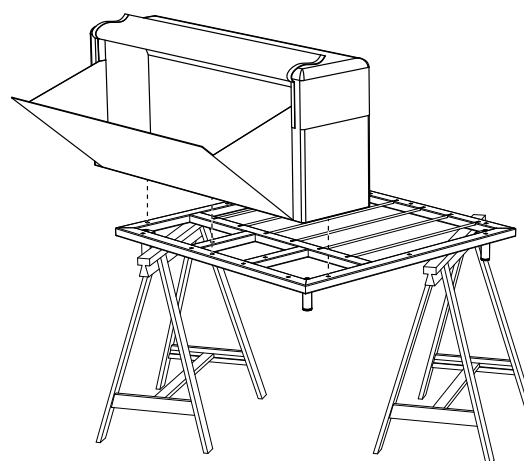
2 à 4 cavalletti



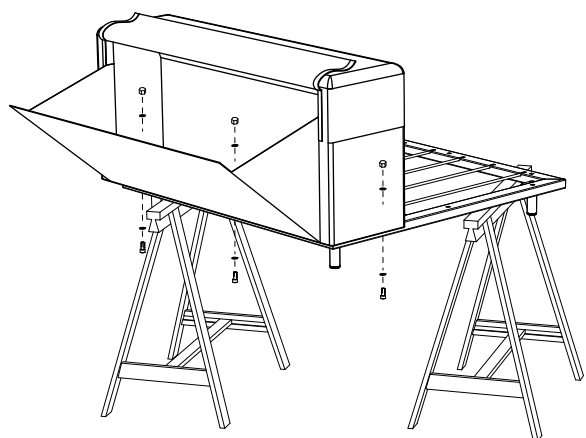
1. Posizionare il telaio sui cavalletti (per accedere più facilmente anche al lato inferiore). **ATTENZIONE:** posizionare il telaio con le aste rivolte verso l'alto.



2. Fissare le 4 gambe negli angoli del telaio, ciascuna con un bullone M10x20. Stringerli mediante una chiave n. 17.



3. Posizionare lo schienale sulla parte posteriore del telaio (nello spazio privo di aste) con lo scomparto rivolto verso l'esterno. Fare in modo che i fori presenti sul telaio e quelli presenti sul contenitore combacino.

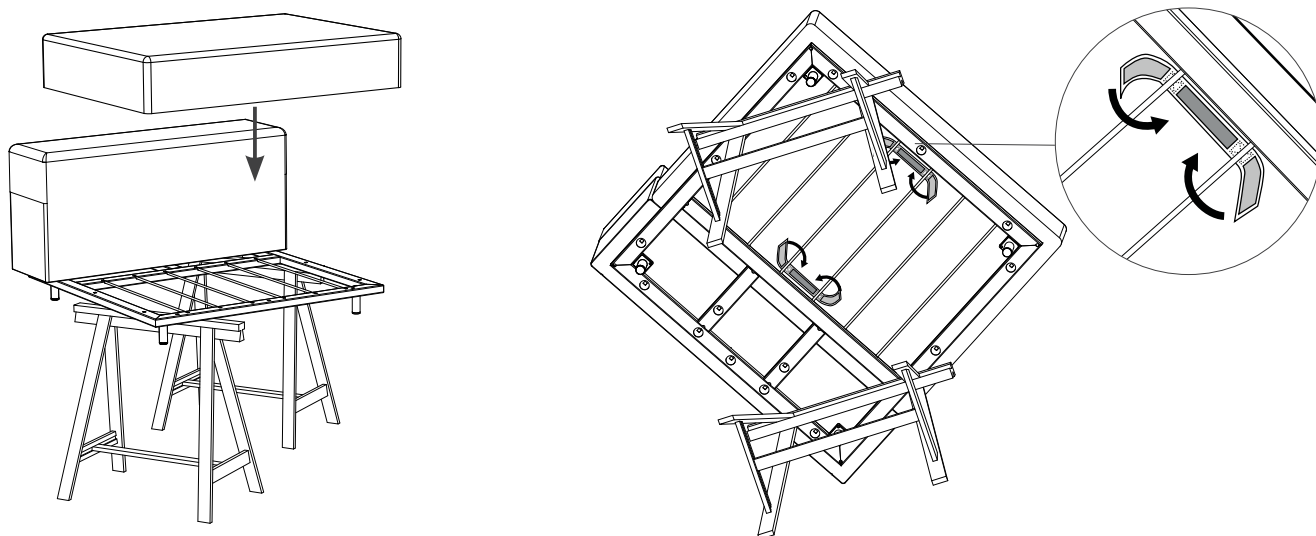


4. Infilare 3 bulloni M8x20, ciascuno con una rondella a molla M8, attraverso il fondo del telaio, di modo che fuoriescano nel contenitore dello schienale, e fissarli con un dado cieco M8.



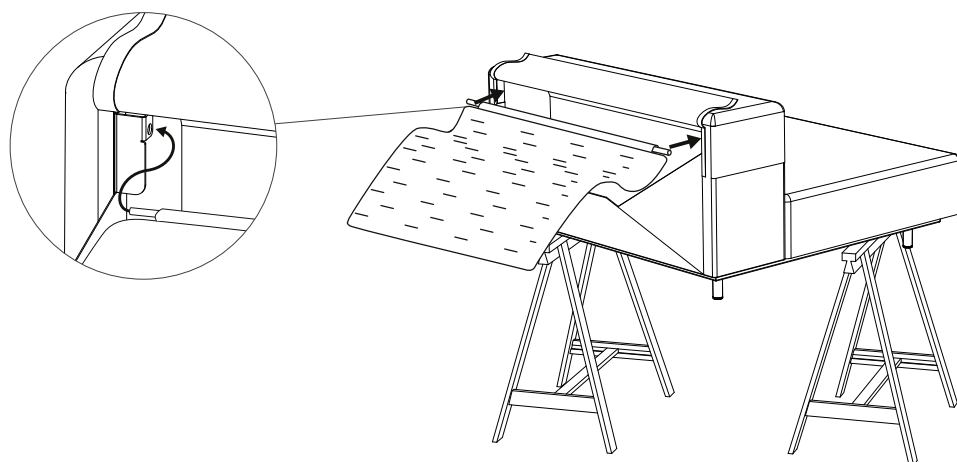


Se si desidera collegare tra loro i moduli mediante l'elemento di giunzione, si consiglia di farlo prima di fissare il cuscino della seduta al telaio. A pagina 59 si trovano le istruzioni per il collegamento mediante l'elemento di giunzione.



6. Posizionare il cuscino della seduta sul telaio e fissarlo chiudendo le fascette in velcro attorno alle 2 aste centrali.

## OPZIONALE



1. Aprire coperchio dello schienale. Fissare il plaid allo schienale mediante l'asta in fibra di vetro in dotazione (L = 985 mm).

2. Stendere il plaid sul divano e posizionarvi il cuscino.

## MONTAGGIO PUF

### NECESSARIO PER IL MONTAGGIO



1 persona

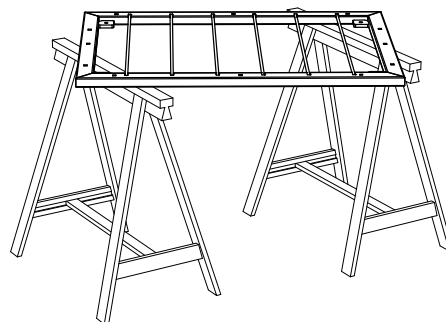


chiave n. 17

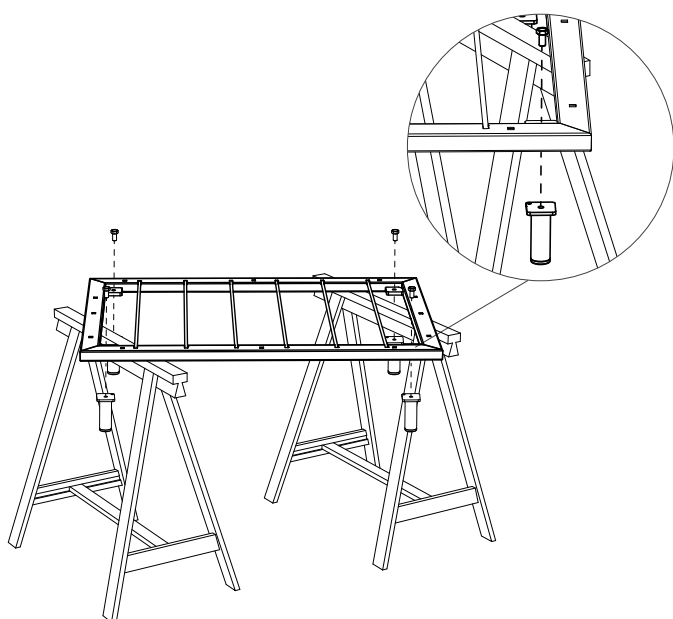


+/- 15 min.

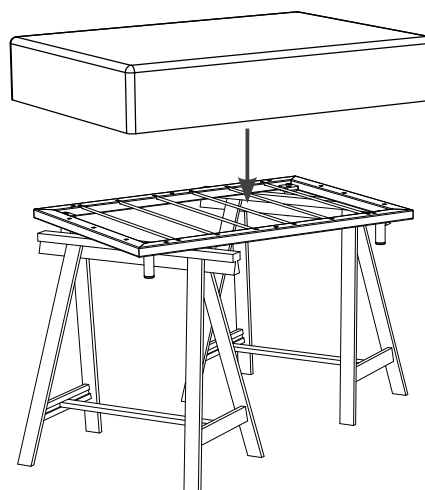
2 à 4 cavalletti



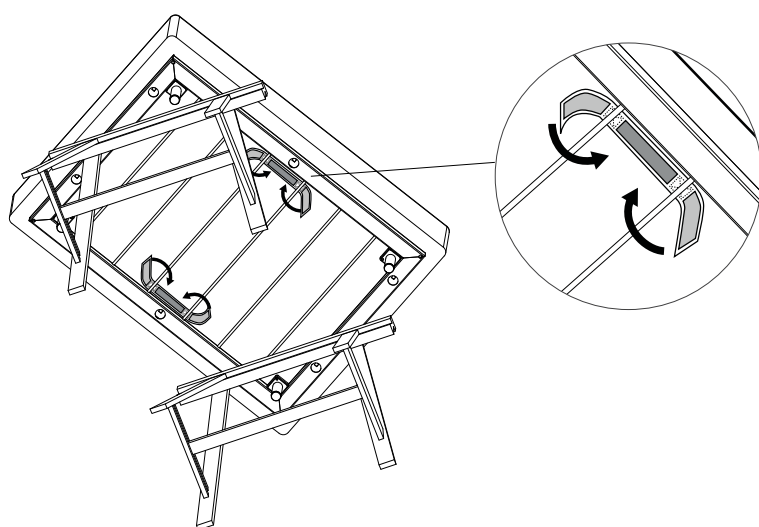
1. Posizionare il telaio sui cavalletti (per accedere più facilmente anche al lato inferiore). **ATTENZIONE:** posizionare il telaio con le aste rivolte verso l'alto.



2. Fissare le 4 gambe negli angoli del telaio, ciascuna con un bullone M10x20. Stringerli mediante una chiave n. 17.



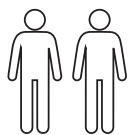
3. Posizionare il cuscino della seduta sul telaio.



4. fissarlo chiudendo le fascette in velcro attorno alle 2 aste centrali.

## MONTAGGIO ELEMENTO DI CONNESSIONE

### NECESSARIO PER IL MONTAGGIO



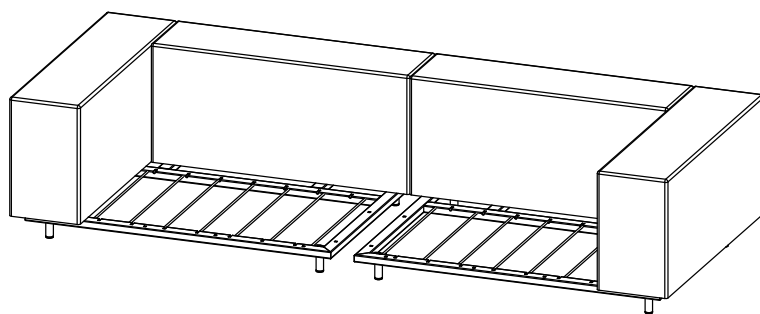
2 persone



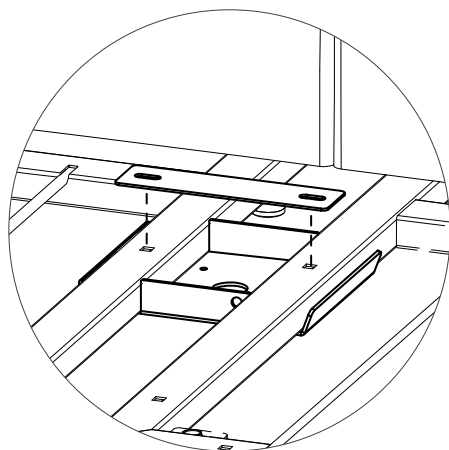
chaive n. 17



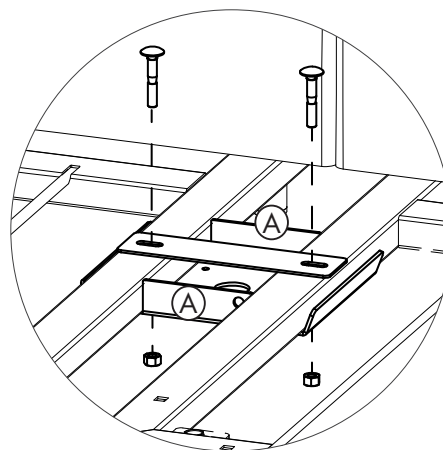
+/- 15 min.



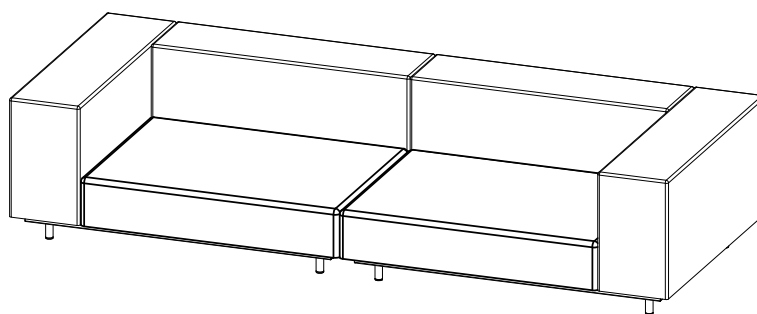
1. Posizionare i moduli nella posizione corretta e nel luogo destinato all'utilizzo finale del divano. Accostare ed allineare i moduli.



2. Tenere la parte inferiore dell'elemento di giunzione al di sotto dei telai, nel punto dove dovranno unirsi, all'altezza dei fori apposti per il fissaggio dell'elemento di giunzione. Appoggiare la piastra superiore al di sopra dei telai, all'altezza dei fori apposti per il fissaggio dell'elemento di giunzione.



3. Fissare la parte superiore e inferiore dell'elemento di giunzione mediante bulloni e dadi. Stringendo i dadi, i due moduli si avvicineranno. Stringere fintanto che i telai non vengano tirati completamente verso le (A) traversine verticali della parte inferiore dell'elemento di giunzione.



4. Posizionare i cuscini della seduta sui telai e fissarli chiudendo le fascette in velcro attorno alle aste in fibra di vetro (come illustrato a pagina 55, punto 6).

## MANUTENZIONE

### GALVANIZZATI

Il trattamento di galvanizzazione, o zincatura a caldo, è la soluzione migliore e più duratura per proteggere il metallo dalla corrosione. Tuttavia, se lo strato di zinco si danneggia, il metallo sottostante può essere soggetto a corrosione; per rimediare, è sufficiente applicare vernice allo zinco sulla parte esposta, sempre di colore grigio e facilmente reperibile nei negozi.

La galvanizzazione è un processo termico e può dunque alterare leggermente la forma del materiale. Altri metodi di protezione dei metalli non comportano questo svantaggio, ma sono di qualità insufficiente.

### TELA CERATA

Il suo divano Walrus richiede poca manutenzione. Tutti i tessuti impiegati sono dotati di un rivestimento repellente che ostacola la penetrazione dello sporco nel materiale sottostante, pur non evitando la formazione di macchie o l'accumulo di polvere e sporco. Come per tutti gli arredi per esterni, anche questo divano richiede una manutenzione minima. Per ottenere i risultati migliori è necessario seguire attentamente le istruzioni di manutenzione fornite da Extremis, in quanto l'impiego di altri prodotti o metodi di pulizia potrebbe danneggiare irreparabilmente i tessuti e il rivestimento repellente. Fedeli al detto "prevenire è meglio che curare", seguire alcuni importanti accorgimenti garantirà lunga vita al suo divano. Come per ogni altro materiale, anche sui tessuti del divano Walrus, dopo un po' di tempo si formerà una patina, la quale non influisce però sulla qualità del materiale.

#### PULIZIA QUOTIDIANA

Per evitare per quanto possibile la formazione di macchie, si consiglia

di pulire regolarmente il divano con una spugna o un panno morbidi imbevuti di acqua tiepida (max. 40°C) e sapone delicato.

Dopo la pulizia, lasciare asciugare all'aria, oppure, per un risultato ancora migliore, asciugare con un panno pulito.

#### PER RIMUOVERE LE MACCHIE

Non dar tempo alle macchie di penetrare nella tela cerata. Inumidire immediatamente con un panno o una spugna morbidi e puliti.

Se le macchie fossero ancora visibili, si consiglia di pulirle con acqua tiepida (max. 40°C) e sapone delicato. Utilizzare solo una spugna o un panno morbidi e non abrasivi!

Non sfregare troppo e non utilizzare sostanze abrasive, che potrebbero danneggiare lo strato protettivo e permettere quindi allo sporco di penetrare nella tela cerata.

Non trattare esclusivamente il punto macchiato, ma anche il tessuto circostante.

Trattare le macchie più ostinate, ancora visibili dopo questo trattamento, con la spugna MiraClean in dotazione, immergendola in acqua e strofinandola sulla macchia. Anche in questo caso, strofinare delicatamente per non danneggiare lo strato protettivo.

Nel caso in cui la macchia non fosse ancora del tutto scomparsa dopo questo trattamento, non c'è da preoccuparsi, perché con il tempo, i raggi del sole faranno il resto.

Non utilizzare mai solventi o detergenti, come acetone, etere, benzina, alcol puro o detersivi (per piatti o bucato), prodotti fortemente acidi o alcalini, sostanze ossidanti, come la candeggina, o lucidi con componenti abrasive.

Evitare che matite, penne o altro

materiale contenente inchiostro, entrino in contatto con il divano perché, per loro natura, sono difficili se non impossibili da cancellare.

Non mettere MAI la tela cerata in lavatrice o nell'asciugatrice.

Non stirare la tela cerata.

### PLAID E CUSCINO IN SUNBRELLA

#### PULIZIA QUOTIDIANA

Scuotere o strofinare con un panno per eliminare polvere, briciole ecc.

Preparare una soluzione saponata con 15 ml di detergente delicato per lavatrice o lavastoviglie e un litro d'acqua tiepida.

Pulire con una spugna o una spazzola a setole morbide.

Lasciare che la soluzione detergente penetri nel tessuto.

Sciacquare abbondantemente per rimuovere tutti i residui di detergente.

Lasciare asciugare all'aria aperta. Sunbrella asciuga molto rapidamente. Non è necessaria l'asciugatura a macchina.

In alternativa, i plaid e le federe possono essere lavati in lavatrice (a non più di 40°C). Non lavare a secco e non mettere nell'asciugatrice.

In caso di pieghe nei tessuti, stirare con il programma specifico per i tessuti sintetici. Siccome il programma per tessuti sintetici, in alcuni ferri da stiro supera la temperatura consigliata, prima di stirare l'intero capo, provare in un punto non visibile. NON usare un ferro a vapore né un comune ferro da stiro impostato sulla funzione vapore.

#### PER RIMUOVERE LE MACCHIE

Preparare una soluzione con 60 ml di candeggina, 15 ml di sapone delicato e un litro d'acqua. **SUGGERIMENTO:** Quando si applica una soluzione contenente candeggina, si consiglia di proteggere l'area circostante, perché eventuali altri tessuti potrebbero scolorire. Sciacquare Sunbrella abbondantemente per rimuovere la candeggina. **Attenzione all'ambiente!** La candeggina può avere effetti nocivi sull'ambiente. Si sconsiglia l'uso di candeggina se ci si trova nelle vicinanze di un corso o di uno specchio d'acqua o di altri ambienti naturali potenzialmente a rischio.

Spruzzare su tutta la zona e lasciare che la soluzione penetri nei tessuti per 15 minuti.

Rimuovere le macchie con una spugna, un panno pulito o una spazzola a setole molto morbide.

Sciacquare abbondantemente per rimuovere tutti i residui di detergente.

Lasciare asciugare all'aria aperta.

In caso di muffa e/o macchie tenaci, aumentare la quantità di candeggina. Per istruzioni più dettagliate in merito alla pulizia di Sunbrella, consultare: [https://trade.sunbrella.com/en\\_us/pdf/cleaning-sunbrella-upholstery-drapery.pdf](https://trade.sunbrella.com/en_us/pdf/cleaning-sunbrella-upholstery-drapery.pdf).

## ASTE IN FIBRA DI VETRO

I bastoncini di fibra di vetro non richiedono nessuna manutenzione particolare. Basta rimuovere la polvere con un panno umido. Per evitare le irritazioni, non toccare le estremità dei bastoncini.

## COME PRENDERSI CURA DEL PROPRIO ARREDO PER ESTERNI

Stando all'aperto, il vostro arredo deve fare i conti con le più svariate avversità. Pioggia, polvere, sporco, alberi, animali, umidità, inquinamento, salinità dell'aria: tutti questi fattori influiranno sull'aspetto e sulla pulizia del vostro arredo per esterni. Inoltre, è importante ricordare che a seconda del colore, del tessuto e dei materiali impiegati, polvere e sporco risulteranno più o meno visibili. Il bianco, naturalmente, è il colore più delicato.

Nonostante l'impiego dei materiali migliori disponibili sul mercato, al mondo non ne esiste neanche uno che resti invariato nel tempo. Per questa ragione, le consigliamo di dedicare la massima cura al suo arredo e di pulirlo con regolarità, a seconda delle condizioni di utilizzo.

## ATTENZIONE

### SPUGNA MAGICA

Utilizzare la spugna MiracleClean solo quando non basta la normale pulizia con acqua tiepida, sapone delicato e una spugna morbida.

Quando, anche dopo la pulizia (vedere il manuale del prodotto), rimangono visibili macchie ostinate, eventualmente si possono rimuovere con le spugne in dotazione. Inumidire la spugna solo con acqua e strofinare le macchie da pulire. **Non strofinare troppo forte**, altrimenti potrebbero formarsi macchie opache.

**Non è necessario utilizzare detergenti ma è sufficiente l'acqua.**

La spugna MiraClean è realizzata in resina melamminica e si consuma con l'uso. La spugna è molto semplice da utilizzare e raggiunge i risultati desiderati 26 volte più velocemente rispetto a un panno in microfibra tradizionale.

La spugna rimuove senza fatica

anche le macchie più ostinate.

**Non utilizzare mai la spugna su superfici lucide.**

La spugna MiraClean è la soluzione ideale per la rimozione di macchie ostinate, come quelle di pennarello, grasso, segni di scarpe, macchie di calcare, caffè e tè. La spugna MiraClean può essere utilizzata sulla tela cerata, sui profilati in PVC, vetro, acciaio, cromo, alluminio, porcellana, pelle sintetica e diversi tipi di pavimenti.

Per ulteriori informazioni, contattare Extremis: [info@extremis.be](mailto:info@extremis.be)

## MAGNETI

Non tenere in prossimità dei magneti oggetti in ferro come aghi, coltelli o attrezzi.

**Le persone portatrici di pacemaker non devono entrare in contatto con il campo magnetico.**

Tenere apparecchiature elettriche e schede elettroniche lontane dal campo magnetico.

Tenere i magneti lontano dal fuoco o da fonti di calore.

## ALTRI

Rimuovere immediatamente lo sporco.

In caso di inutilizzo prolungato, conservare il cuscino e il plaid al chiuso!

## TELAIO E GAMBE ALLUMINIO VERNICATO A POLVORE

Pulire con acqua tiepida e un detergente non aggressivo.

## LANGUAGES

### ENGLISH P. 3

contents .....	p. 3
assembly corner seat .....	p. 6
assembly middle seat .....	p. 8
assembly footstool .....	p. 10
assembly connection piece .....	p. 11
maintenance .....	p. 12

### NEDERLANDS P. 15

inhoud .....	p. 15
montage hoekzit .....	p. 18
montage tussenzit .....	p. 20
montage poef .....	p. 22
montage koppelstuk .....	p. 23
onderhoud .....	p. 24

### DEUTSCH P. 27

inhalt .....	p. 27
montage eck-modul .....	p. 30
montage mittel-modul .....	p. 32
montage puf .....	p. 34
montage verbindungsstück .....	p. 35
pflege .....	p. 36

### FRANÇAIS P. 39

contenu .....	p. 39
montage module central .....	p. 42
montage module d'angle .....	p. 44
montage repose-pied .....	p. 46
montage pièce de connexion .....	p. 47
entretien .....	p. 48

### ITALIANO P. 51

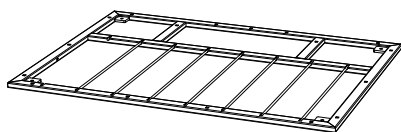
contenuto .....	p. 51
montaggio seduto ad angolo .....	p. 54
montaggio seduto centrale .....	p. 56
montaggio puf .....	p. 58
montaggio elemento di connessione .....	p. 59
manutenzione .....	p. 60

### ESPAÑOL P. 63

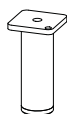
contenido .....	p. 63
montaje asiento esquinero .....	p. 66
montaje asiento medio .....	p. 68
montaje taburete .....	p. 70
montaje pieza de conexión .....	p. 71
mantenimiento .....	p. 72

## CONTENIDO

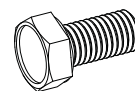
### ASIENTO ESQUINERO - IZQUIERDA, DERECHO P. 66



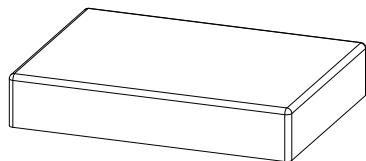
1 x chasis



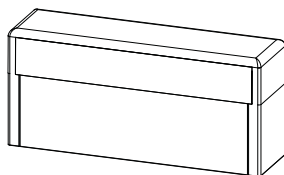
4 x pata



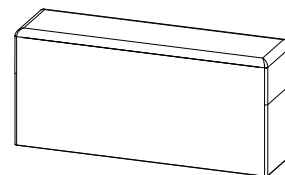
4 x tornillo M10x20



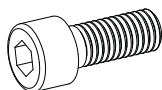
1 x cojín asiento



1 x cojín respaldo



1 x cojín reposabrazos



6 x tornillo M8x20



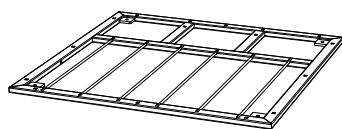
3 x tuerca capuchón M8



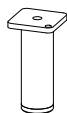
9 x arandela de muelle M8

---

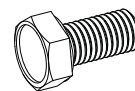
### ASIENTO MEDIO P. 68



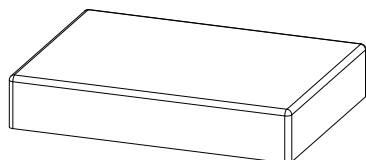
1 x chasis



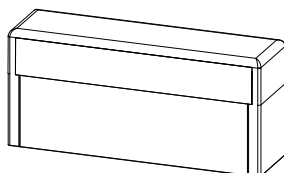
4 x pata



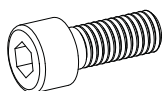
4 x tornillo M10x20



1 x cojín asiento



1 x cojín respaldo



3 x tornillo M8x20



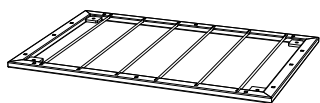
3 x tuerca capuchón M8



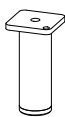
6 x arandela de muelle M8

## CONTENIDO

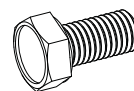
TABURETE P. 70



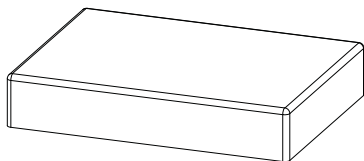
1 x chasis



4 x pata



4 x tornillo M10x20

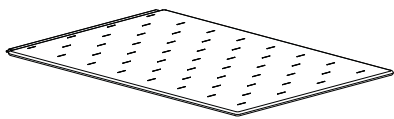


1 x cojín asiento

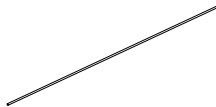


## OPCIONAL

### MANTA

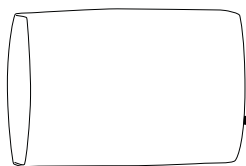


1 x manta



1 x palito de fibra de vidrio  
(L = 985 mm)

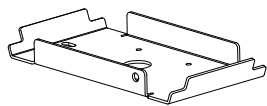
### COJÍN 85 X 55 CM



1 x cojín

---

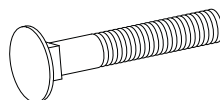
### PIEZA DE CONEXION P. 71



1 x base del acoplador



1 x placa superior



2 x tornillo M8x50



2 x tuerca M8

# MONTAJE ASIENTO ESQUINERO

## UTENSILOS



2 personas



llave fija no. 17

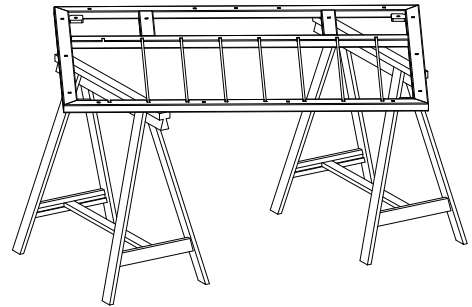


llave macho hexagonal no. 5

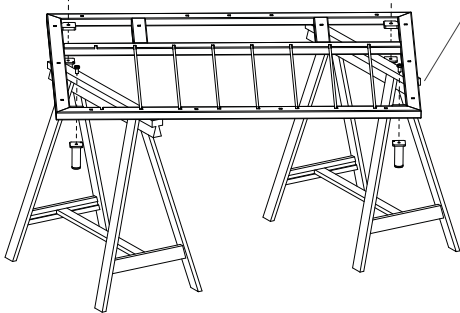
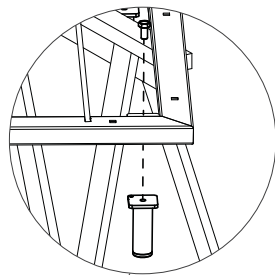


+/- 30 min.

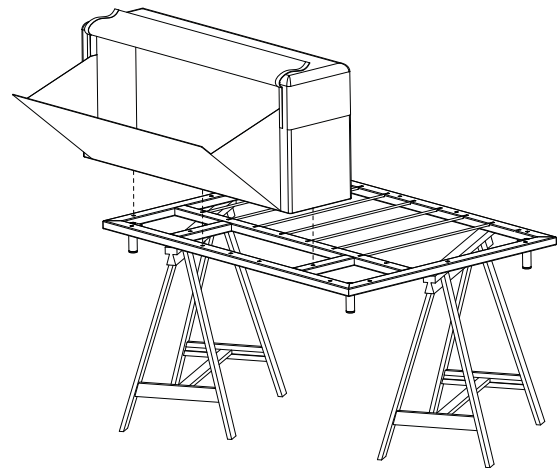
2 à 4 caballetes



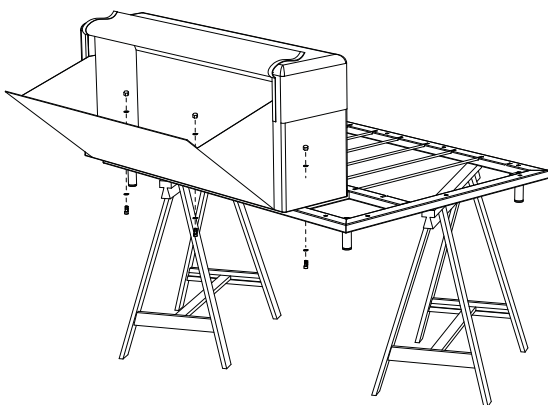
1. Ponga el chasis sobre caballetes (ello le facilitará el acceso a la parte inferior). **CUIDADO:** ponga el chasis con los palitos orientados hacia arriba.



2. Fije las 4 patas cada vez en los ángulos del chasis con un tornillo M10x20. Apriételos por medio de una llave fija no. 17.

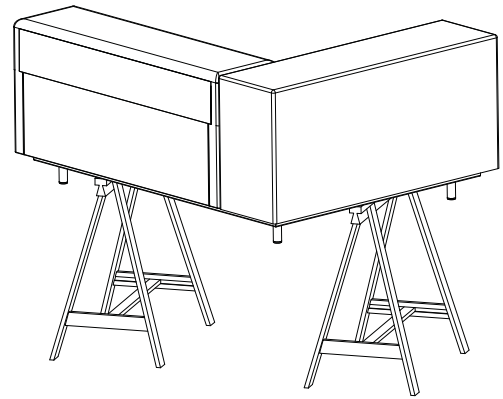
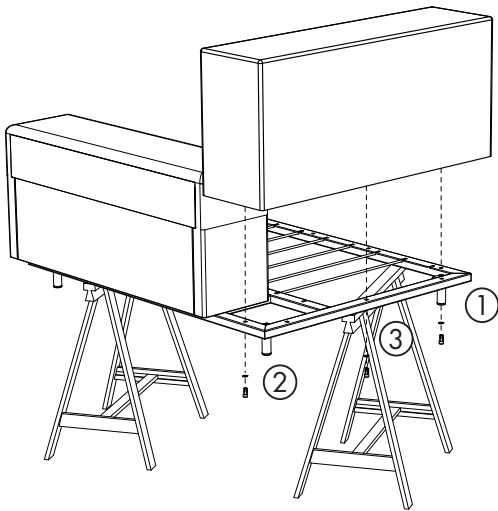


3. Coloque el cojín respaldo en la parte trasera del chasis (en el sitio donde no hay palitos) con el espacio de almacenamiento hacia el exterior. Procure que los huecos del chasis y los de la caja coincidan. **En el sitio donde el cojín reposabrazos será instalado, no hay un palito en el chasis. Tómelo en cuenta para la posición del cojín respaldo.**



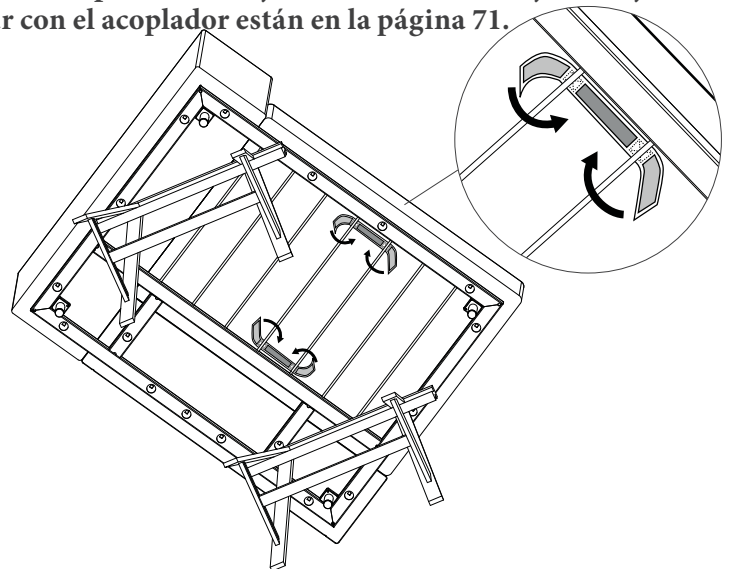
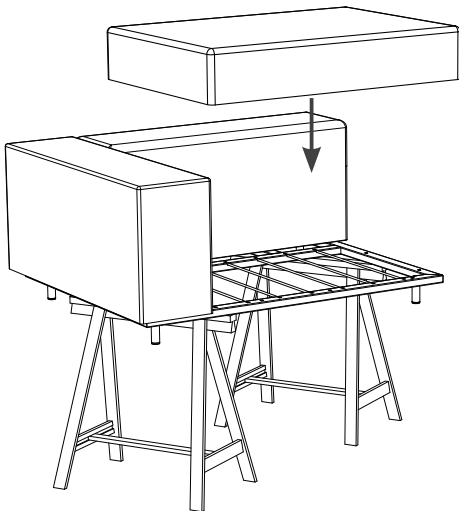
4. Introduzca 3 tornillos M8x20 con cada vez una arandela de muelle M8 por la parte inferior del chasis, de modo que éste llegue en la caja del cojín respaldo y fije con una tuerca capuchón M8.





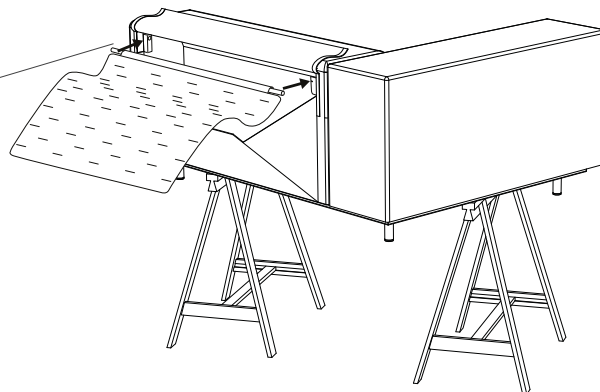
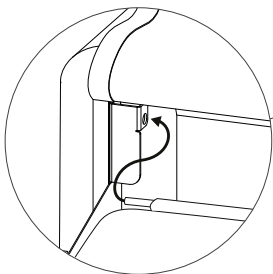
5. Ahora fije el cojín reposabrazos al chasis por medio de cada vez 3 tornillos M8x20 con cada vez una arandela de muelle M8. **CUIDADO:** Procure que los huecos coincidan, apriete luego todos los tornillos de los cojines reposabrazos y respaldo. **CONSEJO:** Fije primero el tornillo de la parte delantera ①, luego éste de la parte trasera ② y por último éste del centro ③.

Si quiere conectar los elementos entre ellos por medio del acoplador, es mejor hacerlo antes de fijar el cojín asiento sobre el chasis. Las instrucciones para conectar con el acoplador están en la página 71.



6. Coloque el cojín asiento ahora sobre el chasis y fíjelo por medio de cintas velcro alrededor de los 2 palitos centrales.

## OPCIONAL

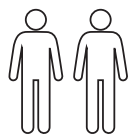


1. Abra primero la tapadera del cojín respaldo. Fije la pequeña manta en el cojín respaldo por medio del palito de fibra de vidrio suministrado (L = 985 mm).

2. Cubra el sofá con la manta y coloque el cojín.

## MONTAJE ASIENTO MEDIO

### UTENSILOS



2 personas



llave fija no. 17

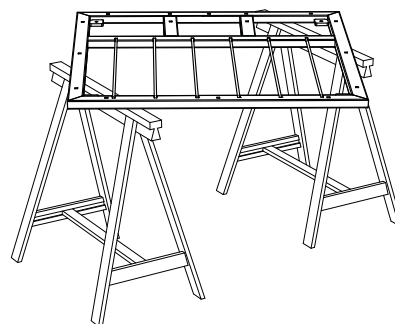


llave macho hexagonal no. 5

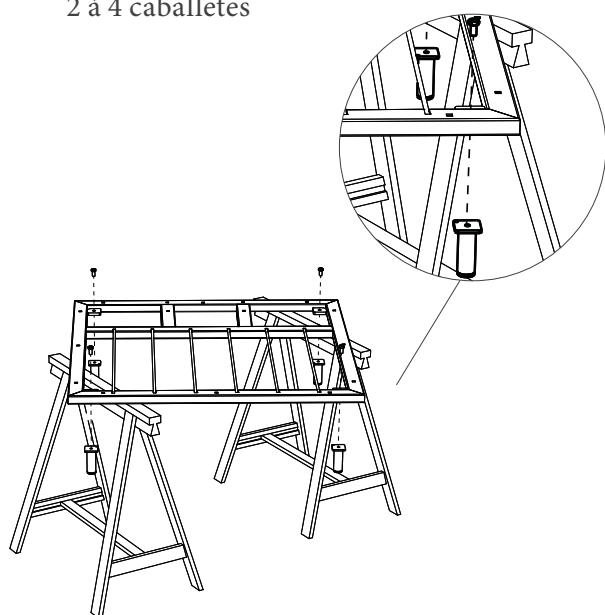


+/- 20 min.

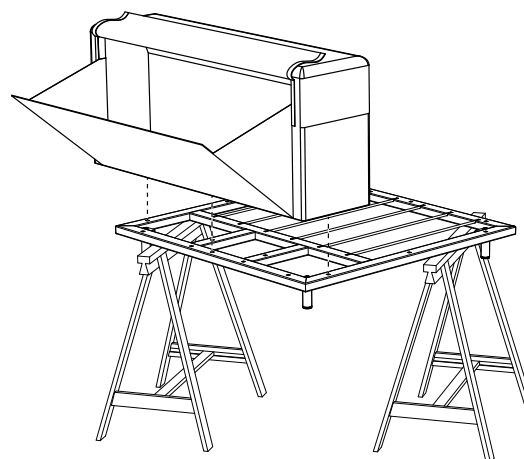
2 à 4 caballetes



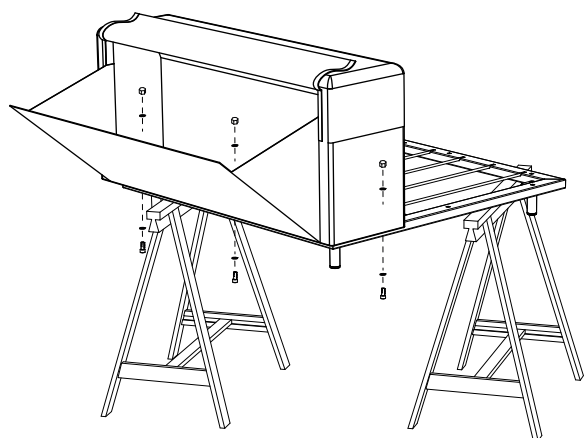
1. Ponga el chasis sobre caballetes (ello le facilitará el acceso a la parte inferior). **CUIDADO:** ponga el chasis con los palitos orientados hacia arriba.



2. Fije las 4 patas cada vez en los ángulos del chasis con un tornillo M10x20. Apriételos por medio de una llave fija no. 17.



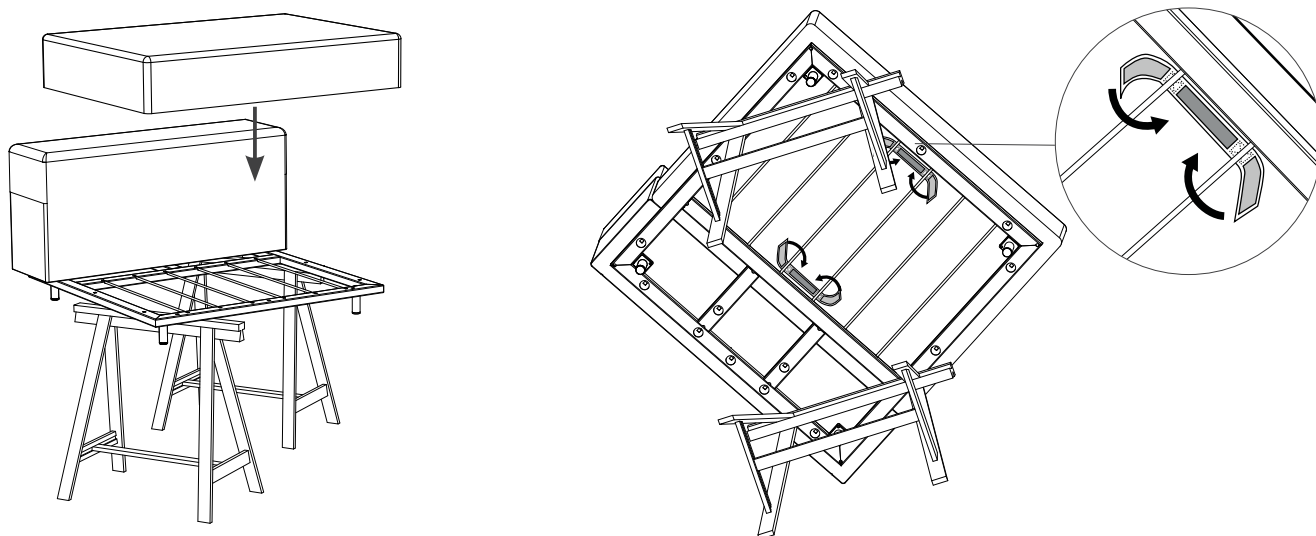
3. Coloque el cojín respaldo en la parte trasera del chasis (en el sitio donde no hay palitos) con el espacio de almacenamiento hacia el exterior. Procure que los huecos del chasis y los de la caja coincidan.



4. Introduzca 3 tornillos M8x20 con cada vez una arandela de muelle M8 por la parte inferior del chasis, de modo que éste llegue en la caja del cojín respaldo y fije con una tuerca capuchón M8.

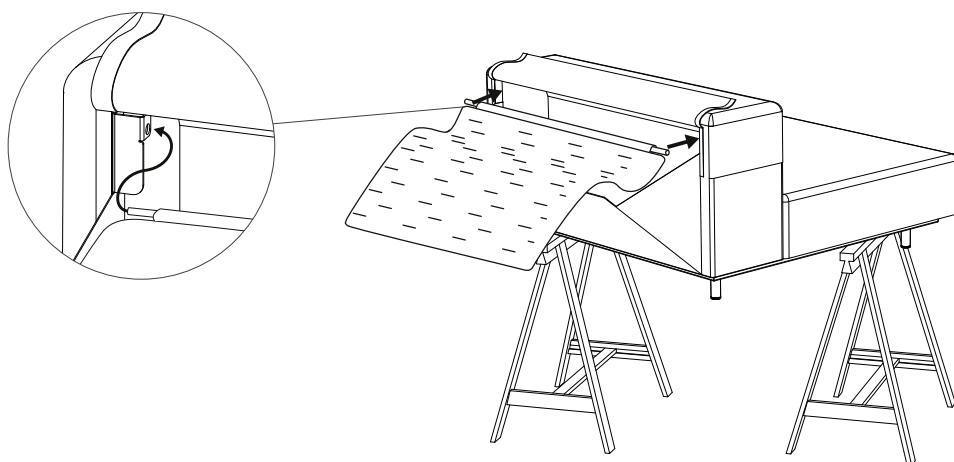


Si quiere conectar los elementos entre ellos por medio del acoplador, es mejor hacerlo antes de fijar el cojín asiento sobre el chasis. Las instrucciones para conectar con el acoplador están en la página 71.



5. Coloque el cojín asiento ahora sobre el chasis y fíjelo por medio de cintas velcro alrededor de los 2 palitos centrales.

### OPCIONAL



1. Abra primero la tapadera del cojín respaldo. Fije la pequeña manta en el cojín respaldo por medio del palito de fibra de vidrio suministrado (L = 985 mm).

2. Cubra el sofá con la manta y coloque el cojín.

# MONTAJE TABURETE

## UTENSILOS



1 persona

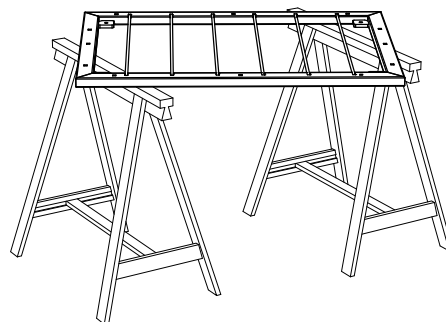


llave fija no. 17

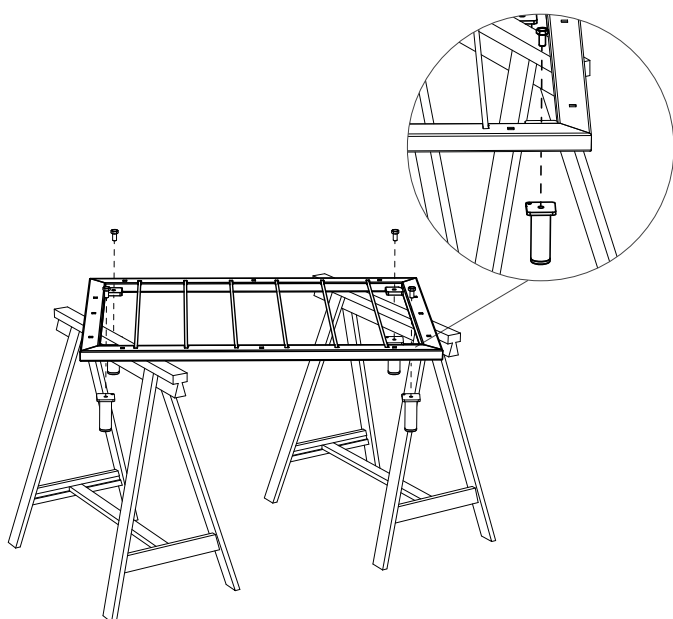


+/- 15 min.

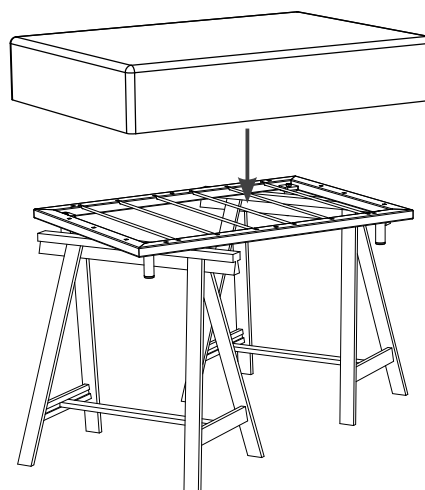
2 à 4 caballetes



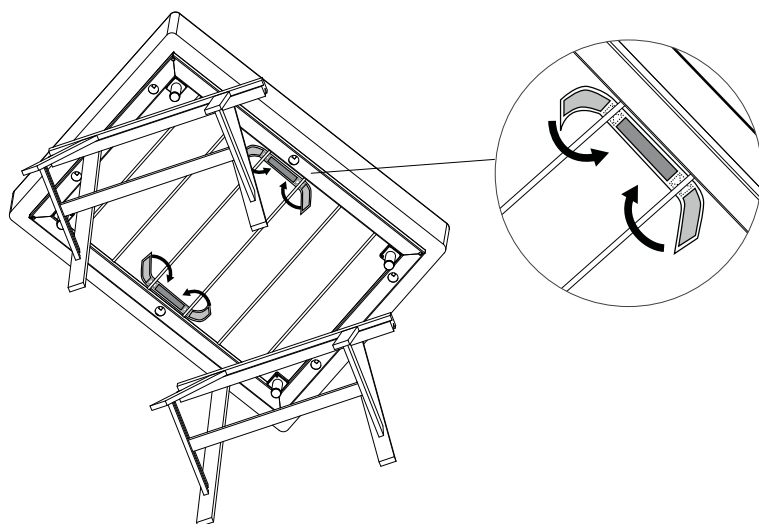
1. Ponga el chasis sobre caballetes (ello le facilitará el acceso a la parte inferior). **CUIDADO:** ponga el chasis con los palitos orientados hacia arriba.



2. Fije las 4 patas cada vez en los ángulos del chasis con un tornillo M10x20. Apriételos por medio de una llave fija no. 17.



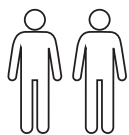
3. Coloque el cojín asiento ahora sobre el chasis.



4. fíjelo por medio de cintas velcro alrededor de los 2 palitos centrales.

## MONTAJE PIEZA DE CONEXION

### UTENSILOS



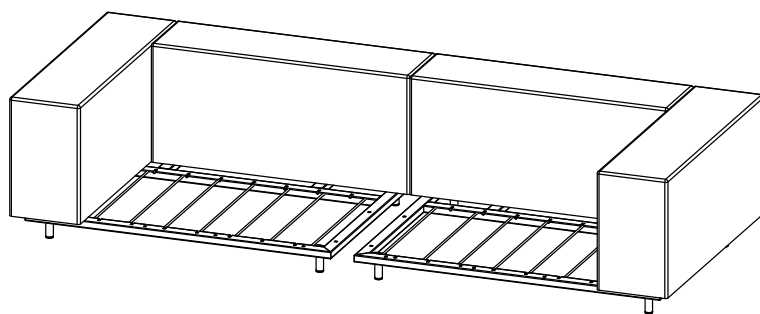
2 personas



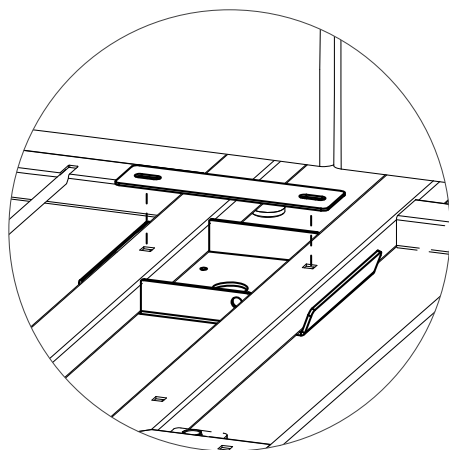
llave fija no. 17



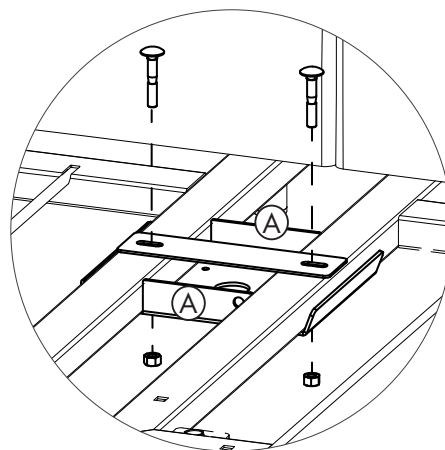
+/- 15 min.



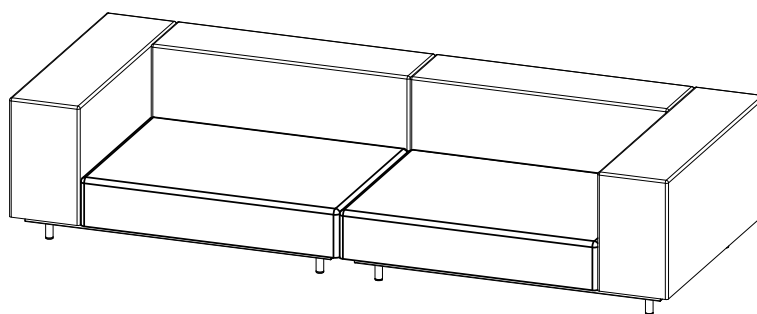
1. Coloque los elementos en la posición correcta donde quiere utilizar finalmente el sofá. Coloque los elementos el uno al lado del otro y alinéelos lo mejor posible.



2. Mantenga la base del acoplador por debajo, entre los dos chasis a altura de los huecos que han sido provistos para la fijación del acoplador. Meta la placa superior encima de los dos chasis a altura de los huecos que han sido provistos para la fijación del acoplador.



3. Fije la base y la placa superior por medio de los tornillos de cierre y las tuercas. Apretando las tuercas, los dos elementos serán atraídos el uno hacia el otro. Apriete hasta que los chasis sean atraídos completamente contra los listones verticales (A) de la base.



4. Ponga los cojines asiento en los chasis y fíjelos con las cintas velcro alrededor de los palitos de fibra de vidrio (véase p. 67 paso 6).

## MANTENIMIENTO

### GALVANIZADOS

La galvanización, o el zincado en caliente, es la manera más eficaz de evitar la formación de óxido en el metal. Sin embargo, cuando la capa de zinc está dañada, el metal expuesto se oxidará. Este daño es fácilmente remediable mediante la pintura de zinc, de color idéntico y de venta en tiendas.

La galvanización es un proceso en caliente y puede deformar ligeramente el material. Otros métodos de protección anticorrosiva no presentan esta desventaja, pero proporcionan una calidad insuficiente.

### TOLDO

Su sofá Walrus no necesita mucho mantenimiento, ya que todas las materias utilizadas son previstas de una película repelente a la suciedad. Gracias a esta película, la suciedad penetra menos rápido en el material, pero no evita que se produzcan polvo, suciedad o manchas en el sillón. Tal como todos los muebles de exterior, este sillón requiere un mínimo de mantenimiento. Es muy importante que siga minuciosamente las prescripciones de mantenimiento de Extremis, ya que otros métodos o productos pueden dañar irremediablemente las materias y la película repelente a la suciedad. Bajo el lema “más vale prevenir que curar”, algunas medidas preventivas le ayudan a guardar su sofá en buena condición por mucho tiempo. Tal como cualquier otro material, los materiales del sofá Walrus formarán una patina después de cierto tiempo. Esta patina no deteriora la calidad del material.

### LIMPIAR EL TOLDO

Para evitar manchas lo más posible le aconsejamos limpiar regularmente el sofá con agua tibia (máx. 40°C) y un jabón suave con un trapo limpio o una esponja suave.

Después de limpiar el sofá, déjelo secar al aire o séquelo con un trapo limpio para tener el mejor resultado.

### CONSEJOS PARA ELIMINAR MANCHAS

No deje que las manchas se impregnen en el toldo. Absórbelas inmediatamente con una esponja o un trapo suave y limpio.

Si luego todavía hay manchas visibles, límpielas con agua tibia (máx. 40°C) y un jabón suave. ¡Utilice solamente un trapo limpio o una esponja suave! (no utilice nunca el lado abrasivo de una esponja).

No frote fuerte y no utilice ningún producto abrasivo. Ello podrá dañar la capa protectora por lo que el toldo absorberá más fácilmente suciedades.

No se limite a limpiar las zonas sucias, sino también todo el toldo.

Si, después del tratamiento descrito en los puntos anteriores, todavía hay manchas rebeldes, puede limpiarlas con la esponja MiraClean suministrada. Sumerja la esponja en agua y frote sobre la mancha. También aquí no frote demasiado fuerte y demasiado largo, a fin de no dañar la capa protectora.

¿Después de este tratamiento, la mancha no ha desaparecido por completo? ¡Qué no cunda el pánico! La mancha se desvanecerá en gran parte bajo la influencia del sol.

Sobre todo nunca utilice disolventes o detergentes, como acetona, éter, gasolina, alcohol puro, productos que contienen ácidos o bases fuertes, agentes oxidantes fuertes, p. ej. lejía, limpiadores con sustancias abrasivas.

Evite en todo momento que rotuladores, lápices, bolígrafos u otros objetos para escribir entren en contacto con el sillón. Muchas veces han sido diseñados de forma tal que son muy difíciles a borrar hasta incluso indelebles.

No meta NUNCA el toldo en la lavadora ni en la secadora.

No se puede planchar el toldo.

### SUNBRELLA MANTA + COJÍN

#### LIMPIEZA DIARIA

Sacuda o cepille la lona para eliminar el polvo suelto.

Prepare una solución de 15 ml de limpiador o detergente para lavavajillas suave, por 1 litro de agua tibia.

Utilice una esponja o un cepillo suave para limpiar la tela.

Deje actuar la solución de limpieza en la lona.

Enjuague con abundante agua limpia hasta eliminar por completo la solución limpiadora.

Deje secar al aire libre. Sunbrella seca muy rápido al aire libre. No hace falta utilizar una secadora.

También es posible meter las mantas y las fundas de almohada en una lavadora (máx. 40°C). o utilice secadora no tintorería.

Cuando el tejido presenta arrugas, utilice una plancha, si necesario, pero sólo en la posición “sintéticos”. Como algunas planchas sobrepasan la temperatura recomendada en la posición “sintéticos”, debe primero probar un trozo discreto antes de planchar toda la lona. NO UTILICE ni plancha de vapor ni plancha en la posición “vapor”.



## CONSEJOS PARA ELIMINAR MANCHAS

Prepare una solución de 60 ml de lejía y 15 ml de limpiador suave por 1 litro de agua limpia. **TRUCO:** Proteja la zona alrededor de su tejido Sunbrella al utilizar una solución con lejía – la lejía puede desteñir los tejidos otros que el Sunbrella. Enjuague siempre con abundante agua limpia para eliminar por completo la lejía. Ponga cuidado con el entorno cuando limpia con lejía. La lejía puede tener efectos nocivos para el medio ambiente. Le aconsejamos no utilizar lejía si está rodeado de agua o de otro ambiente que puede ser dañado por la lejía.

Pulverice la solución sobre toda la superficie y deje actuar en la lona durante 15 minutos.

Elimine la mancha con una esponja, un trapo limpio o un cepillo muy suave.

Enjuague con abundante agua limpia para eliminar por completo el limpiador.

Deje secar la lona al aire libre.

En caso de una mancha rebelde y/o de moho, la cantidad de lejía puede ser mayor. Véase [https://trade.sunbrella.com/en\\_us/pdf/cleaning-sunbrella-upholstery-drapery.pdf](https://trade.sunbrella.com/en_us/pdf/cleaning-sunbrella-upholstery-drapery.pdf) para instrucciones más detalladas relativas al tejido Sunbrella

## PALITOS DE FIBRE DE VIDRIO

Las barras de fibra de vidrio no requieren un mantenimiento específico. Basta limpiar el polvo usando un trapo húmedo. Para evitar la irritación, no toque las extremidades de las barras.

## PONER CUIDADO EN SUS MUEBLES DE EXTERIOR

La atmósfera libre no es respetuoso con sus muebles. Lluvia, polvo, suciedad, árboles, animales, humedad, contaminación, aire de mar, ... Debido a todos estos factores sus muebles de exterior ya no van a lucir limpios. Tenga también en cuenta que la lluvia, el polvo y la suciedad serán más visibles según el color, la textura y los materiales. El blanco, por ejemplo, es un color más sensible.

Aunque solamente utilizamos los mejores materiales que se pueda encontrar en el mercado, no hay ningún material que no envejece con el paso del tiempo. Le aconsejamos cuidar bien sus muebles de exterior y limpiarlos de vez en cuando, según las circunstancias en que son utilizados.

## AVISOS

### ESPONJA MÁGICA

Sólo emplee la esponja Miraclean cuando una limpieza normal con agua tibia, jabón suave y una esponja suave no es suficiente.

Si aún quedan manchas persistentes después de la limpieza (véase el manual del producto), es posible quitarlas mediante las esponjas suministradas. Humedezca la esponja con agua regular y frote las manchas. **Frote ligeramente** para evitar manchas opacas.

**No hace falta usar detergentes.** Basta emplear agua.

La esponja MiraClean está elaborada con resina de melamina y se desgasta conforme se usa. La esponja es muy fácil en el empleo et da 26 veces más rápido resultado que un paño de microfibras tradicional.

La esponja elimina las manchas las más rebeldes sin esfuerzo especial.

**No use nunca esta esponja para superficies de alto brillo.**

La esponja MiraClean es la solución para eliminar manchas rebeldes, como las producidas por rotuladores, grasa, zapatos, cal, café, té. Se puede utilizar la esponja MiraClean en toldos, PVC, vidrio, acero, cromo, aluminio, porcelana, cuero sintético y diversos suelos.

Para obtener más información, póngase en contacto con Extremis: [info@extremis.be](mailto:info@extremis.be)

## IMANES

No deje objetos de hierro como agujas, cuchillos, herramientas en la proximidad de los imanes.

**Las personas con marcapasos no pueden entrar en contacto con el campo magnético.**

Mantenga a distancia del campo magnético los aparatos eléctricos y tarjetas con datos.

Mantenga los imanes alejados de fogones de fuego abierto y de calor.

## OTRO

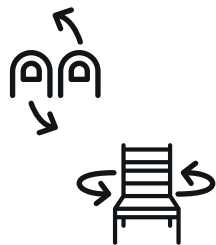
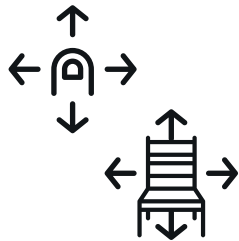
Elimine inmediatamente la suciedad.

Cuando no se emplea el cojín y la manta por mucho tiempo, ¡guárdelos en casa!

## CHASIS + PATAS CON PINTURA EN POLVO

Limpiar con agua tibia y detergente suave.

**{extremis**  
*tools for togetherness*



## **3D PLANNER & CONFIGURATOR**

Check out the Extremis app:  
Take a picture of your garden  
and drag&drop tools for  
togetherness in it!

[WWW.EXTREMIS.BE](http://WWW.EXTREMIS.BE)

# {extremis

*tools for togetherness*

**Extremis NV**  
Couthoflaan 20b  
B - 8972 Poperinge  
t +32 57 346020  
info@extremis.be  
www.extremis.be



for more products go to  
**WWW.EXTREMIS.BE**

All images, ideas, designs and design content are the intellectual property of Extremis and may not be copied, imitated or used, in whole or in part, without the prior written permission of Extremis.