

Tolomeo classic LED wall w/ S bracket aluminum

SPECIFICATIONS

TOL1104



Design By

Michele De Lucchi
Giancarlo Fassina

Collection

Design



Specifications

Delivered lumens	358lm
Light output ratio	34.42lm/W
Power consumption	10.4W
Led type	9W Array*
CCT (Correlated Color Temperature)	3000K
CRI (Color Rendering Index)	>80
Life expectancy	50000Hrs
Control type	DIMMABLE (On Head)
Input Voltage	120-240V
Driver	Plug-In

Colors & Finishes

Aluminum

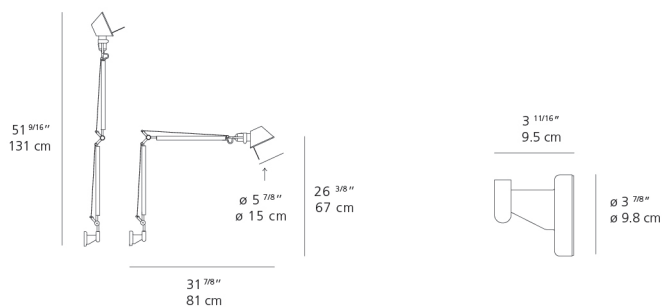
Materials

- Arms and diffuser in aluminum
- Joints and tension control knobs in polished die-cast aluminum
- Tension cables in stainless steel
- S-Bracket in polished die-cast aluminum

Features & Accessories

- Fully adjustable, articulated arm structure
- Tiltable and rotatable diffuser (90 degrees in both directions)

Dimensions



Packaging

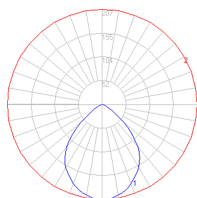
2 Boxes

1 x 10-5/16" x 7-9/16" x 33-3/16" / 3.99 lbs - 26 cm x 19 cm x 84 cm / 1.809 kg

1 x 4-7/16" x 4-7/16" x 4-7/16" / .55 lbs - 11 cm x 11 cm x 11 cm / .25 kg

Light distribution

Direct



Red = Max Cd. Through Vertical plane

Blue = Max Cd. Through Horizontal plane

Luminaire weight

2.44 lbs / 1.11 kg

Warranty

5 year limited warranty