

T-Lamp

MARCEL WANDERS STUDIO



Based on the concepts of movement, grace and energy, the T-Lamp by Marcel Wanders visually reminds us of the fluidity and light motion of Alexander Calder's kinetic mobiles.

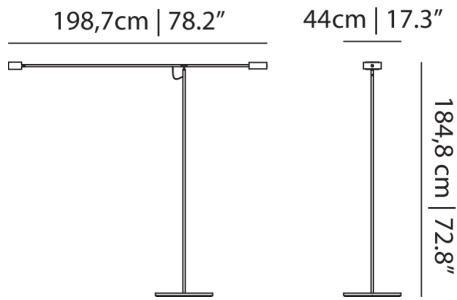
Detailing



The T-Lamp has a solid marble foot. The movable arm and head enable you to move the light through your room and shine wherever you desire light.

T-Lamp

Dimensions



Product

WIDTH 198cm | 78"

HEIGHT 184cm | 72.4"

DEPTH 44cm | 17.3"

WEIGHT NETTO 19.6kg | 43.21lbs

Packaging

WIDTH 48.2cm | 19"

HEIGHT 49cm | 19.3"

CUBAGE 0.57m³ | 20.18ft³

LENGTH 242cm | 95.3"

WEIGHT 40kg | 88.18lbs

Technical CE

MATERIAL

Steel frame, marble base and counterweight

ENERGY LABEL

A++

LIGHTSOURCE INCLUDED

Yes

INPUT VOLTAGE

180-240

MAX POWER CONSUMPTION

20W

LAMPHOLDER

LED (Solid state)

CABLE COLOUR

Black

CABLE LENGTH

350cm | 137.8"

COLOUR TEMPERATUE

2700 K

LIGHT DIRECTION

All directions

LIGHTSOURCE TYPE

LED

NUMBER OF LIGHTSOURCES

1

FREQUENCY

50/60

DIMMABLE

Yes

LIFETIME

50000 hours

PLUG TYPE

US plug (Type A)

SWITCH

In line rotary dimmer switch integrated in power supply housing

CRI

80

LIGHT OUTPUT

1150 lm

Technical CU

MATERIAL

Steel frame, marble base and counterweight

ENERGY LABEL**LIGHTSOURCE INCLUDED**

Yes

INPUT VOLTAGE

120-277

MAX POWER CONSUMPTION

20W

LAMPHOLDER

LED (Solid state)

CABLE COLOUR

Black

CABLE LENGTH

350cm | 137.8"

COLOUR TEMPERATURE

2700 K

LIGHT DIRECTION

All directions

LIGHTSOURCE TYPE

LED

NUMBER OF LIGHTSOURCES

1

FREQUENCY

50/60

DIMMABLE

Yes

LIFETIME

50000 hours

PLUG TYPE

US plug (Type A)

SWITCH

In line rotary dimmer switch integrated in power supply housing

CRI

80

LIGHT OUTPUT

1150 lm

Dimmer

For fluent dimming behaviour we advise a dimmer that is compatible with the following specs.

DIMMER TYPE

Dimmer on power cord

Please note the functioning of the dimmer and the power supply combination can never be predicted, it always needs to be tested in practice.
