

# HermanMiller Renew™ Table Installation

Base product number (DU)



## How to assemble your table

Illustrations and specifications are based on the latest product information available at the time of publication. The right is reserved to make changes in design and specifications at any time, without notice, and also to discontinue products.

For more information about our products and services or to see a list of dealers, For assistance: Please visit us at [www.hermanmiller.com/product-instructions](http://www.hermanmiller.com/product-instructions) or call 888-443-4357

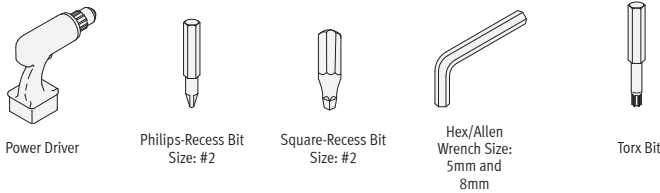
© 2015 Herman Miller, Inc., Zeeland, Michigan Printed in U.S.A. Part No. 1bc4vh - F.  
™ Renew is among the trademarks of Herman Miller, Inc.

### Notice:

Some of the parts have been wrapped to protect them during shipping. Remove the plastic wrap before assembling the table.

Assemble products on a protective surface.

### Tools Required



Use extension bit if required, Magnetic bits are recommended.  
Not all tools are used on all tables.

## IMPORTANT SAFETY INSTRUCTIONS

When using an electrical furnishing, basic precautions should always be followed, including the following:

Read all instructions before using this furnishing.

**DANGER** - To reduce the risk of electric shock always unplug this furnishing from the electrical outlet before cleaning.

**WARNING** - To reduce the risk of burns, fire, electric shock, or injury to persons:

Close supervision is necessary when this furnishing is used by, or near children, invalids, or disabled persons.

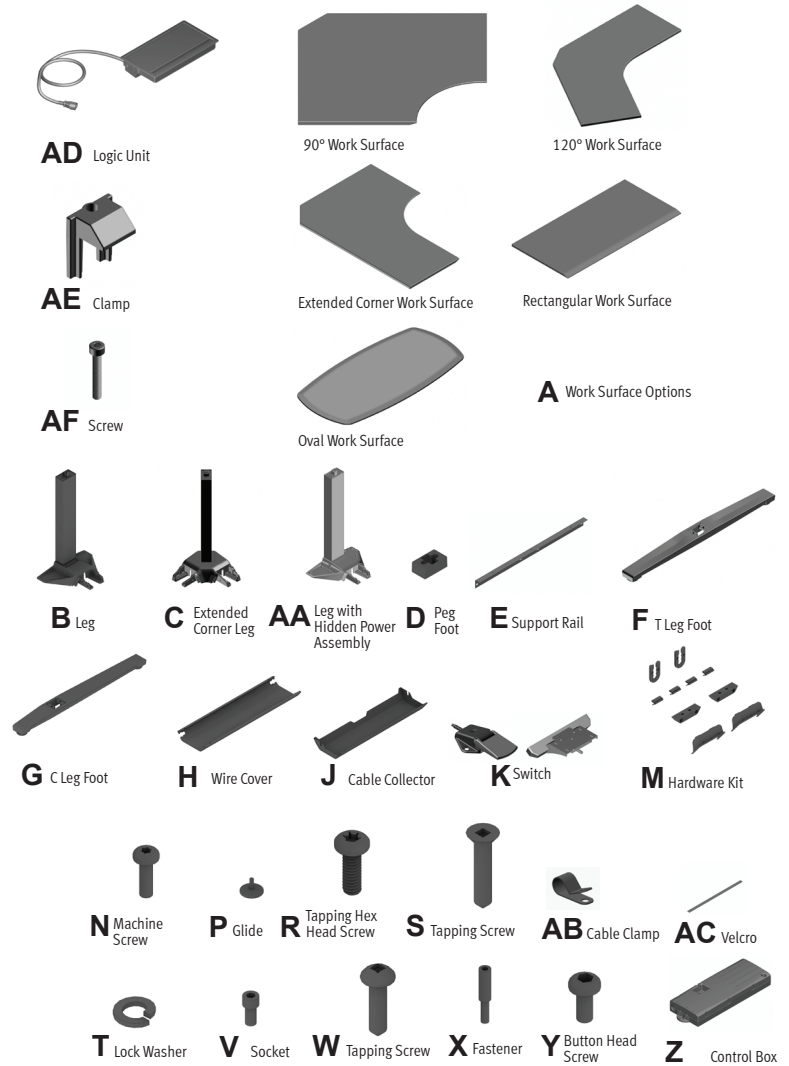
Sitting or standing on product may cause risk of personal injury (use for chairs, tables consider obvious misuse of product).

Use this furnishing only for its intended use as described in these instructions. Do not use attachments not recommended by the manufacturer.

Never operate this furnishing if it has a damaged cord or plug, if it is not working properly, if it has been dropped or damaged, or dropped into water. Return the furnishing to a service center for examination and repair.

SAVE THESE INSTRUCTIONS

### Parts Included



Note: Not all the parts shown above are applicable for all the tables.

Failure to fully tighten screws (bolts) may cause injury by causing Renew tables to collapse. Tighten screws (bolts) until they stop plus a quarter turn.

Periodically check to make sure legs are properly aligned. Failure to do so may cause risk of personal injury.

If using power drive set on low torque.

Keep the cord away from heated surfaces.

Never drop or insert any object into any opening.

Do not use outdoors.

Do not operate where aerosol (spray) products are being used or where oxygen is being administered.

This furnishing is intended for commercial use

control box rating: 4.8A, 120V

Max FPDU rating: 15A, 120V

Duty cycle: 1min on, 18min off

**⚠ WARNING  
RISK OF INJURY**

When furnishing is combined with FFH Credenza, it is not to be used in a location where children or people with cognitive disabilities are anticipated to be present.

**WARNING** - Risk of Electric Shock – Connect this furnishing to a properly grounded outlet only. See Grounding Instructions.

For loading always put heavier items in the center and distribute the load.

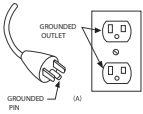
Maximum load rating is 120 lbs.

## GROUNDING INSTRUCTIONS

This product must be grounded. If it should malfunction or breakdown, grounding provides a path of least resistance for electric current to reduce the risk of electric shock. This product is equipped with a cord having an equipment-grounding conductor and a grounding plug. The plug must be plugged into an appropriate outlet that is properly installed and grounded in accordance with all local codes and ordinances.

**DANGER** – Improper connection of the equipment-grounding conductor can result in a risk of electric shock. Check with a qualified electrician or serviceman if you are in doubt as to whether the product is properly grounded. Do not modify the plug provided with the product. If it will not fit the outlet, have a proper outlet installed by a qualified electrician.

This product is for use on a nominal 120-volt circuit and has a grounding plug that looks like the plug illustrated in Sketch A. Make sure that the product is connected to an outlet having the same configuration as the plug. No adapter should be used with this product.



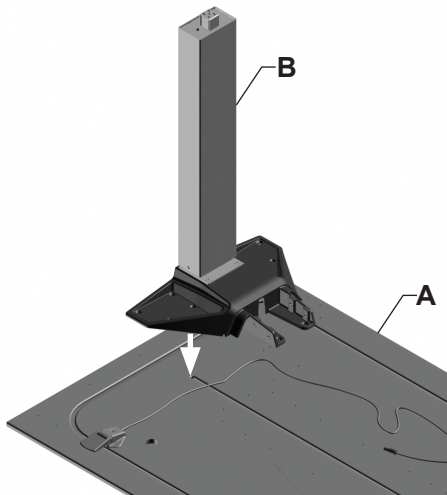
## Step 2

T & C Leg Installation (T & C options)

**WARNING -RISK OF TABLE TIPPING-**  
Make sure C legs are placed in correct location.

2.1 For C-leg find the qty(4) pre-drilled holes located on more towards back of the work surface. For T-leg use the center pre-drilled holes.

2.2 Ensure switch cable is properly positioned under top casting.



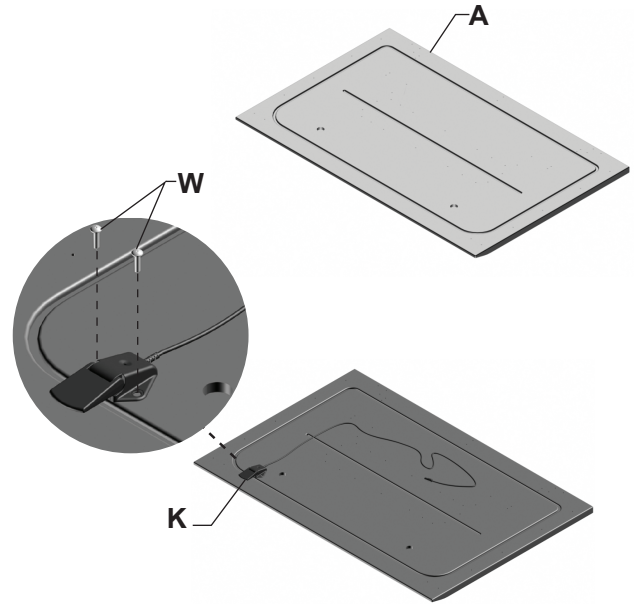
## Step 1

Switch Installation

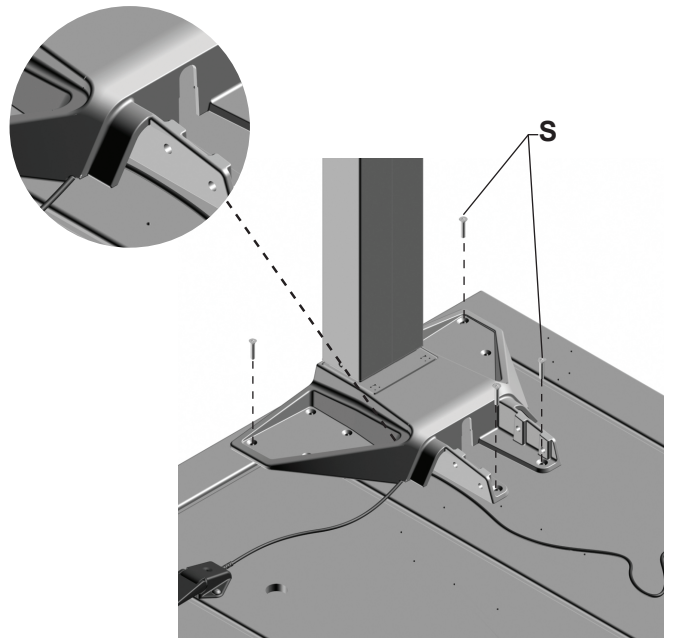
Note: If table is using the L0100 smart paddle kit, see instruction sheet 1BHGHZ for switch installation details.

1.1 Lay the Surface (A) upside down.

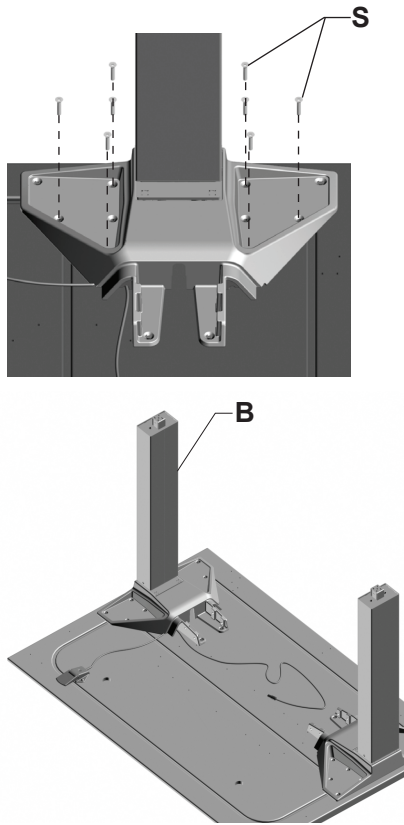
1.2 Pick the sides on the surface top where the power switch needs to be installed. Holes are pre-drilled on either side of the work surface. Install switch using Tapping Screws (Y).



2.3 Install the Tapping Screws (S) to the pre-drilled holes in leg in the order as shown in figure below.



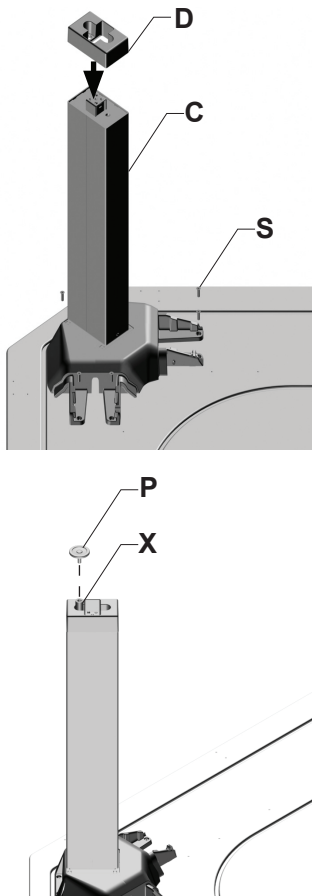
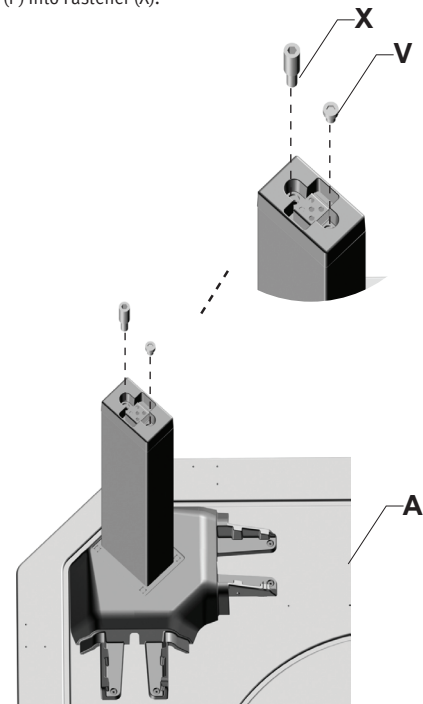
2.4 Install the remaining Tapping Screws (S) onto leg which is not pre-drilled. Do the same for other side.



### Step 3

#### Extended Corner Leg Installation

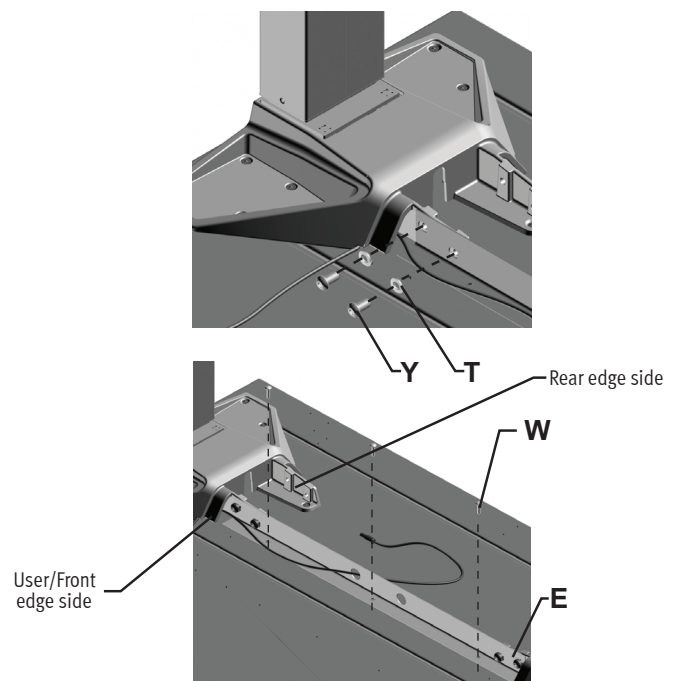
- 3.1 Align the holes on the Extended Corner Leg Top (C) Casting with the holes of work surface (A). Install Tapping Screws (S) using power driver.
- 3.2 Install Peg foot (D) to the leg and tighten the Fastener (X) and Socket (V) using allen wrench.
- 3.3 Install Glide (P) into Fastener (X).



### Step 4

#### Support Rail Installation

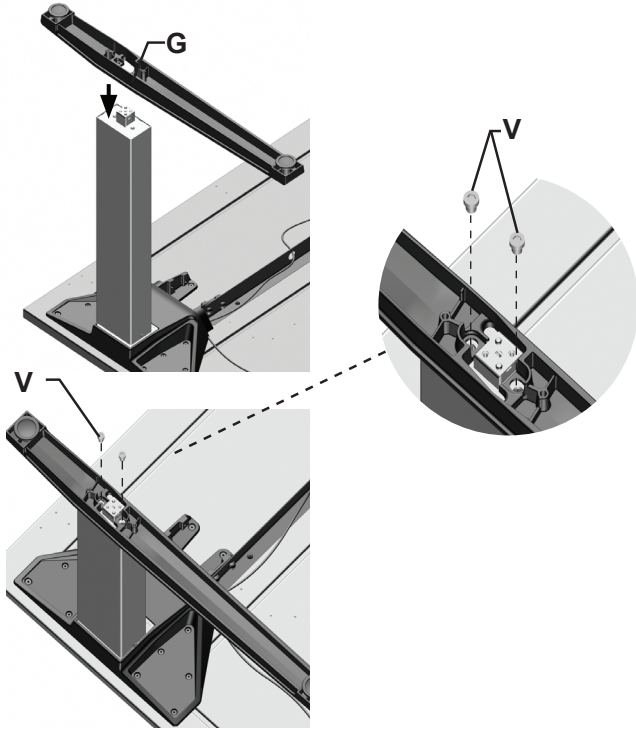
- 4.1 Attach the Support Rail (E) with Button Head Screws (Y) and Washers (T) to casting (User/Front edge side) and screw it down to the Work Surface (A) with Tapping Screws (W).
- 4.2 Switch cable should go through rail cable tie hole as shown.



## Step 5

### Foot Installation

5.1 Attach the Foot (G) to the leg using 2 Socket head cap screws M10 (V).

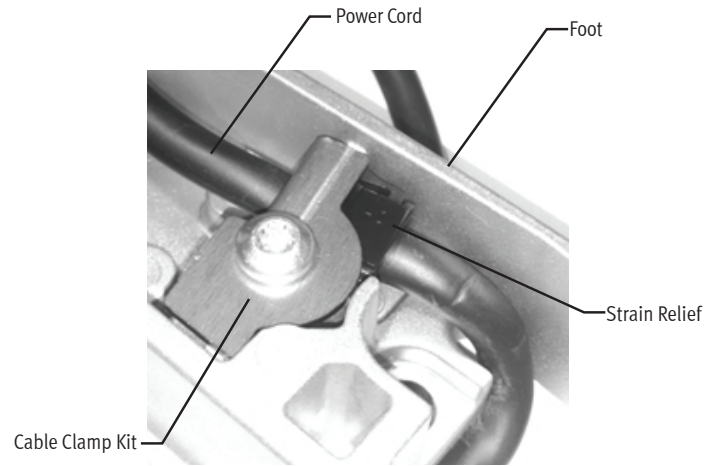


## Step 5A

### Foot Installation with the Leg with Hidden power assembly

5a.1 Attach the foot (G) to the leg using 2 socket head cap screw M10 (V)

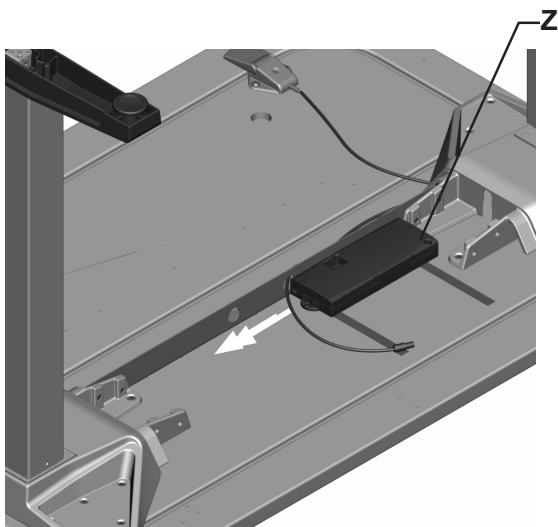
5a.2 Attach the power cord to the foot using cable clamp kit.



## Step 6

### Control Box Installation

6.1 Butt the Control Box (Z) to the inside of the rail and move to a location where all cable connections will properly attach.



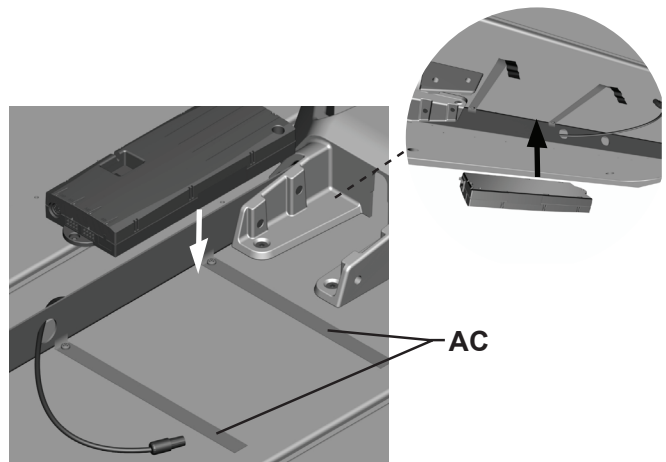
6.1 Attach Velcro "AC" to the worksurface by screwing 2 strips of velcro 8" apart with screws "W"

6.2 Attach the control box to the work surface using Velcro.

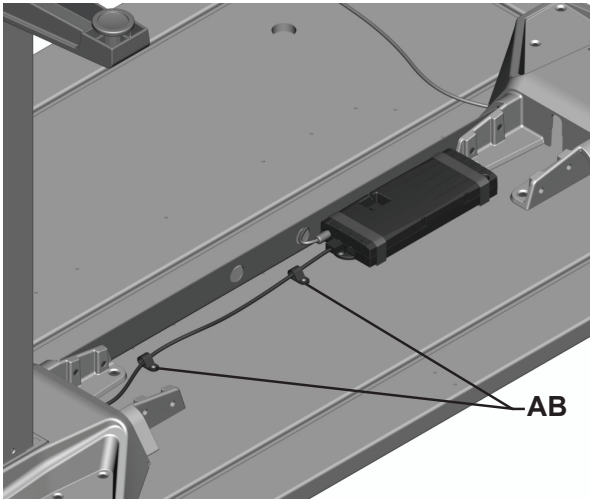
6.3 Plug in all cords to the control box in the following order.

1. Motor Cable into M1
2. Motor Cable into M2 (then M3 if necessary)
3. Control Switch
4. Power Cord

6.4 Use cable clamps "AB" to secure power cord to the bottom of the work surface, ensuring the cord does not hang down. Install the first clip 6" from the control box, then every 18" along the cord.



Note: Use of the Velcro provided will make the control box removable without tools.

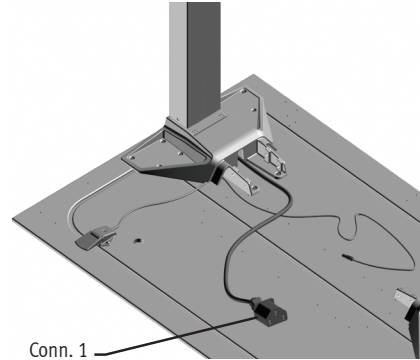


**Step 6A**

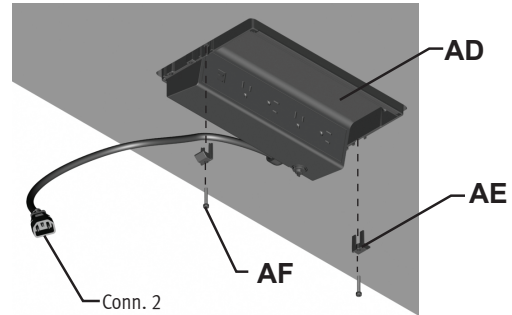
Note: If logic grommet - mounted electrical distributor is required, step 6A describes its installation and connection.

6a.1 Place the Y1425 power distributor in the table cutout as described in instruction sheet "1BCPV0".

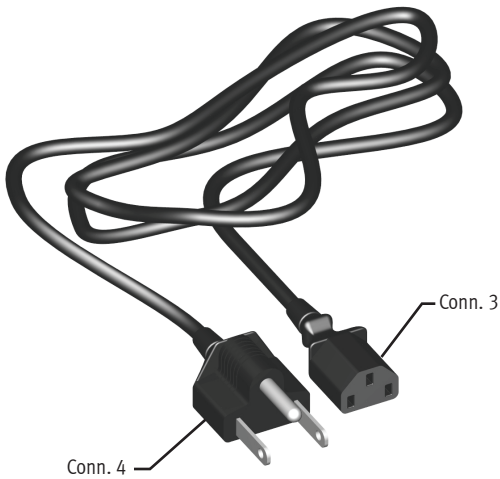
6a.2 Locate the power cord exiting from top of the leg with the Illustrated connector:



6a.3 Plug connector 1 from the leg into connector 2 on Y1425 Illustrated below

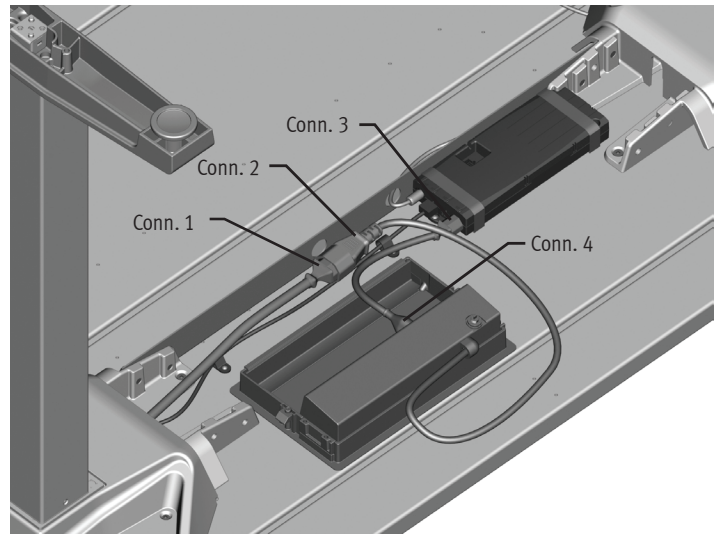


6a.4 Locate control box power cord shown below and note connectors 3 and 4.



6a.5 Plug Conn. 3 into the control box installed in step 6

6a.6 Plug Conn. 4 into any receptacle on Y1425



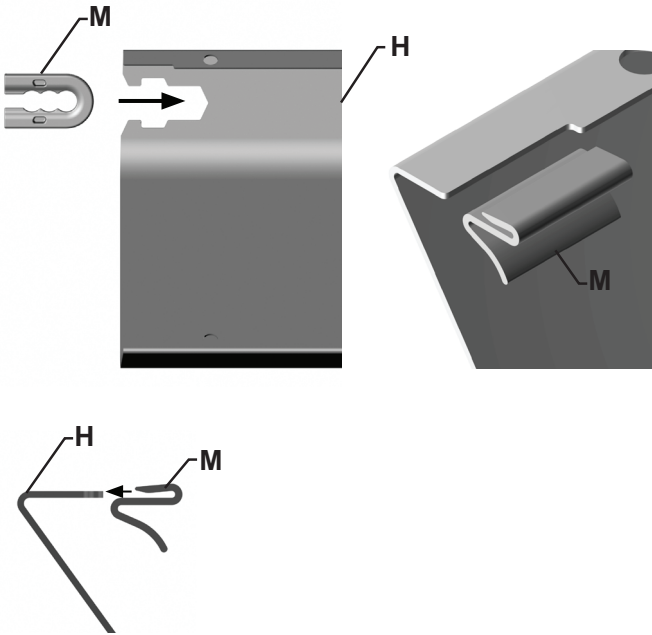


## Step 7

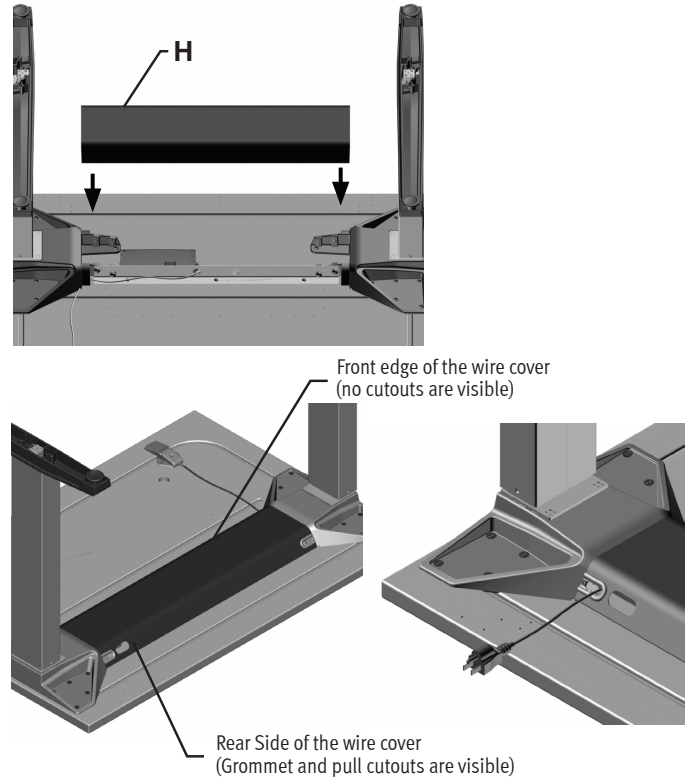
### Wire Cover Installation

7.1 Install qty (2) Grommets into Wire Cover.

7.2 Install qty (4) clips into corners of Wire Cover.



7.3 Snap the Wire Cover (H) on the leg casting which will cover all the power cords. Ensure front edge of the wire cover is facing the user side surface edge when assembling

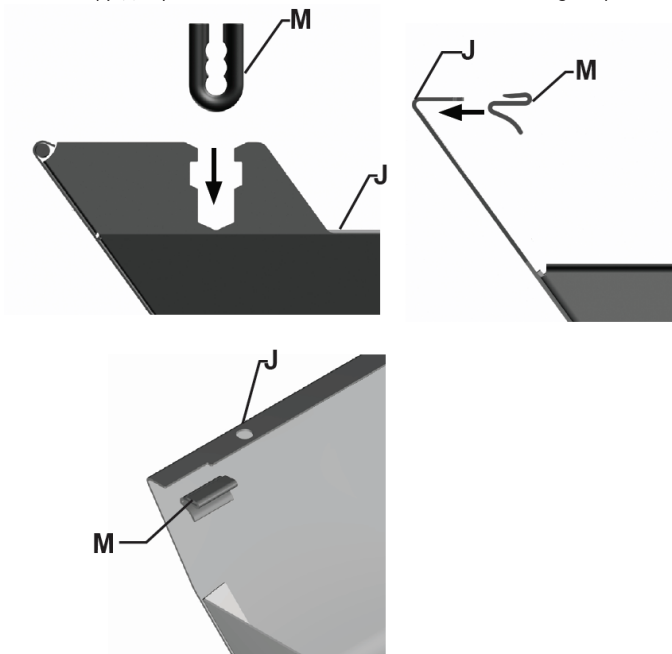


## Step 8

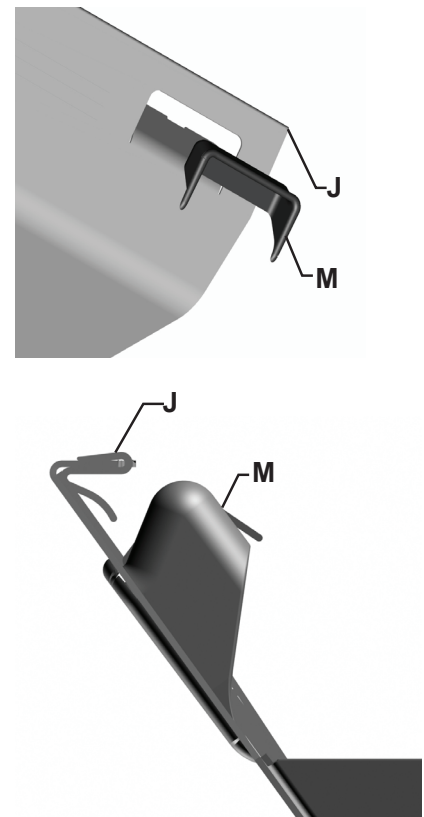
### High Density Cable Trough Installation

8.1 Install qty (2) Grommets into Cable Collector.

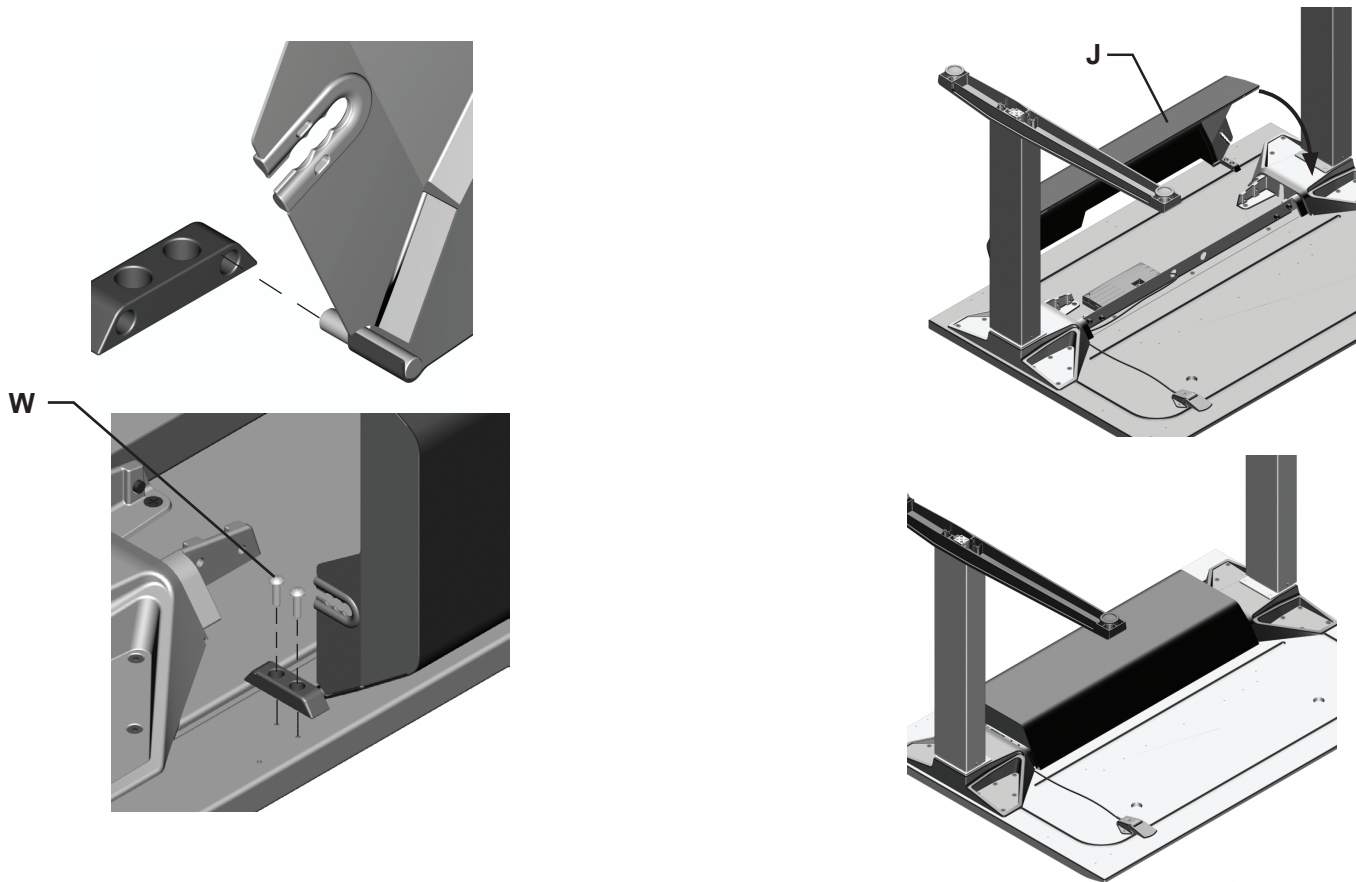
8.2 Install qty (2) clips into corners of Cable Collector. Discard remaining 2 clips.



8.3 Snap Qty(2) handles into Cable Collector.



8.4 Install Cable Collector (J) with work surface using Tapping Screws (W).



For Electric Tables

Initial Calibration

After assembly all electric tables must be calibrated to ensure smooth and trouble free movement.

1. Lower the table to the lowest height by pressing down on the paddle (or the down arrow – if programmable switch)
2. Continue to press & hold the control switch down until the table bottoms out the rises slightly indicating it has been initialized.

Note: The table will readjust itself as needed.

Follow-up Calibration

1. The table should be recalibrated if jerky or uneven movement is noted.

Container/Shelf Stop Directions – Simple Up/Down switch Setting

1. Adjust table to the desired upper or lower limit desired.
2. Find the black button underneath the switch, behind the paddle.
3. Hold the button for about 10 full seconds. Once the new stop has been initiated there will be a double click sound.

The new upper or lower limit now has been set.

Void Limits

1. Raise or lower the table to the new stop height.
2. Repeat holding the button for 10 full seconds. There will be a single click.

The new stop location is now voided.

UL recommended load limit: 120 lbs.

To disengage control box from table either lower the HD wire tray, or use finger access hole provided in the standard wire cover to remove cable management, then pull control box from underside of work surface.