

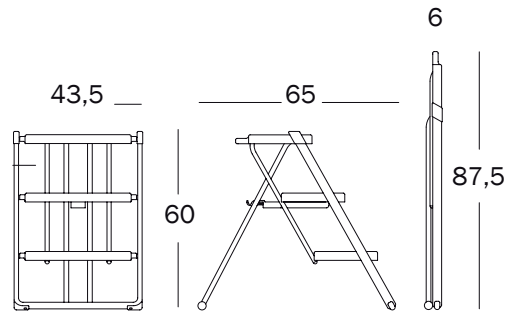
# Nuovastep

design **Andries & Hiroko Van Onck** / 1984/2003

Nuovastep is the evolution of a Magis best-seller. The ladder Step, presented at the Salone del Mobile in Milan in 1984, is the first in a series of pieces defined “forgotten designs”: everyday items for the home (from brooms to dish racks, bottle racks and stepladders). Nuovastep is made of chromed or epoxy painted steel tube, with steps in ABS, and it was redesigned in 2003 in order to obtain TÜV certification (compulsory nowadays for this type of product, but not back in the eighties when it was first created), thus guaranteeing its absolute safety and reliability.

## material /

frame in steel tube chromed or painted in epoxy resin. Steps in ABS. Blocking device in die-cast aluminium.



colours / ● ○ + ○ ●



Frame in steel / Painted white 5110  
Steps in ABS / White 1734 C



Frame in steel / Chromed  
Steps in ABS / Black 1750 C