

# nh S5 elliptic suspension

1279018A

## SPECIFICATIONS



### Design By

NERI&HU

### Collection

Design



### Specifications

Lamp type	LED-T (Non Integrated) ONLY
Lamp	max 2X15W E26/A19 + 4X5W LED E12/G16.5
Lamp Included	No
Control type	Dimmable 2-Wire
Input Voltage	120V
Power consumption	50W
Ballast	N/A

### Colors & Finishes

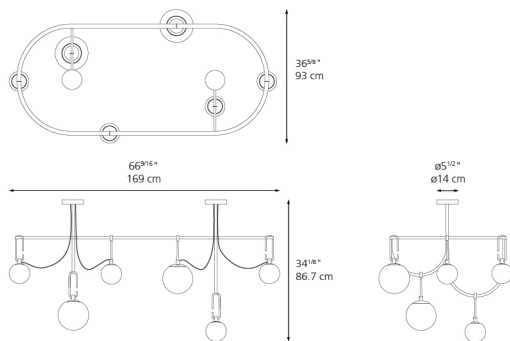
- White Glass (Diffuser)
- Brushed Brass (Ring)
- Black (Stem, Cable, Canopy)

### Materials

- Diffuser in white blown glass
- Adjustable ring in a brushed brass
- Structure in metal painted black

### Features & Accessories

### Dimensions



### Packaging

1 Box

1 x 37-1/2" x 74-7/8" x 37-1/2" / 76.06 lbs - 95 cm x 190 cm x 90 cm / 34.5 kg

### Light distribution

Diffused

### Luminaire weight

22.64 lbs / 10.27 kg

### Warranty

5 year limited warranty