

# nh S3 2 arms

1282018A

## SPECIFICATIONS



### Design By

NERI&HU

### Collection

Design



### Specifications

Lamp type	LED-T (Non Integrated) ONLY
Lamp	2X15W E26/A19
Lamp Included	No
Control type	Dimmable 2-Wire
Input Voltage	120V
Power consumption	30W
Ballast	N/A

### Colors & Finishes

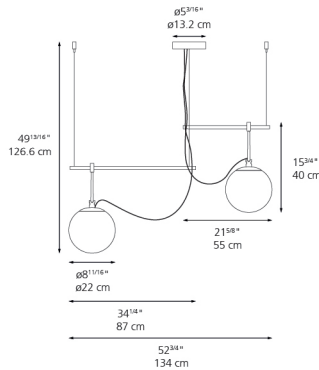
- White Glass (Diffuser)
- Brushed Brass (Ring)
- Black (Stem & Base)

### Materials

- Diffuser in white blown glass
- Adjustable ring in a brushed brass
- Structure in metal painted black

### Features & Accessories

### Dimensions



### Light distribution

Diffused

### Luminaire weight

7.72 lbs / 3.5 kg

### Packaging

3 Boxes

1 x 10-15/16" x 8-3/8" x 41" / 9.2 lbs - 27.5 cm x 21 cm x 104 cm / 4.175 kg

1 x 11-1/8" x 11-1/8" x 11-1/8" / 3.45 lbs - 28 cm x 28 cm x 28 cm / 1.565 kg

1 x 11-1/8" x 11-1/8" x 11-1/8" / 3.45 lbs - 28 cm x 28 cm x 28 cm / 1.565 kg

### Warranty

5 year limited warranty