

nh S3 14 suspension

1276018A

SPECIFICATIONS



Design By

NERI&HU

Collection

Design



Specifications

Lamp type	LED-T (Non Integrated) ONLY
Lamp	max 3X5W LED E12/G16.5
Lamp Included	No
Control type	Dimmable 2-Wire
Input Voltage	120V
Power consumption	15W
Ballast	N/A

Colors & Finishes

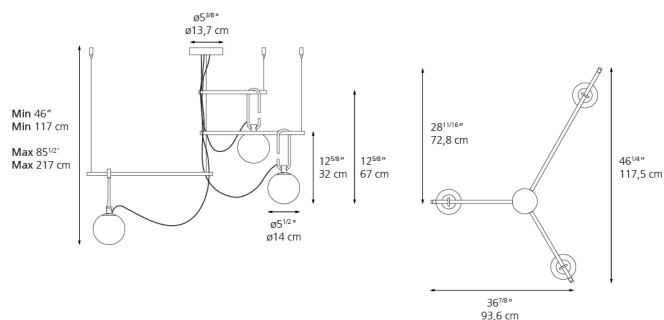
- White Glass (Diffuser)
- Brushed Brass (Ring)
- Black (Stem, Cable, Canopy)

Materials

- Diffuser in white blown glass
- Adjustable ring in a brushed brass
- Structure in metal painted black

Features & Accessories

Dimensions



Packaging

1 Box

1 x 43" x 18-9/16" x 9-1/8" / 14.54 lbs - 109 cm x 47 cm x 23 cm / 6.595 kg

Light distribution

Diffused

Luminaire weight

7.64 lbs / 3.47 kg

Warranty