

# nh S1 22 Suspension

1273018A

## SPECIFICATIONS



### Design By

NERI&HU

### Collection




Design



### Specifications

Lamp type	LED-T (Non Integrated) ONLY
Lamp	max 15W E26/A19
Lamp Included	No
Control type	Dimmable 2-Wire
Input Voltage	120V
Power consumption	13.5W
Ballast	N/A

### Colors & Finishes

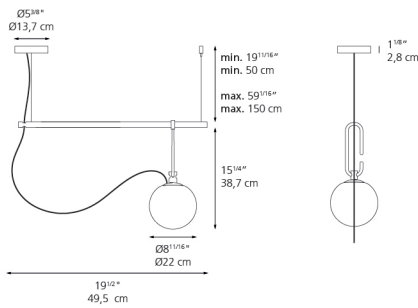
-  White Glass (Diffuser)
-  Brushed Brass (Ring)
-  Black (Stem, Cable, Canopy)

### Materials

- Diffuser in white blown glass
- Adjustable ring in a brushed brass
- Structure in metal painted black

### Features & Accessories

### Dimensions



### Packaging

2 Boxes

1 x 41-1/4" x 7-9/16" x 5-13/16" / 4.71 lbs - 104.5 cm x 19 cm x 14.5 cm / 2.135 kg

1 x 11-1/8" x 11-1/8" x 11-1/8" / 3.45 lbs - 28 cm x 28 cm x 28 cm / 1.565 kg

### Light distribution

Diffused

### Luminaire weight

3.97 lbs / 1.8 kg

### Warranty