

Logico triple linear suspension

SPECIFICATIONS

0455028A



Design By

Michele De Lucchi
Gerhard Reichert

Collection

Design



Specifications

Lamp type	LED-T
Lamp	max 3X100W E26/A19
Lamp Included	No
Control type	Dimmable 2-Wire
Input Voltage	120V
Power consumption	N/A
Ballast	N/A

Colors & Finishes

- Milky White (Diffuser)
- Pale grey (Body & Canopy)

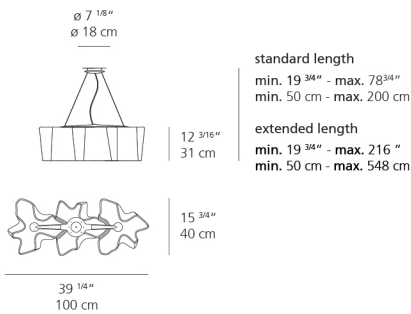
Materials

- Diffuser in handblown glass with satin finish
- Diffuser supporting frame in die-cast aluminum with matte lacquered finish
- Frame supporting cables in stainless steel
- Ceiling canopy in steel with thermoplastic cover

Features & Accessories

- Custom applications available
- Extended cable length

Dimensions



Packaging

4 Boxes

3 x 21-3/4" x 19-13/16" x 20-9/16" / 28 lbs - 55 cm x 50 cm x 52 cm / 12.7 kg

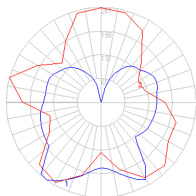
1 x 33-9/16" x 17" x 21-1/2" / 9.92 lbs - 85 cm x 43 cm x 29 cm / 4.5 kg

Light distribution

Diffused

Luminaire weight

59.09 lbs / 26.8 kg



Red = Max Cd. Through Vertical plane

Blue = Max Cd. Through Horizontal plane

Warranty

5 year Limited warranty