

Logico mini triple linear suspension

0697028A

SPECIFICATIONS



Design By

Michele De Lucchi
Gerhard Reichert

Collection

Design



Specifications

Lamp type	LED-T
Lamp	max 3X100W E26/A19
Lamp Included	No
Control type	Dimmable 2-Wire
Input Voltage	120V
Power consumption	N/A
Ballast	N/A

Colors & Finishes

- Milky White (Diffuser)
- Pale grey (Body & Canopy)

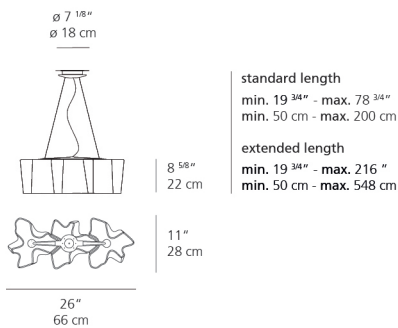
Materials

- Diffuser in handblown glass with satin finish
- Diffuser supporting frame in die-cast aluminum with matte lacquered finish
- Frame supporting cables in stainless steel
- Ceiling canopy in steel with thermoplastic cover

Features & Accessories

- Custom applications available
- Extended cable length

Dimensions



Packaging

4 Boxes

1 x 24-1/8" x 13" x 9-15/16" / 5.51 lbs - 61 cm x 33 cm x 25 cm / 2.5 kg

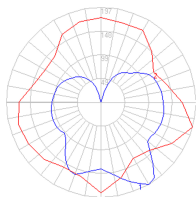
3 x 16-1/4" x 16-1/4" x 16-5/8" / 8.6 lbs - 41 cm x 41 cm x 42 cm / 3.9 kg

Light distribution

Diffused

Luminaire weight

16.98 lbs / 7.7 kg



Warranty

5 year Limited warranty

Red = Max Cd. Through Vertical plane
Blue = Max Cd. Through Horizontal plane