

Kartell



Bougie
Ferruccio Laviani



TRANSPARENCY 2.0

This product is the result of incessant research and innovation. Kartell was the first to use transparency in design and now, in a process of continuous evolution, is able to create its best-selling products and new concepts with a green version of polycarbonate as part of the “Kartell loves the planet” project.

It is a material that uses a renewable feedstock from the pulp and paper industry in the synthesis phase.

It is ISCC* certified, supporting the transition to a circular economy by ensuring traceability throughout the supply chain and enabling sustainable products to be sourced from any certificate holder.

The new polycarbonate 2.0 guarantees the structural and mechanical characteristics of the fossil feedstock and makes it possible to work on design and aesthetics without any restriction.

* (International Sustainability and Carbon Certification)

<https://www.iscc-system.org>

透明 2.0

本产品是不断研究和创新的成果。Kartell是首家在设计中使用透明材料的公司；如今，在不断发展的过程中，能够使用绿色版本的聚碳酸酯来创造其最畅销的产品和新概念，作为“Kartell爱地球”项目的一部分。

它是一种在合成阶段使用来自纸浆和造纸工业中的可再生原料制成的材料。它已获得ISCC*认证，通过确保整个供应链的可追溯性以及确保从任何证书持有者处采购可持续产品，支持向循环经济的过渡。

新型聚碳酸酯2.0，保证了化石原料的结构和机械特性，从而可以不受任何限制地对设计和美观进行打造。

* (国际可持续发展与碳认证 International Sustainability and Carbon Certification)

<https://www.iscc-system.org>

INFORMATIONS PROVIDED BY THE PRODUCER FOR THE PURCHASER

Materials Body: New 2.0 transparent or mass-dyed polycarbonate, a material that uses renewable feedstock from the pulp and paper industry in the synthesis phase.

The process used for the production of the material is ISCC certified* (International Sustainability and Carbon Certification);

Light bulb: E14 Max 3x28W 220-240V~ 50/60Hz

Note: this product datasheet complies with the provisions of the law governing "Consumer Information" envisaged by Legislative Decree no. 206 of 6 September 2005 (Consumer Code), supplementing and/or replacing Law no. 126 of 10 April 1991 on "Consumer Information Regulations", as well as Decree no. 101 of 8 February 1997 "Implementing Regulations".

Maintenance instructions: disconnect the lamp from the power supply and clean the product with a damp cloth and soap or neutral liquid detergents diluted with water. **Do not use ethyl alcohol or detergents that contain even small amounts of acetone, trichloroethylene or ammonia (or solvents in general).**

WARNING

Carefully read instructions for product use, equipment safety is only guaranteed when observed. Therefore they must be kept.

Do not shield the product with objects or clothing that jeopardize operations. Disconnect the power supply upon installation and whenever touching the light bulb. Only use the indicated type of lightbulb and do not exceed set maximum power. If the equipment power cord is damaged it must only be replaced by qualified personnel using an identical spare part.

Kartell will accept no liability for any damages caused to property or persons subsequent to incorrect handling of the product. If the assistance of the manufacturer is required to rectify faults arising from incorrect installation or use, this assistance is not covered by the guarantee.

制造商致购买者声明

主体材料： 新型透明或通体染色的聚碳酸酯2.0材料，在其合成阶段中使用源自纤维素和造纸工业的可再生原材料。材料的生产过程获得ISCC认证*（国际可持续发展和碳认证）。

灯泡 E14 Max 3x28W 220-240V~ 50/60Hz

本产品说明书符合2005年9月6日颁布的第206号法令（《消费者法》）中关于“消费者信息”的法律规定；该法令补充和/或替代1991年4月10日颁布的、包含“消费者信息规则”的第126号法令以及1997年2月8日颁布的第101号法令《实施条例》。

维护说明 拨开电灯电源，用浸透皂液或中性清洗剂 稀释 的湿布清洁本产品

避免使用乙醇或含有小剂量丙酮，三氯乙烯和氨（溶解）的清洗剂。

注意

请仔细阅读产品使用说明，产品安全仅在遵照使用说明下才获得保障，因此请务必小心保管

请勿以其它物品或布料盖住本产品，而损害产品使用

请在组装产品和触摸灯泡时拨开电源 请使用所指示的灯泡类型，并且不可超过设定的最大功率

若电源线损坏，必须让专门人员使用原始备件来替换

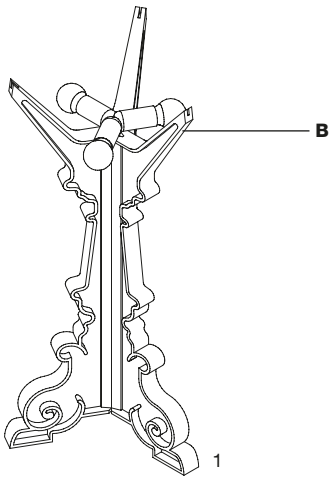
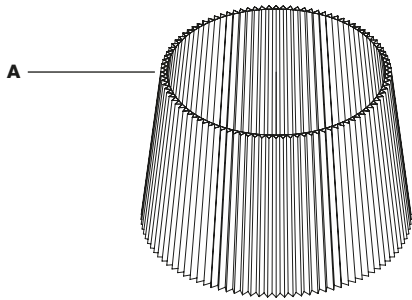
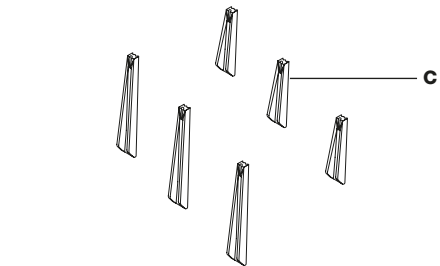
企业联合拒绝对由于使用不当而造成的所有损失负任何责任。
本保证不包含某些类型的辅助设备或由于对产品使用不当而造成的损坏的修理和赔偿。

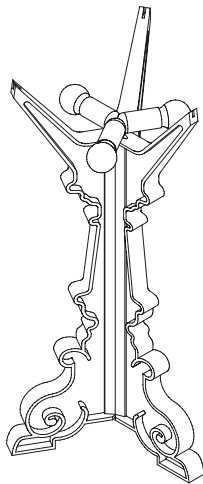
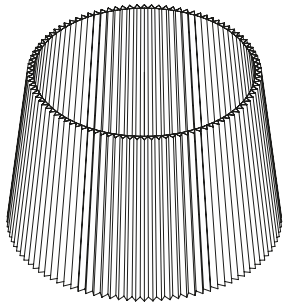
ASSEMBLY INSTRUCTIONS

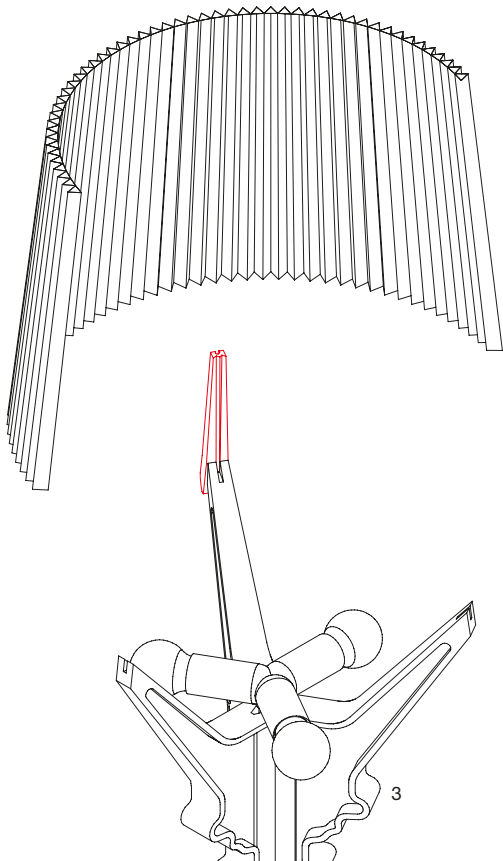
- 1 Unpack the single elements: hood (a), structure (b), spacers packet (c);
To better satisfy the customer's personal taste, the lamp has been designed to be assembled at three different heights - 68, 73 and 78 cm.
- 2 To assemble h 68 cm: slide the hood of the lamp into the special seats, without using the spacers.
- 3 To assemble h 73/78 cm: apply the 50/100 mm spacer – shown in red in the drawing – to the arm of the structure, pushing until it clicks into place. Slide the hood into the special seats on the spacer.

组装说明

- 1 拆开下列单个元件的包装：灯罩（a），灯体（b），一包垫片（c）；
为了更好地满足顾客的个人需要，该灯设计成可以组装为三种不同的高度：68cm、73cm和78cm。
- 2 组装为68cm的高度：将灯罩滑入定位支座中，这时不需要使用垫片。
- 3 组装为73或78cm的高度：将50或100mm的垫片（图中显示为红色）插入灯体的支架臂上，直至听到咔哒的到位声音，再将灯罩滑入垫片上的定位支座中。
为了日后能够调整灯的高度，建议保留垫片及其包装袋。









USER INFORMATION ON RECYCLING

If this symbol is found on a Kartell product, it must be disposed of separately from domestic waste. Product recycling: Do not dispose of lighting equipment or electrical components with domestic waste. In fact, in some countries or regions, electric and electronic material is collected separately for recycling. For further information, contact your local authorities, if recycling systems are not available, return lighting material or components to the store where they were purchased.



关于再回收的用户须知

如果 Kartell 的产品上带有此标志，意味着该产品应与家庭垃圾分开处理。

产品的再回收：勿将灯体或电气部件与家用垃圾一起处理，在某些国家或地区会设有专门的分类收集系统，用以处理电气或电子类的垃圾。

欲了解详情，请联系当地政府；如果不具备分类收集系统，请将灯体或其元部件返还给您购买本品时的商店。





FOLLOW US ON WECHAT



DISCOVER
BOURGIE

CN Copyright © Kartell S.p.A. 10/2020



STAMPATO SU CARTA RICICLATA - PRINTED ON RECYCLED PAPER - AUF RECYCLING-PAPIER GEDRÜCKT
IMPRIMÉ SUR PAPIER RECYCLÉ - IMPRESO EN PAPEL RECICLADO - IMPRESSO EM PAPEL RECICLADO - 再生紙にプリント
在再生紙上印刷 - 재생지 인쇄 - ОТПЕЧАТАНО НА БУМАГЕ, ПОЛУЧЕННОЙ В РЕЗУЛЬТАТЕ ВТОРИЧНОЙ ПЕРЕРАБОТКИ - مطبوعة على ورق معاد تدويره

Kartell

Via delle Industrie, 1 • 20082 Noviglio MI • t. +39 02 90012 1 • f. +39 02 9009 1212 • kartell@kartell.it
www.kartell.com