

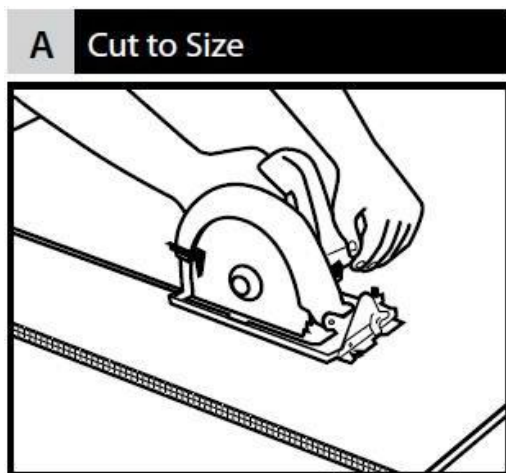
# SUNTIHO Polycarbonate U-shaped System Hollow Sheet

## Installation Instructions

### Installation Steps:

A. Cut the sheet to prescribed length

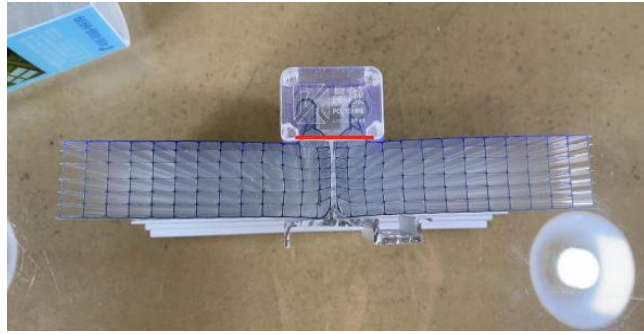
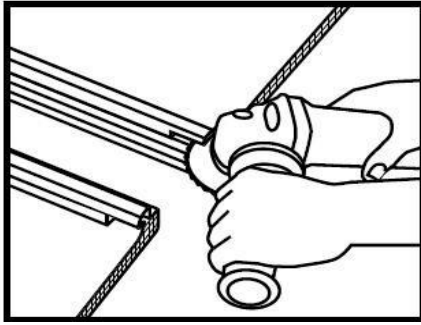
The overhang of the sheets of each end should no less than 100mm, which we recommend to be cut by circular saw or hand-saw, into at least 150mm to reach the gutter.



B. Make an incision in the lock strip (red line part) ,to insert the U profile

Cut horizontally each side of the lock strip of the sheets into 18mm by using small cutting disc (2mm thick). The cut should not damage the sheet surface and remain horizontal to the sheet surface. Clean up the scraps after completed the cutting before the installation.

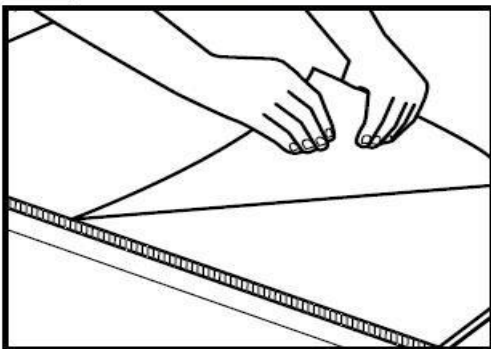
**B Slit for Alu Sealing Strip**



**C. Remove under protective film**

Place the first sheet and remove its under protective film. Keep this side away from the purline to avoid any scratching until final position.

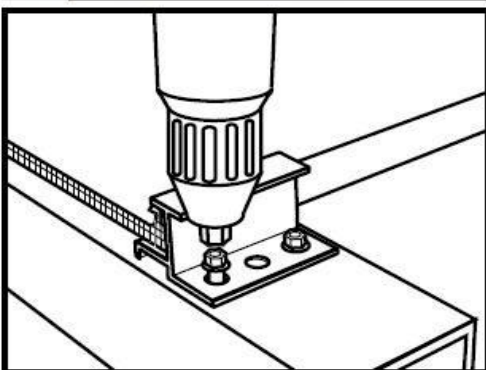
**C Remove Inner Masking**



**D. Fix the T-fastener**

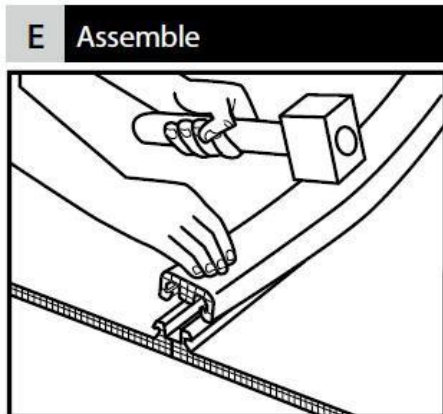
Along sheet on remaining purline, place T fasteners against the purline and fix it with hex head fixings.

**D Fix T-Bar Fasteners**



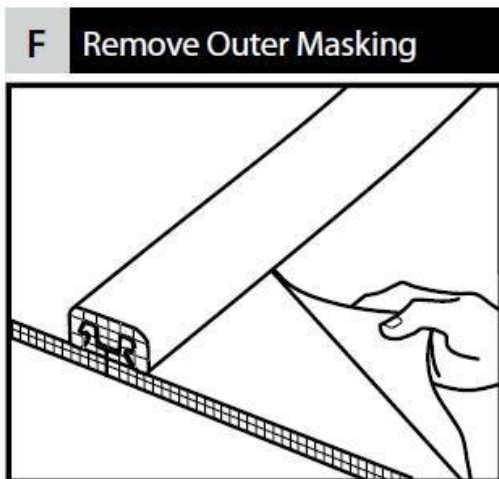
### E. Assembly

Remove under protective film of second sheet and place it against T fastener. Using a rubber mallet, start to fix the U connector, locking the 2 sheets together by striking with short intervals (5-10cm) along the connector. Fix the connector from the end of the sheet to the top of the roof.

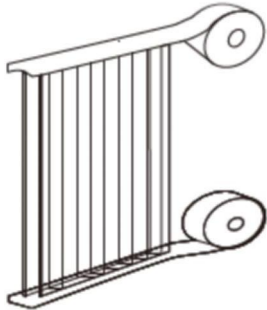


### F. Remove upper protective film

Remove 50mm of the upper protective film along the sheet ends, and the rest of the film should be removed immediately when installation is completed.

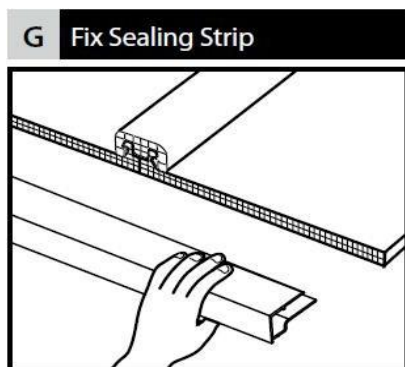


G. Tape the top and bottom edges of the sheet with aluminum foil tape.



H. Install the U-Profile

U-profile is designed to fit for sheets tightly. Install it by pushing one end on and slowly tap it until it is firmly napped in. U-profile could be installed by rubber mallet or by hands.



I. Insert PC end-Cap

Insert the polycarbonate end-cap in both end of the connector by pushing.

