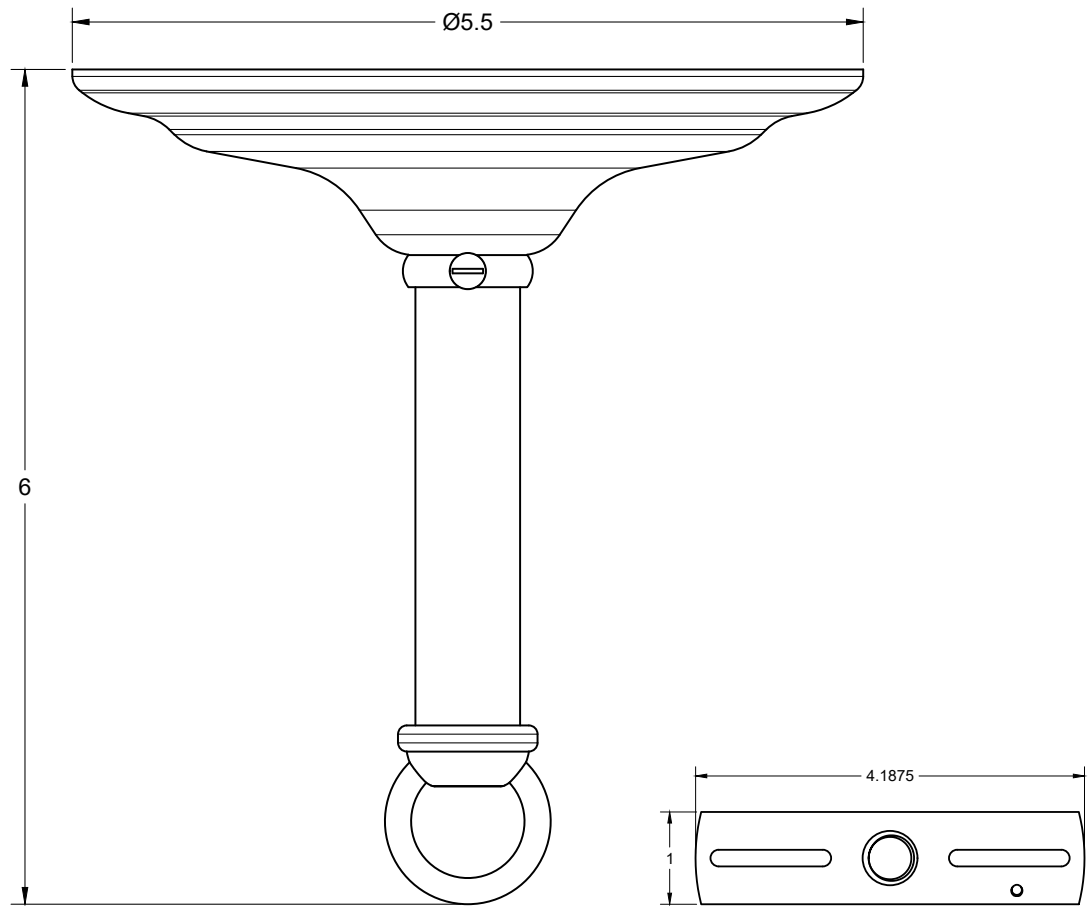




SMALL CERAMIC CANOPY

Natalie Page • Email [sales@nataliepage.com](mailto:sales@nataliepage.com) • Instagram [@npagestudio](https://www.instagram.com/npagestudio)  
3747 Ridge Ave., Philadelphia, PA 19132





**DIMENSIONS:**

- Ceramic Canopy: ~5.5" DIA x ~1.5" H
- Brass Stem + Loop: ~4.5" L

**MATERIALS:**

Ceramic canopy, brass stem and loop,  
steel crossbar

---

