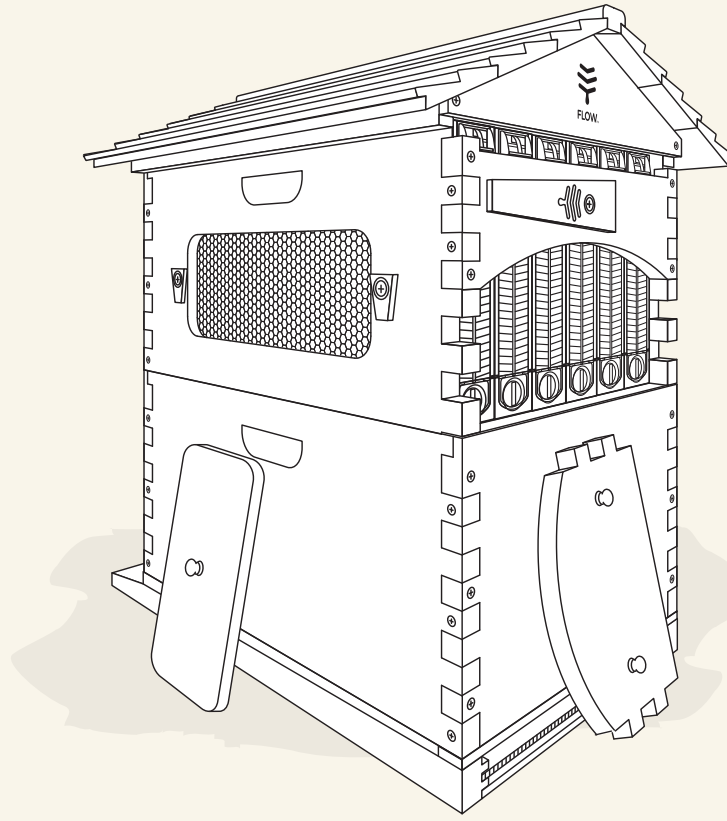


Which Flow Hive is right for me?

Newbee or beek?

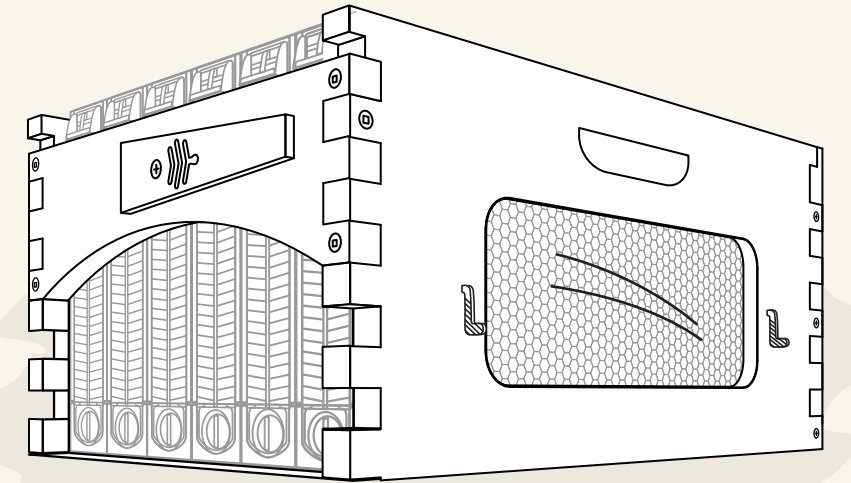


New to beekeeping

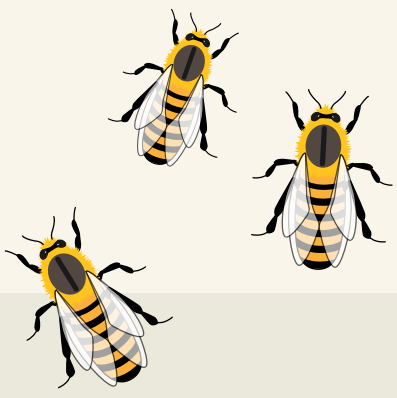


- A complete Flow Hive is perfect for beginners – it includes a Flow Super, brood box, and full complement of Flow Frames.
- We recommend getting a beekeeper suit and smoker.
- Consider a Flow Bundle – as well as a Flow Hive, it includes all the gear you need (at a special price).

Experienced beekeeper

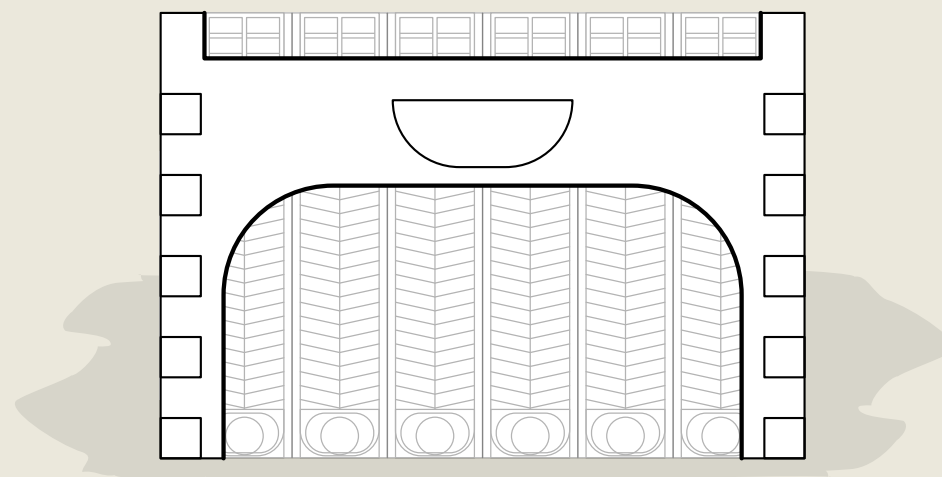


- Flow Hive's specially designed base creates the optimal harvesting angle, making the complete hive a popular choice for experienced beekeepers.
- Alternatively, if you don't want a completely new set-up, add a Flow Super to an existing Langstroth hive or modify your own super to add Flow Frames.



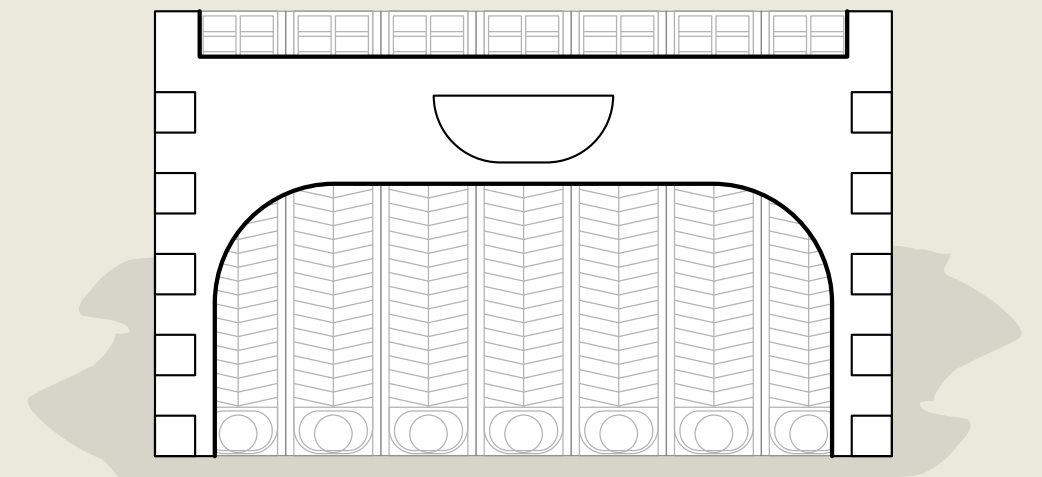
Which width?

6 Frame



- Compatible with 8 frame Langstroth equipment
- Widely used around the world
- Great way to get started in beekeeping
- Lighter to lift

7 Frame



- Compatible with 10 frame Langstroth equipment
- Often used in regions with colder winters
- Greater capacity for honey storage and yield



Which timber?

Western Red Cedar



- Premium option
- Most durable
- Natural rot resistant properties
- Light weight
- Sustainably harvested
- Fine timber grain with beautiful, rich colour variation
- Maintain a natural timber finish by oiling or staining

Araucaria



- More economical
- Highly durable
- Australian native softwood timber
- Sustainably harvested
- Perfect canvas to create your own personalised hive design
- Requires two coats of weatherproof sealant (such as low voc exterior house paint)