

OLIVIA SCONCE



OLIVIA SCONCE

DESCRIPTION

The Olivia sconce has a bench-crafted brass rectangular frame that highlights the glass globe making it the focal point of the fixture.

LAMPING

We suggest the use of LED bulbs under 40 Watts. In order to reduce the consumption of electricity and to ensure the lifetime guarantee of our products. Incandescent bulbs emit heat that can cause damage to the luminaire overtime.

1 x E26 base. 120VAC.

Ships with complimentary Tala Porcelain I bulb.

SPECIFICATIONS

Materials: Brass, Glass (All metal finishes are lacquered).

Dimming compatible.

Indoor or Outdoor use.

This item is made-to-order with a 12-14 week production lead time prior to shipping.

METAL FINISH



Brushed Satin Brass



Oil Rubbed Brass


Finish samples available upon request.

CERTIFICATIONS


cUL, UL Certified.

CE certification available upon request.


Dry or Damp Location Rated



GLASS FINISH



Milk Glass



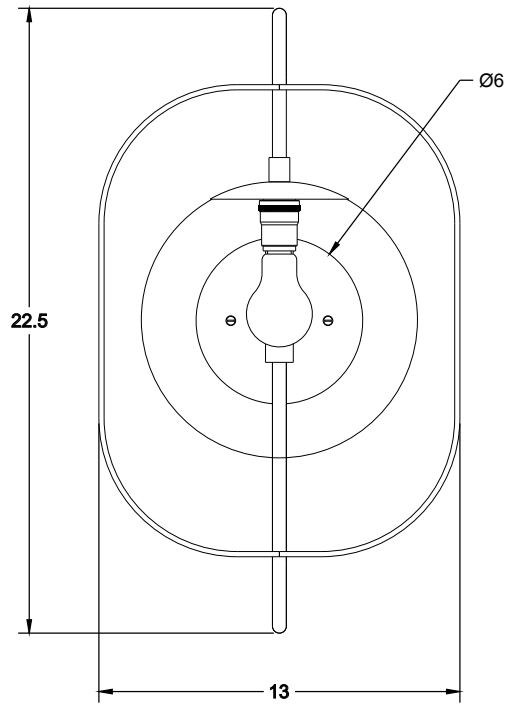
Clear Glass

PRODUCT CARE

Please care for the brass pieces with a soft cloth. Avoid using any abrasive cleaners or products. Natural patina process is quickened by touch and exposure.

Gloves are recommended for installation.

OLIVIA SCONCE - FRONT



DIMENSIONS

- Overall Dimensions:
- 13" W X 14" D X 22.5" H
 - Backplate: 6" Diameter
 - Globe: 10" Diameter
 - Weight: 12.25 lbs

OLIVIA SCONCE - SIDE

