

MIA SCONCE



MIA SCONCE

DESCRIPTION

The Mia Sconce is capped with a suspended hand-hammered bronze shade that reflects a warm glow.

LAMPING

We suggest the use of LED bulbs under 40 Watts. In order to reduce the consumption of electricity and to ensure the lifetime guarantee of our products. Incandescent bulbs emit heat that can cause damage to the luminaire overtime.

E12 Lamp Base. 120VAC.

Ships with complimentary Candelabra LED bulb.

SPECIFICATIONS


Materials: Bronze, Brass, Glass (All finishes are lacquered)

Hand-hammered shade.


Dimming compatible.

This item is made-to-order with a 10-12 week production lead time prior to shipping.

SHADE FINISH



Hammered Satin
Bronze



Hammered Oil
Rubbed Bronze


Finish samples available upon request.

CERTIFICATIONS

cUL, UL Certified.

CE certification available upon request.

Dry and damp location rated.



ARMATURE AND BACKPLATE FINISH



Brushed Satin
Brass



Oil Rubbed
Brass



Brushed Satin
Nickel


Finish samples available upon request.

PRODUCT CARE

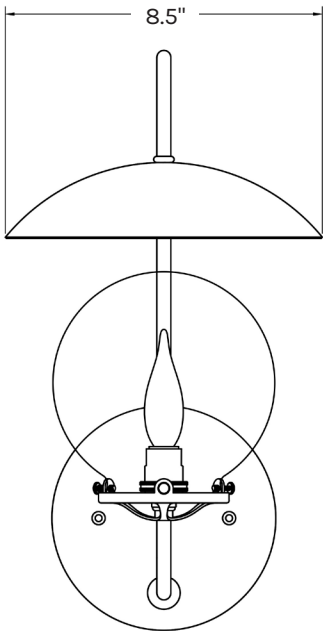
Please care for the brass pieces with a soft cloth. Avoid using any abrasive cleaners or products. Natural patina process is quickened by touch and exposure.

Gloves are recommended for installation.

GLASS FINISH



Clear Glass

FRONT	DIMENSIONS
	<p>Overall Dimensions:</p> <ul style="list-style-type: none">- 8.5" W x 11" D x 15.5" H- Globe: 6" Dia- Backplate: 6" Dia- Weight: 3.4 lbs
SIDE	
